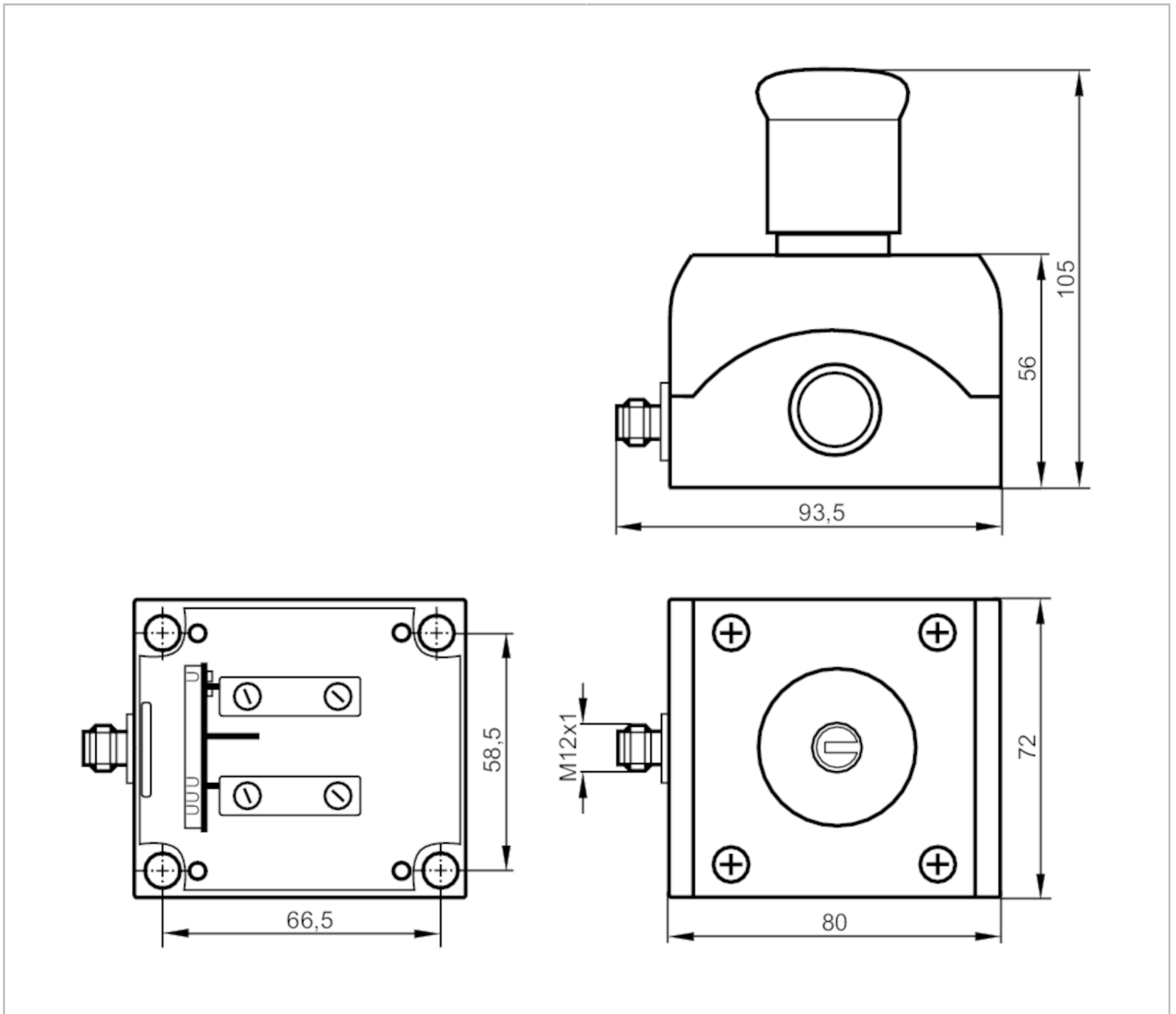


# AC011S



## Key-release E-STOP with integrated AS-i connection

E-stop key switch IP67



### Application

Application

fool-proof E-STOP to EN ISO 13850

### Electrical data

Operating voltage [V]	26.5...31.6 DC
Current consumption [mA]	< 50

### Inputs

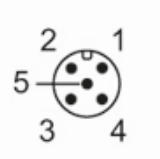
Input circuit of digital inputs	PNP
Sensor supply of the inputs	AS-i
Voltage supply [V]	20
Input current low [mA]	< 4
Digital inputs protected against short circuits	yes

# AC011S



## Key-release E-STOP with integrated AS-i connection

E-stop key switch IP67

Outputs		
Electrical design		AS-i
Operating conditions		
Ambient temperature	[°C]	-25...60
Protection		IP 67
Safety classification		
ISO 13849-1		Category 4, PL e
IEC 61508		SIL 3
Mission time TM	[h]	87600
AS-i classification		
AS-i version		2.1
Extended addressing mode		no
AS-i profile		S-7.B.E
AS-i I/O configuration	[hex]	7
AS-i ID code	[hex]	B.E
AS-i certificate		74601
Mechanical data		
Weight	[g]	343.5
Dimensions	[mm]	105 x 72 x 93.5
Material		PC-GF20
Remarks		
Pack quantity		1 pcs.
Electrical connection		
quick mounting technology for AS-i flat cable, IP 67:		
Connector: M12		
		
1	AS-i +	
2	not used	
3	AS-i -	
4	not used	
5	not used	