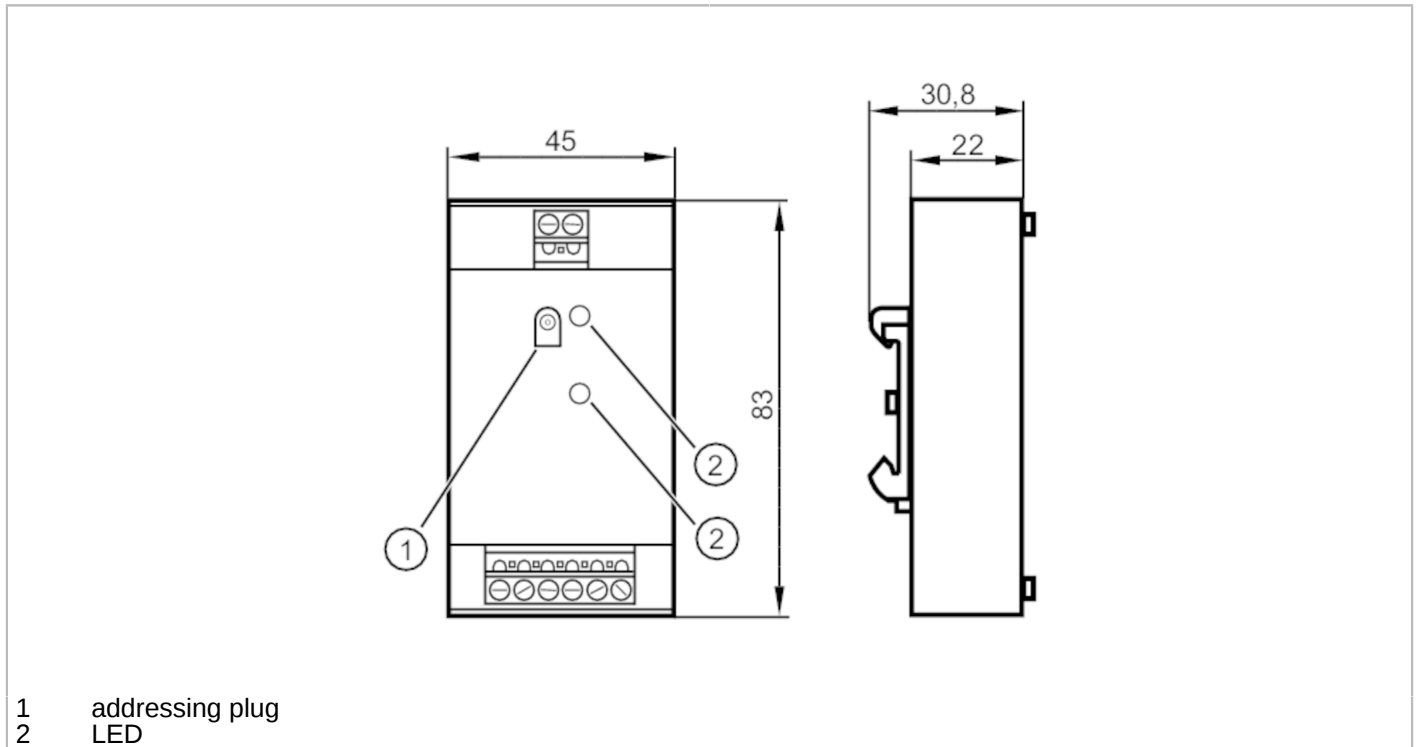


AC1155



AS-i / RS485 gateway

AS-i / RS-485 Gateway



Electrical data	
Operating voltage [V]	19.5...31.6 DC
Max. current consumption from AS-i [mA]	100
Reverse polarity protection	yes
Operating conditions	
Ambient temperature [°C]	0...60
Protection	IP 30
Tests / approvals	
EMC	IEC 62026-2
AS-i classification	
AS-i version	3.0
Extended addressing mode	yes
AS-i profile	S-B.A.5
AS-i I/O configuration [hex]	B
AS-i ID code [hex]	A.5
AS-i certificate pending	yes
Mechanical data	
Weight [g]	98.5
Type of mounting	Mounting on DIN rail
Dimensions [mm]	83 x 22 x 45
Material	PBT

AC1155



AS-i / RS485 gateway

AS-i / RS-485 Gateway

Displays / operating elements		
Display	Power	LED, green
	short circuit	LED, red
Remarks		
Pack quantity	1 pcs.	
Electrical connection		
A+	AS-i +	
A-	AS-i -	
B	(CTS)	
A	(RTS)	
GND		
GND	not used	
TxD	not used	
RxD	not used	