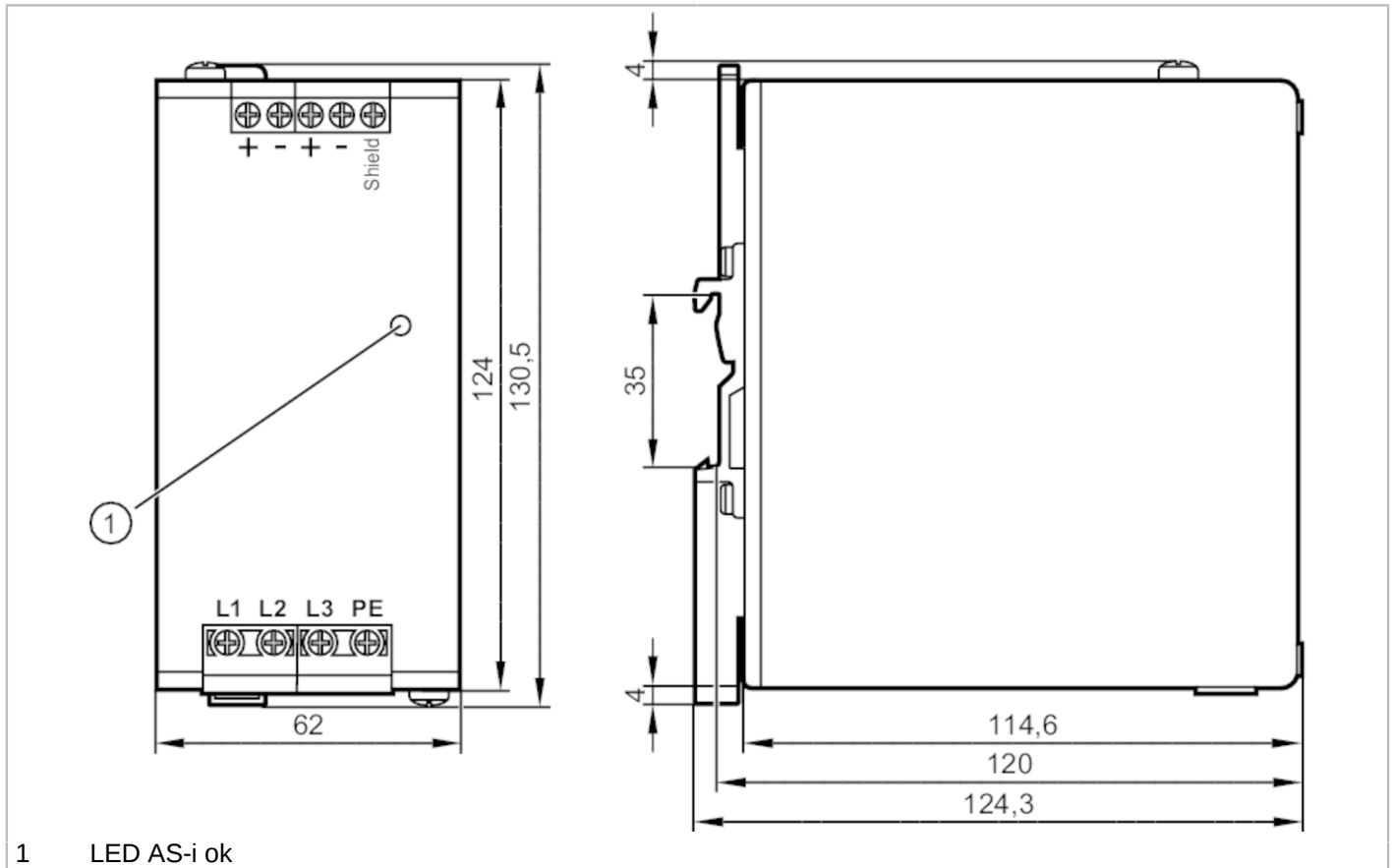


AC1253



AS-Interface power supply

PSU-3AC/ASI-8A



Electrical data		
Frequency AC	[Hz]	47...64
Operating voltage tolerance	[%]	15...20
Nominal voltage AC	[V]	400
Input voltage range AC	[V]	380...480
Protection class		I
Oversvoltage protection		yes; (< 36 V)
Max. power-on delay time	[ms]	90
Output voltage AS-i	[V]	30.5
Output power (permanent)	[W]	244
Output power (peak)	[W]	256
Note on output power (peak)		briefly to load bus capacities after power on
Power factor (nominal voltage 400 V AC / 50 Hz)		0.53
Power factor (nominal voltage 480 V AC / 50 Hz)		0.52
Power reserve	[%]	5
Number of output circuits		1
Output current AS-i	[A]	8
Max. residual ripple	[mV]	90

AC1253



AS-Interface power supply

PSU-3AC/ASI-8A

Switch-on peak current (nominal voltage 400 V AC / 60 Hz)	[A]	4
Switch-on peak current (nominal voltage 480 V AC / 50 Hz)	[A]	4
Efficiency (nominal voltage 400 V AC / 60 Hz)	[%]	92
Efficiency (nominal voltage 480 V AC / 50 Hz)	[%]	92.1
External input protection		≤ B-6 A / ≤ C-3 A
Derating	[W/K]	6 (60...70 °C)
Mains buffering time (nominal voltage 400 V AC / 60 Hz)	[ms]	34
Mains buffering time (nominal voltage 480 V AC / 50 Hz)	[ms]	53
Input current (nominal voltage 400 V AC / 60 Hz)	[A]	0.7
Input current (nominal voltage 480 V AC / 50 Hz)	[A]	0.6
Power loss (nominal voltage 400 V AC / 60 Hz)	[W]	21.2
Power loss (nominal voltage 480 V AC / 50 Hz)	[W]	20.9
Integrated data decoupling		yes
Back feeding protection	[V]	35

Outputs

Short-circuit proof		yes
Overload protection		yes
Overload performance		constant output current
Parallel connection of outputs possible		no
Series connection of outputs possible		no

Operating conditions

Ambient temperature	[°C]	-25...70
Note on ambient temperature		observe the free space for convection (see operating instructions)
Storage temperature	[°C]	-40...85
Max. relative air humidity	[%]	95; (IEC 60068-2-30)
Protection		IP 20
Degree of soiling		2; (IEC 62103: conductive soiling not permitted)

Tests / approvals

EMC	EN 61000-6-1	
	EN 61000-6-2	
	EN 61000-6-3	
	EN 61000-6-4	
Vibration resistance	IEC 60068-2-6	± 1,6 mm 2...17,8 Hz / 2 g 17,8...500 Hz
Shock resistance	IEC 60068-2-27	30 g 6 ms / 20 g 11 ms
Power Factor Correction (PFC)		met

AC1253



AS-Interface power supply

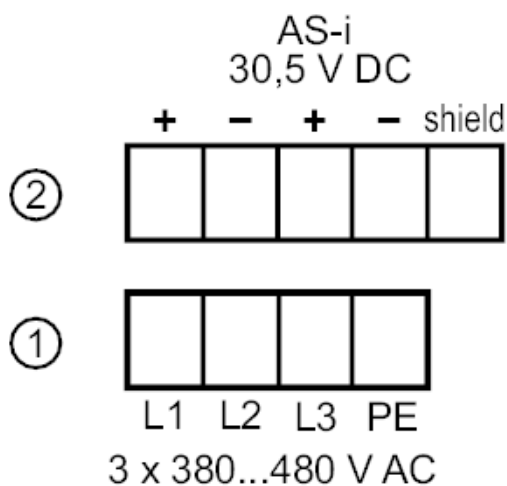
PSU-3AC/ASI-8A

AS-i classification		
AS-i certificate	98401	
Mechanical data		
Weight [g]	950	
Type of mounting	rail; (TH35 (EN 60715))	
Dimensions [mm]	124 x 62 x 120	
Material	steel sheet	
Displays / operating elements		
Display	AS-i voltage	LED, green
Remarks		
Pack quantity	1 pcs.	

Electrical connection

screw terminals:

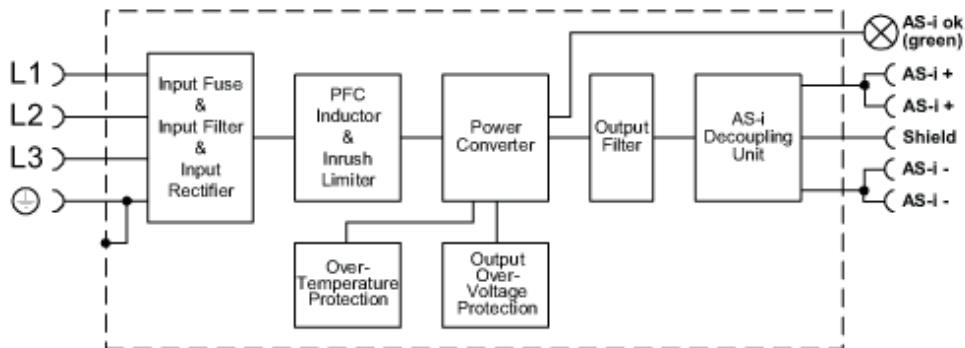
Connection



- 1: primary
- 2: secondary

Diagrams and graphs

Block diagram



AC1253

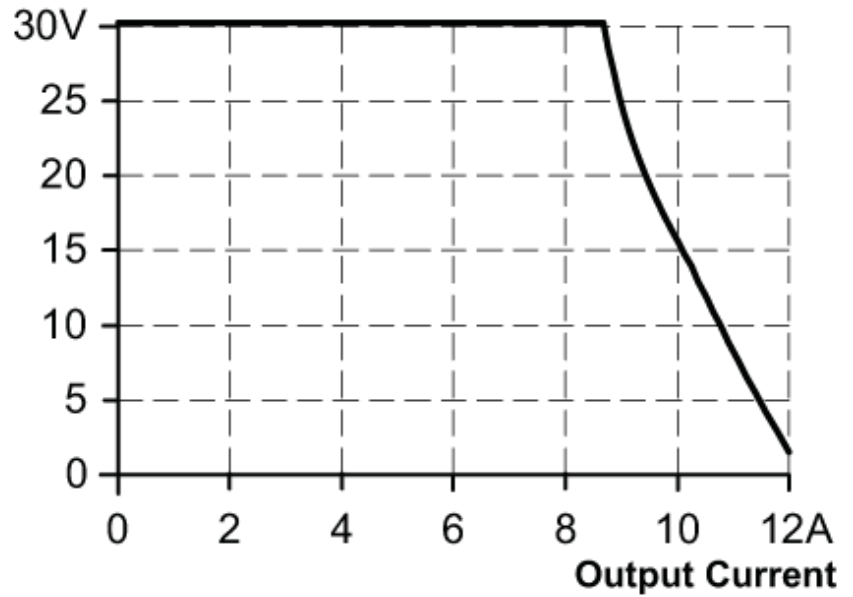
AS-Interface power supply

PSU-3AC/ASi-8A



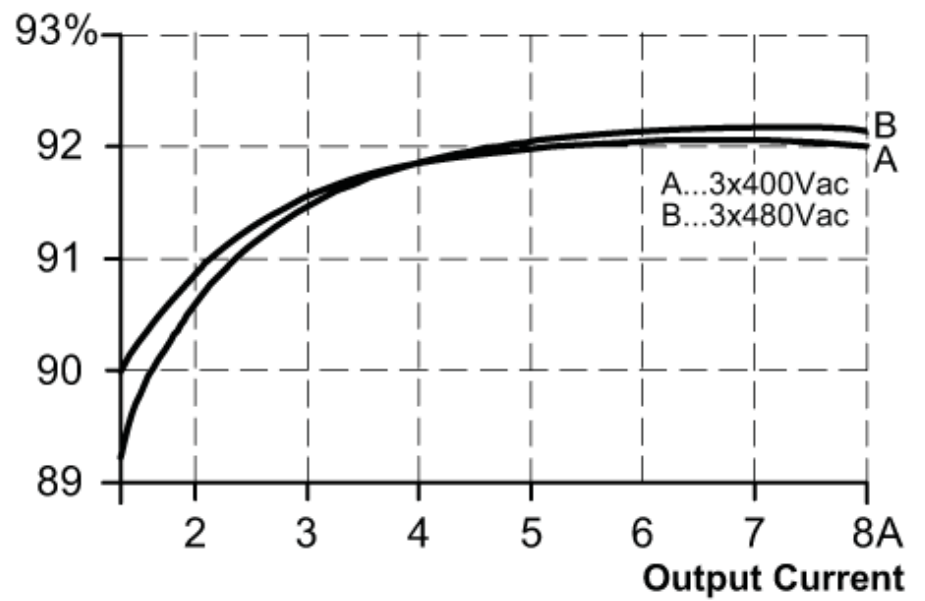
Output curve

Output Voltage



Characteristic curve for degree of efficiency / power loss

Efficiency



AC1253

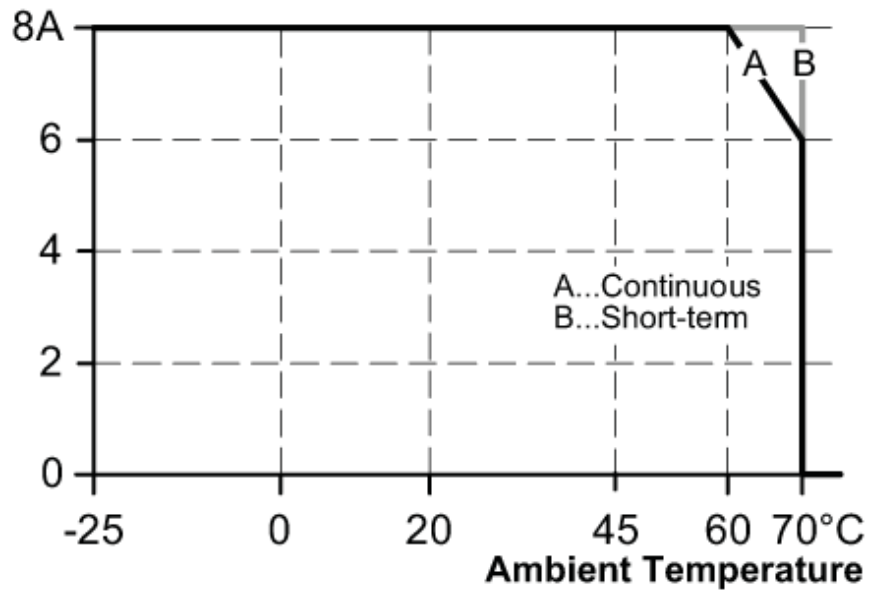
AS-Interface power supply

PSU-3AC/ASi-8A



Characteristic curve for derating

Allowed Output Current



Characteristic curve for mains buffering time

Hold-up Time

