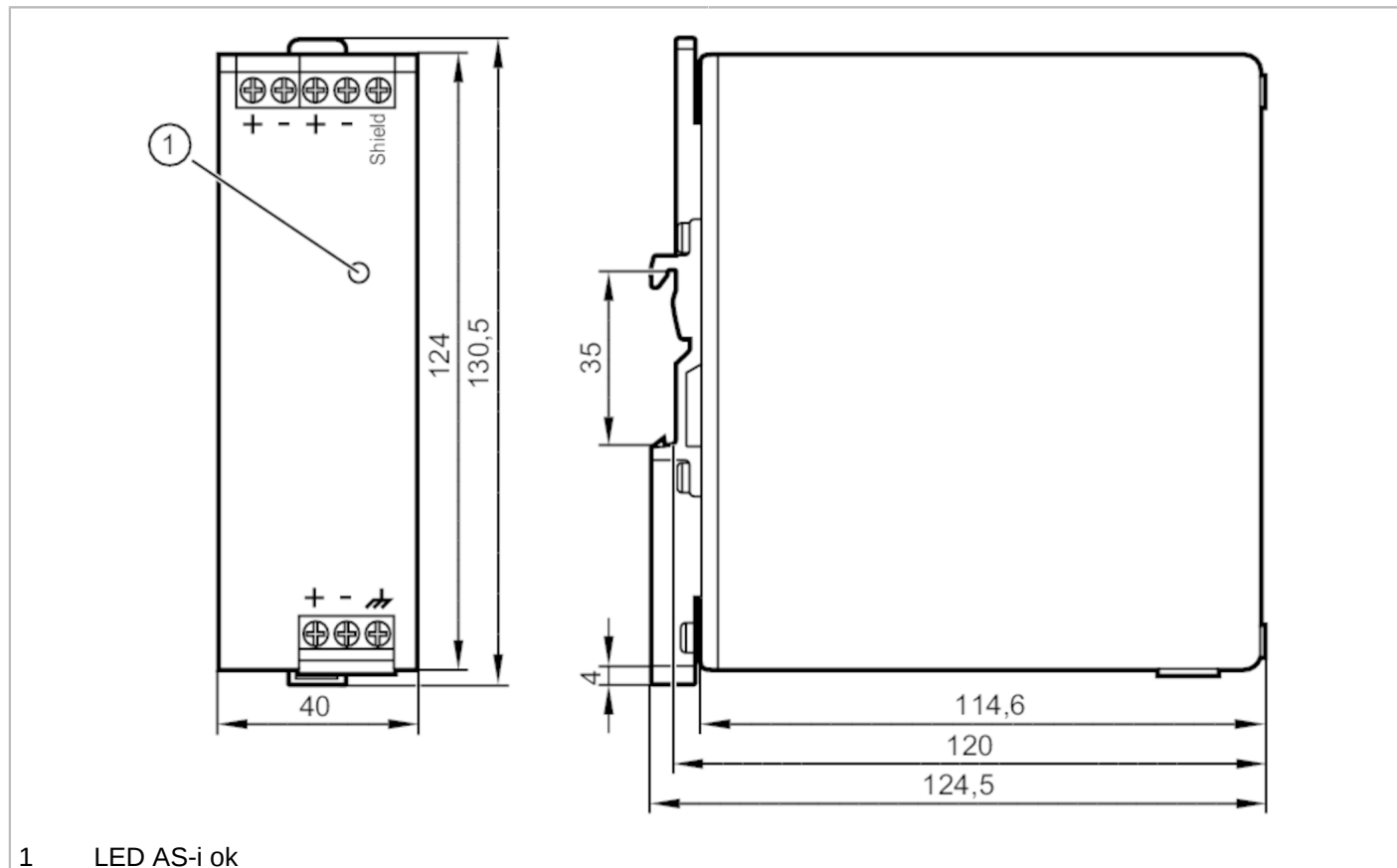


AC1257



AS-Interface power supply

PSU-24VDC/ASI-4A



1 LED AS-i ok



AC1257



AS-Interface power supply

PSU-24VDC/ASI-4A

Electrical data		
Operating voltage tolerance	[%]	25...35
Nominal voltage DC	[V]	24
Input voltage DC	[V]	24
Protection class		III
Oversvoltage protection		yes; (< 36 V)
Max. power-on delay time	[ms]	650
Output voltage AS-i	[V]	30.5
Output power (permanent)	[W]	122
Output power (peak)	[W]	134
Note on output power (peak)		briefly to load bus capacities after power on
Power reserve	[%]	10
Number of output circuits		1
Output current AS-i	[A]	4
Max. residual ripple	[mV]	50
Switch-on peak current (nominal voltage 24 V DC)	[A]	2
Inrush current limitation		yes
Efficiency (nominal voltage 24 V DC)	[%]	90.5
External input protection		≤ B-10 A / ≤ C-8 A
Derating	[W/K]	3 (60...70 °C)
Mains buffering time (nominal voltage 24 V DC)	[ms]	6
Input current (nominal voltage 24 V DC)	[A]	5.5
Power loss (nominal voltage 24 V DC)	[W]	12.7
Integrated data decoupling		yes
Back feeding protection	[V]	35
Outputs		
Short-circuit proof		yes
Overload protection		yes
Overload performance		constant output current
Parallel connection of outputs possible		no
Series connection of outputs possible		no
Operating conditions		
Ambient temperature	[°C]	-25...70
Note on ambient temperature		observe the free space for convection (see operating instructions)
Storage temperature	[°C]	-40...85
Max. relative air humidity	[%]	95; (IEC 60068-2-30)
Protection		IP 20
Degree of soiling		2; (IEC 62103: conductive soiling not permitted)

AC1257



AS-Interface power supply

PSU-24VDC/ASI-4A

Tests / approvals

EMC	EN 61000-6-1	
	EN 61000-6-2	
	EN 61000-6-3	
	EN 61000-6-4	
Vibration resistance	IEC 60068-2-6	± 1,6 mm 2...17,8 Hz / 2 g 17,8...500 Hz
Shock resistance	IEC 60068-2-27	30 g 6 ms / 20 g 11 ms

AS-i classification

AS-i certificate	98801
------------------	-------

Mechanical data

Weight [g]	621
Type of mounting	rail; (TH35 (EN 60715))
Dimensions [mm]	124 x 40 x 120
Material	steel sheet

Displays / operating elements

Display	AS-i voltage	LED, green
---------	--------------	------------

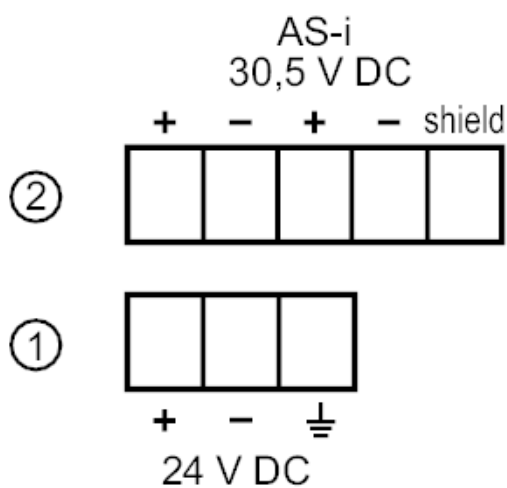
Remarks

Pack quantity	1 pcs.
---------------	--------

Electrical connection

screw terminals:

Connection



- 1: primary
- 2: secondary

AC1257

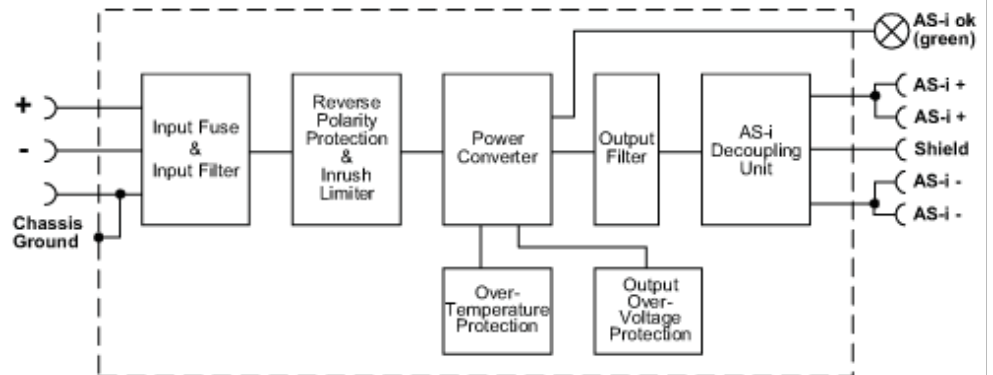


AS-Interface power supply

PSU-24VDC/ASI-4A

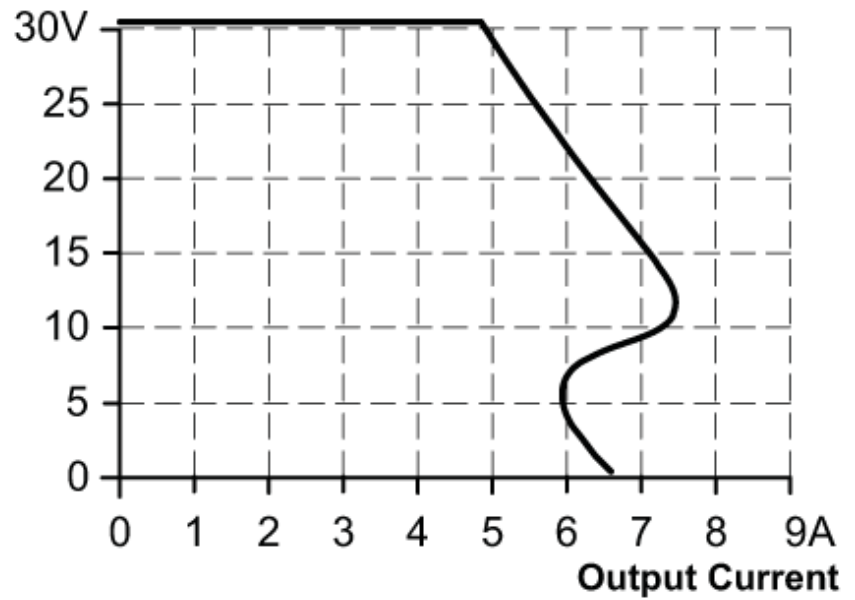
Diagrams and graphs

Block diagram



Output curve

Output Voltage



AC1257

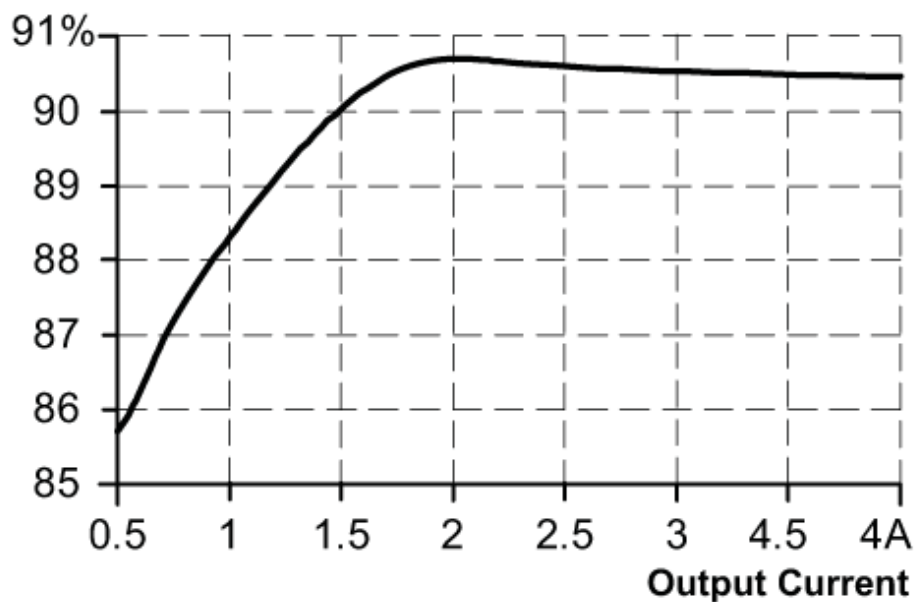


AS-Interface power supply

PSU-24VDC/ASI-4A

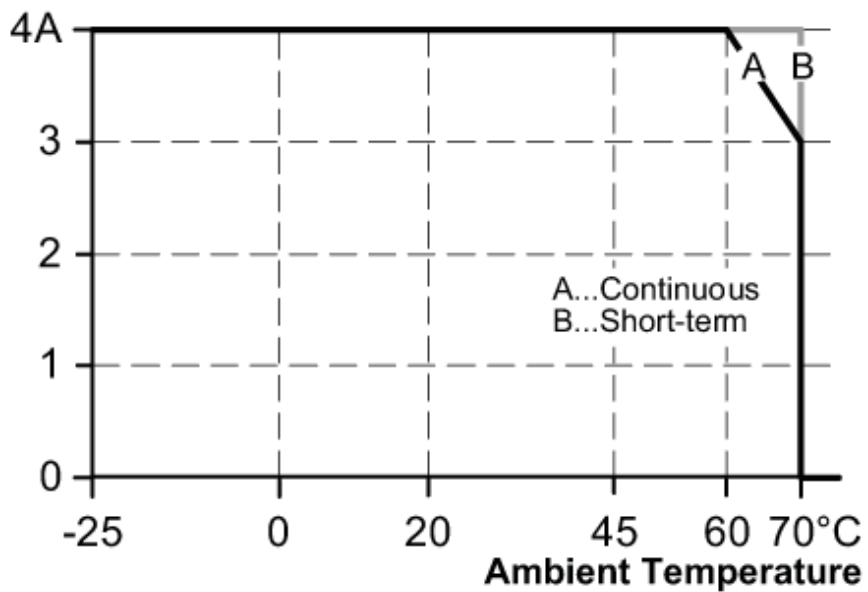
Characteristic curve for degree of efficiency / power loss

Efficiency



Characteristic curve for derating

Allowed Output Current



AC1257



AS-Interface power supply

PSU-24VDC/ASI-4A

Characteristic curve for mains buffering time

Hold-up Time

