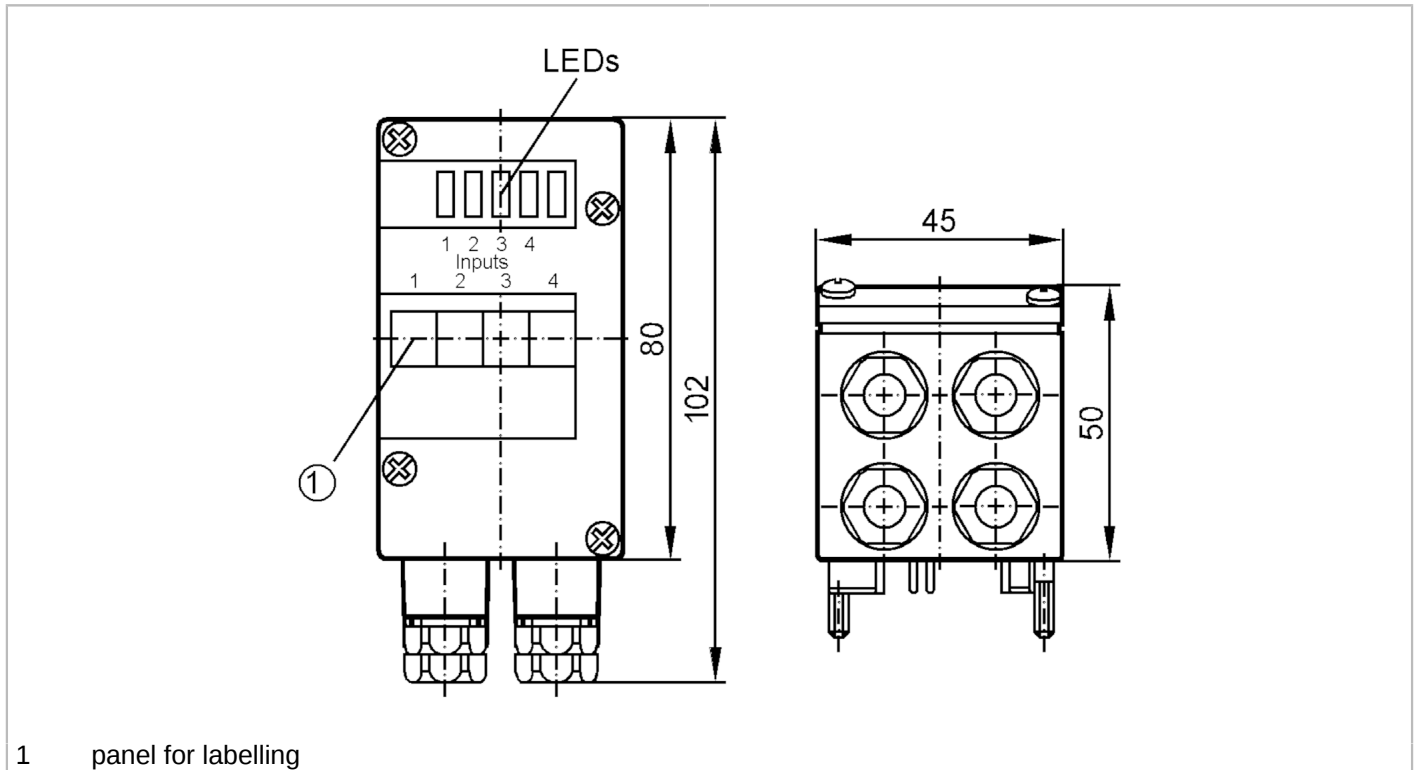


AC2032



AS-Interface universal module

EMS/Module/4DI/CCT



1 panel for labelling



Application	
Application	field installation
Electrical data	
Operating voltage [V]	26.5...31.6 DC
Max. current consumption from AS-i [mA]	200
Inputs / outputs	
Number of inputs and outputs	Number of digital inputs: 4
Inputs	
Number of digital inputs	4
Input circuit of digital inputs	PNP
Sensor supply of the inputs	AS-i
Voltage supply [V]	20...30
Max. total current rating of inputs [mA]	160
Input current High [mA]	> 5
Input current low [mA]	< 3
Min. switching level high signal [V]	10
Digital inputs protected against short circuits	yes
Operating conditions	
Ambient temperature [°C]	-25...60
Protection	IP 65

AC2032



AS-Interface universal module

EMS/Module/4DI/CCT

Tests / approvals				
EMC	EN 50295			
AS-i classification				
AS-i profile	S-0.0.F			
AS-i I/O configuration [hex]	0			
AS-i ID code [hex]	0.F			
AS-i certificate pending	yes			
Data bits	Data bit	D0	D1	D2
	assignment	I-1	I-2	I-3
		D3		I-4
Mechanical data				
Weight [g]	182			
Type of mounting	AS-i interface to FC and SC lower parts			
Material	PA 6-GF30; stainless steel (1.4305 / 303)			
Displays / operating elements				
Display	Power	LED, green		
	errors	LED, red		
	Function	LED, yellow		
Remarks				
Pack quantity	1 pcs.			
Electrical connection				
cage clamps:				
contact pins to module lower part, FK / PG:				