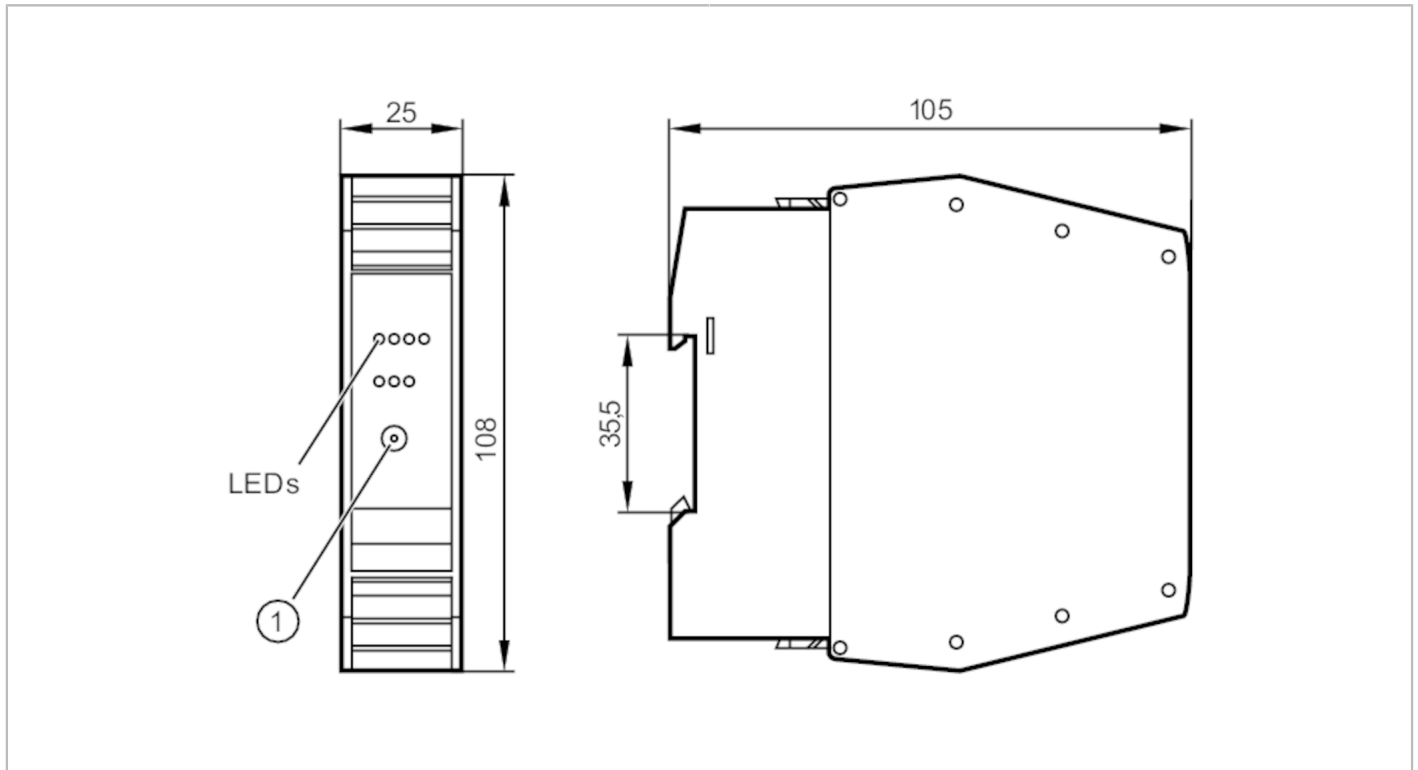


AC2250



AS-Interface control cabinet module

SmartL25 4DI C



Application	
Application	I/O modules for control cabinet installations
Electrical data	
Operating voltage [V]	26.5...31.6 DC
Max. current consumption from AS-i [mA]	250
Inputs / outputs	
Number of inputs and outputs	Number of digital inputs: 4
Inputs	
Number of digital inputs	4
Input circuit of digital inputs	PNP; (type 2 according to IEC 61131-2)
Sensor supply of the inputs	AS-i
Voltage supply [V]	18...30
Max. total current rating of inputs [mA]	200
Input current High [mA]	6...10
Input current low [mA]	0...2
Min. switching level high signal [V]	11
Digital inputs protected against short circuits	yes
Outputs	
Voltage range DC [V]	DC

AC2250



AS-Interface control cabinet module

SmartL25 4DI C

Operating conditions						
Ambient temperature	[°C]	-25...70				
Max. relative air humidity	[%]	90; (non condensing)				
Max. height above sea level	[m]	2000				
Protection		IP 20				
Degree of soiling		2				
Tests / approvals						
EMC		EN61000-6-2				
		EN62026-2				
		EN50581				
MTTF	[years]	391				
AS-i classification						
AS-i version		2.1; 3.0				
AS-i addressing		Addressing socket				
Extended addressing mode		yes				
AS-i profile		S-0.A.E				
AS-i I/O configuration	[hex]	0				
AS-i ID code	[hex]	A.E				
AS-i certificate		35401				
Data bits		Data bit	D0	D1	D2	D3
		Input	I-1	I-2	I-3	I-4
Mechanical data						
Weight	[g]	136				
Type of mounting		Mounting on DIN rail				
Material		PC-GF20				
Displays / operating elements						
Display		Switching status	LED, yellow I1...I4			
		Power	LED, green AS-i			
		errors	LED, red			
Accessories						
Accessories (optional)		cage clamps				
Remarks						
Remarks		Do not connect any of the following points to an external potential:				
		I-, I+, I1, I2, I3, I4				
Pack quantity		The connections are electrically connected with the AS-i cable.				
		1 pcs.				



AS-Interface control cabinet module

SmartL25 4DI C

Electrical connection

COMBICON:

Connection

I-	I-	I-	I-
I1	I2	I3	I4
I+	I+	I+	I+

A+	A-		

A+	AS-i +
A-	AS-i -
I+	Sensor supply +24V
I-	Sensor supply 0V
I1...I4	Switching input sensor 1...4