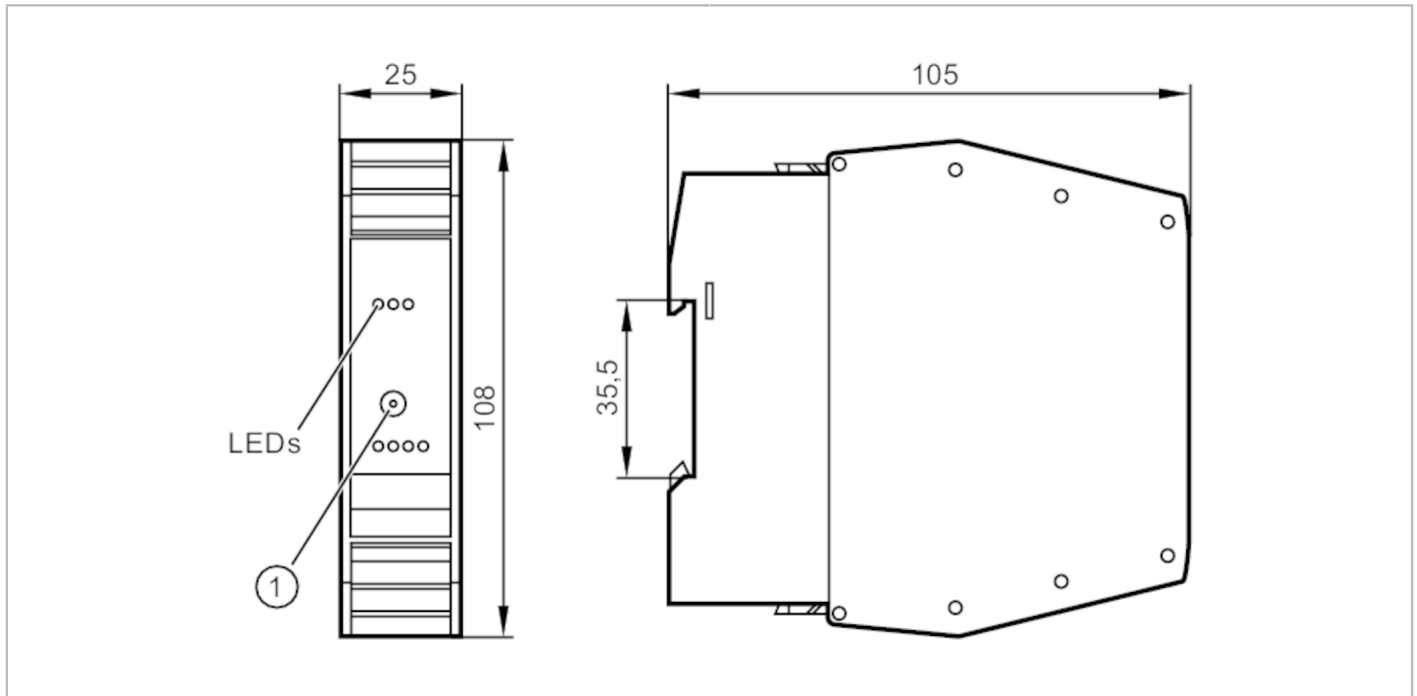


AC2252



AS-Interface control cabinet module

SmartL25 4DO T C



Application	
Application	I/O modules for control cabinet installations
Electrical data	
Operating voltage [V]	26.5...31.6 DC
Max. current consumption from AS-i [mA]	50
Additional voltage supply [V]	20...30 DC; (AUX)
Max. current consumption from additional supply [mA]	4000; (AUX)
Integrated watchdog	yes
Inputs / outputs	
Number of inputs and outputs	Number of digital outputs: 4
Outputs	
Number of digital outputs	4
Circuit	PNP
Voltage range DC [V]	20...30; (AUX)
Max. current load per output [mA]	1000; (utilization category DC-12: 700 mA; utilization category DC-13 (control of electromagnets): 20 W (IEC 60947-5-1))
Max. current load outputs total [A]	4
Short-circuit proof	yes
Electrically separated	yes
Actuator supply outputs	AUX

AC2252



AS-Interface control cabinet module

SmartL25 4DO T C

Operating conditions					
Ambient temperature	[°C]	-25...70			
Max. relative air humidity	[%]	90; (non condensing)			
Max. height above sea level	[m]	2000			
Protection		IP 20			
Degree of soiling		2			
Tests / approvals					
EMC		EN61000-6-2			
		EN62026-2			
		EN50581			
MTTF	[years]	254			
AS-i classification					
AS-i version		2.1; 3.0			
AS-i addressing		Addressing socket			
Extended addressing mode		no			
AS-i profile		S-8.0.E			
AS-i I/O configuration	[hex]	8			
AS-i ID code	[hex]	0.E			
AS-i certificate		37302			
Data bits	Data bit	D0	D1	D2	D3
	Output	O-1	O-2	O-3	O-4
Mechanical data					
Weight	[g]	126			
Type of mounting		Mounting on DIN rail; String mounting possible			
Material		PC-GF20			
Displays / operating elements					
Display	Switching status	LED, yellow O1...O4			
	Power	LED, green AS-i AUX			
	errors	LED, red			
Accessories					
Accessories (optional)		cage clamps			
Remarks					
Pack quantity		1 pcs.			



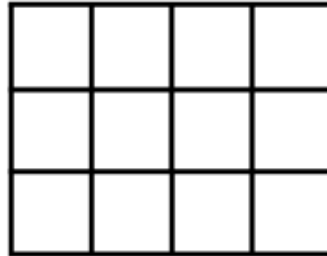
AS-Interface control cabinet module

SmartL25 4DO T C

Electrical connection

COMBICON:

Connection



O-	O-	O-	O-
O1	O2	O3	O4
A+	A-	E+	E-

A+	AS-i +
A-	AS-i -
E+	Actuator supply +24V
E-	Actuator supply 0V
O1...O4	Switching output actuator 1...4