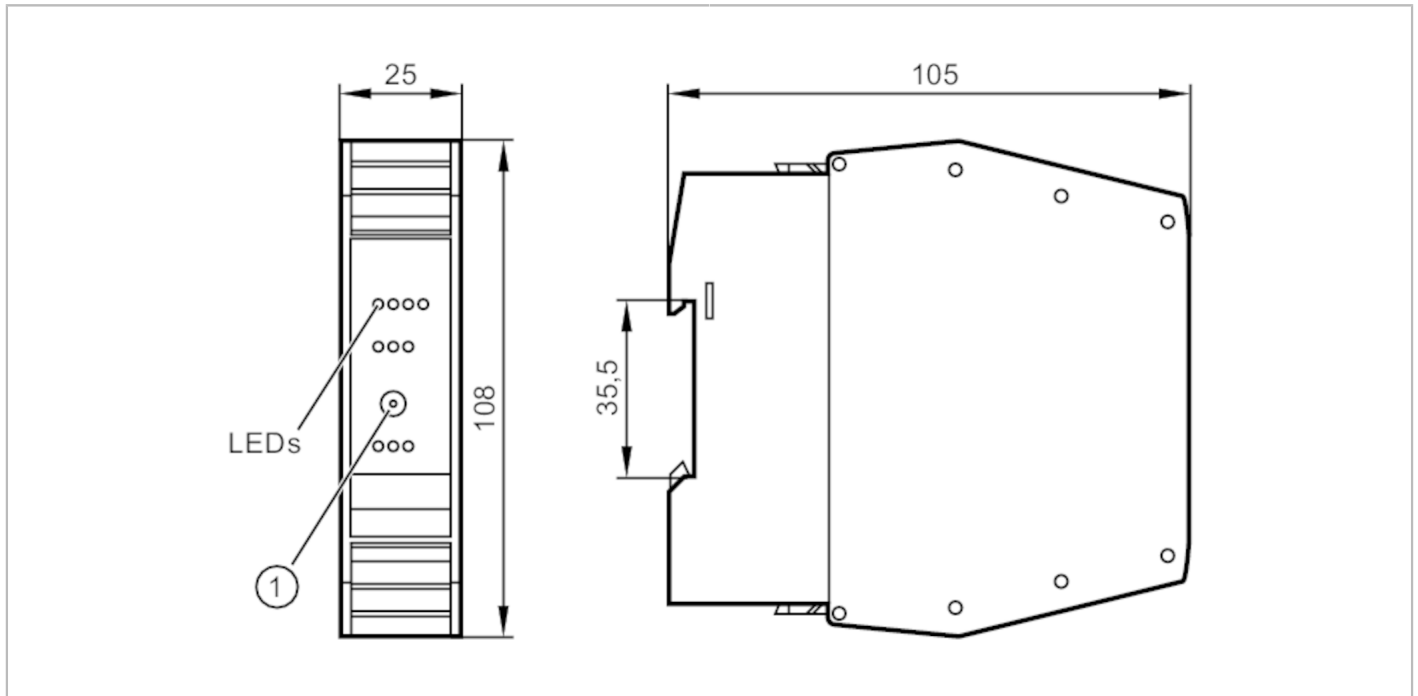


# AC2264



## AS-Interface control cabinet module

SmartLine25 4DI 3DO T C



Application	
Application	I/O modules for control cabinet installations
Electrical data	
Operating voltage [V]	26.5...31.6 DC
Max. current consumption from AS-i [mA]	250
Max. current load total [A]	3; (> 50 °C: 2000 mA)
Integrated watchdog	yes
Inputs / outputs	
Number of inputs and outputs	Number of digital inputs: 4; Number of digital outputs: 3
Inputs	
Number of digital inputs	4
Input circuit of digital inputs	PNP
Sensor supply of the inputs	AS-i
Voltage supply [V]	18...30
Max. total current rating of inputs [mA]	200
Input current High [mA]	6...10
Input current low [mA]	0...2
Min. switching level high signal [V]	11
Digital inputs protected against short circuits	yes



## AS-Interface control cabinet module

SmartLine25 4DI 3DO T C

Outputs					
Number of digital outputs	3				
Circuit	PNP				
Voltage range DC [V]	20...30; (via E+/E- / external to PELV)				
Max. current load per output [mA]	1000; (utilization category DC-12: 700 mA; utilization category DC-13 (control of electromagnets): 20 W (IEC 60947-5-1))				
Short-circuit proof	yes				
Electrically separated	yes				
Actuator supply outputs	AUX				
Operating conditions					
Ambient temperature [°C]	-25...70				
Note on ambient temperature	cRUus: -25...60 °C				
Protection	IP 20				
Tests / approvals					
EMC	EN 50295				
MTTF [years]	182				
AS-i classification					
AS-i version	2.1				
AS-i addressing	Addressing socket				
Extended addressing mode	yes				
AS-i profile	S-7.A.E				
AS-i I/O configuration [hex]	7				
AS-i ID code [hex]	A.E				
AS-i certificate	60701				
Data bits	Data bit	D0	D1	D2	D3
	Input	I-1	I-2	I-3	I-4
	Output	O-1	O-2	O-3	-
Mechanical data					
Weight [g]	146				
Type of mounting	Mounting on DIN rail; String mounting possible				
Material	PA				
Displays / operating elements					
Display	Switching status			LED, yellow	
	Power			LED, green	
	errors			LED, red	
Accessories					
Accessories (optional)	Combicon connector				
Remarks					
Remarks	Do not connect any of the following points to an external potential: I-, I+, I1, I2, I3, I4				
Pack quantity	The connections are electrically connected with the AS-i cable. 1 pcs.				



## AS-Interface control cabinet module

SmartLine25 4DI 3DO T C

### Electrical connection

COMBICON:

### Connection

I-	I-	I-	I-
I1	I2	I3	I4
I+	I+	I+	I+

O-	O-	O-	O-
O1	O2	O3	
A+	A-	E+	E-

A+	AS-i +
A-	AS-i -
I+	Sensor supply +24V
I-	Sensor supply 0V
E+	Actuator supply +24V
E-	Actuator supply 0V
I1...I4	Switching input sensor 1...4
O1...O3	Switching output actuator 1...3
O-	Switching output actuator 0V