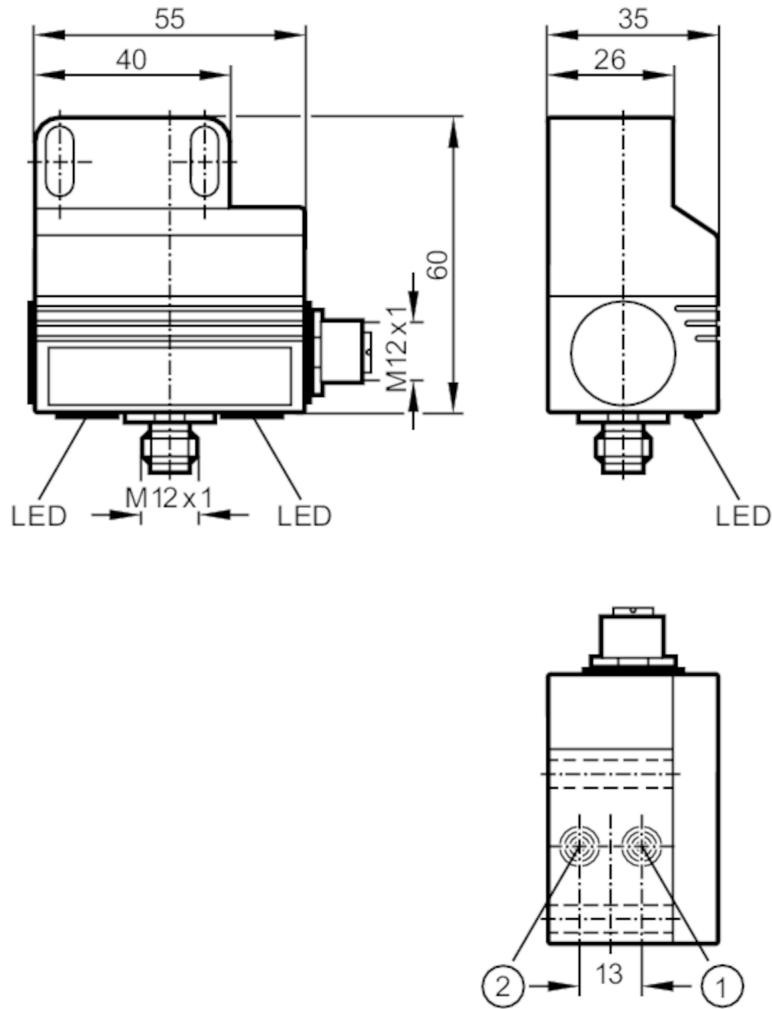


# AC2317



## AS-Interface dual sensor for pneumatic quarter-turn actuators

DUAL SENSOR T6 2SI 2DO T M12



- 1 sensor 1
- 2 sensor 2



### Product characteristics

Electrical design		AS-i
Output function		PNP
Sensing range	[mm]	4
Dimensions	[mm]	55 x 60 x 35

### Electrical data

Operating voltage	[V]	26.5...31.6 DC; (cULus - Class 2 source required)
Max. current consumption from AS-i	[mA]	260
Integrated watchdog		yes

### Inputs / outputs

Number of inputs and outputs		Number of digital inputs: 2; Number of digital outputs: 2
------------------------------	--	---

# AC2317



## AS-Interface dual sensor for pneumatic quarter-turn actuators

DUAL SENSOR T6 2SI 2DO T M12

Inputs		
Number of digital inputs		2
Input circuit of digital inputs		PNP
Sensor supply of the inputs		AS-i
Voltage supply [V]		20...30
Digital inputs protected against short circuits		no
Outputs		
Electrical design		AS-i
Number of digital outputs		2
Output function		PNP
Max. current load per output [mA]		100
Short-circuit proof		yes
Electrically separated		no
Actuator supply outputs		AS-i
Monitoring range		
Sensing range [mm]		4
Operating conditions		
Ambient temperature [°C]		-20...70
Protection		IP 67
Tests / approvals		
EMC	EN 50295	
	EN 61000-6-2	
MTTF [years]		310
AS-i classification		
AS-i version		2.1
Extended addressing mode		yes
AS-i profile		S-7.A.E
AS-i I/O configuration [hex]		7
AS-i ID code [hex]		A.E
AS-i certificate		75001
Mechanical data		
Weight [g]		178.5
Mounting		non-flush mountable
Dimensions [mm]		55 x 60 x 35
Material		PBT; PC
Displays / operating elements		
Display	Power	1 x LED, green
	Function	1 x LED, yellow
	error	1 x LED, red
Accessories		
Items supplied		reinforcement bracket
		socket head screws: 2 x M5 x 35
		washers: 2

# AC2317



## AS-Interface dual sensor for pneumatic quarter-turn actuators

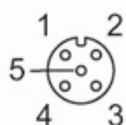
DUAL SENSOR T6 2SI 2DO T M12

### Remarks

Remarks	The outputs must not be set simultaneously if the total load current exceeds 100 mA. *) cULus - Class 2 source required
Pack quantity	1 pcs.

### Electrical connection - Socket

Connector: 1 x M12; Moulded body: stainless steel



### Ausgänge

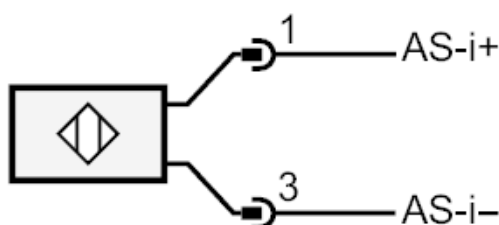
2	Switching output 2 +
3	External voltage -
4	Switching output 1 +

### Electrical connection - plug

Connector: 1 x M12; Moulded body: stainless steel



### Connection



# AC2317



## AS-Interface dual sensor for pneumatic quarter-turn actuators

DUAL SENSOR T6 2SI 2DO T M12

### Elektrischer Anschluss

1	AS-i+
3	AS-i -