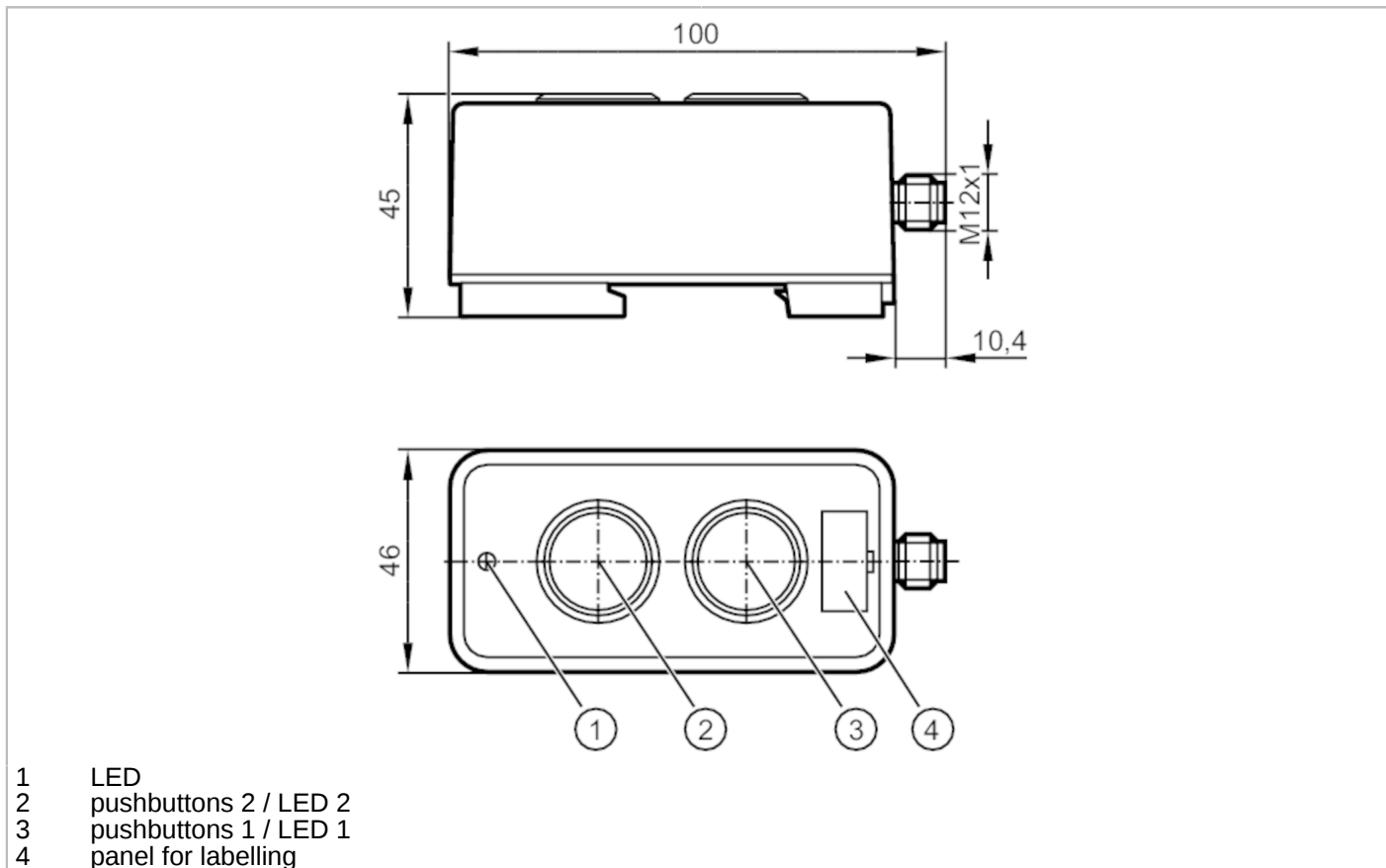


# AC2388



## AS-Interface illuminated pushbutton module

AS-i Module 2BI 2LO RD/GR



Application	
Application	field installation
Electrical data	
Operating voltage [V]	26.5...31.6 DC
Max. current consumption from AS-i [mA]	55
Inputs	
Sensor supply of the inputs	AS-i
Operating conditions	
Ambient temperature [°C]	-25...60
Storage temperature [°C]	-40...85
Protection	IP 67
Tests / approvals	
EMC	EN 61000-6-2
	EN 62026-2

# AC2388



## AS-Interface illuminated pushbutton module

AS-i Module 2BI 2LO RD/GR

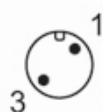
AS-i classification					
AS-i version	2.11; 3.0				
Extended addressing mode	yes				
AS-i profile	S-7.A.E				
AS-i I/O configuration [hex]	7				
AS-i ID code [hex]	A.E				
AS-i certificate	133801				
Data bits	Data bit	D0	D1	D2	D3
	LED 1	DO-0	-	-	-
	LED 2	-	DO-1	-	-
	pushbuttons 1	DI-0	-	-	-
	pushbuttons 2	-	DI-1	-	-

Mechanical data	
Weight [g]	133
Type of mounting	Mounting on DIN rail
Dimensions [mm]	89.6 x 46 x 45
Material	PA

Displays / operating elements		
Display	Power	LED, green
	errors	LED, red
Operating elements	2	freely programmable backlit function keys

Remarks	
Pack quantity	1 pcs.

### Electrical connection



1	AS-i +
3	AS-i -