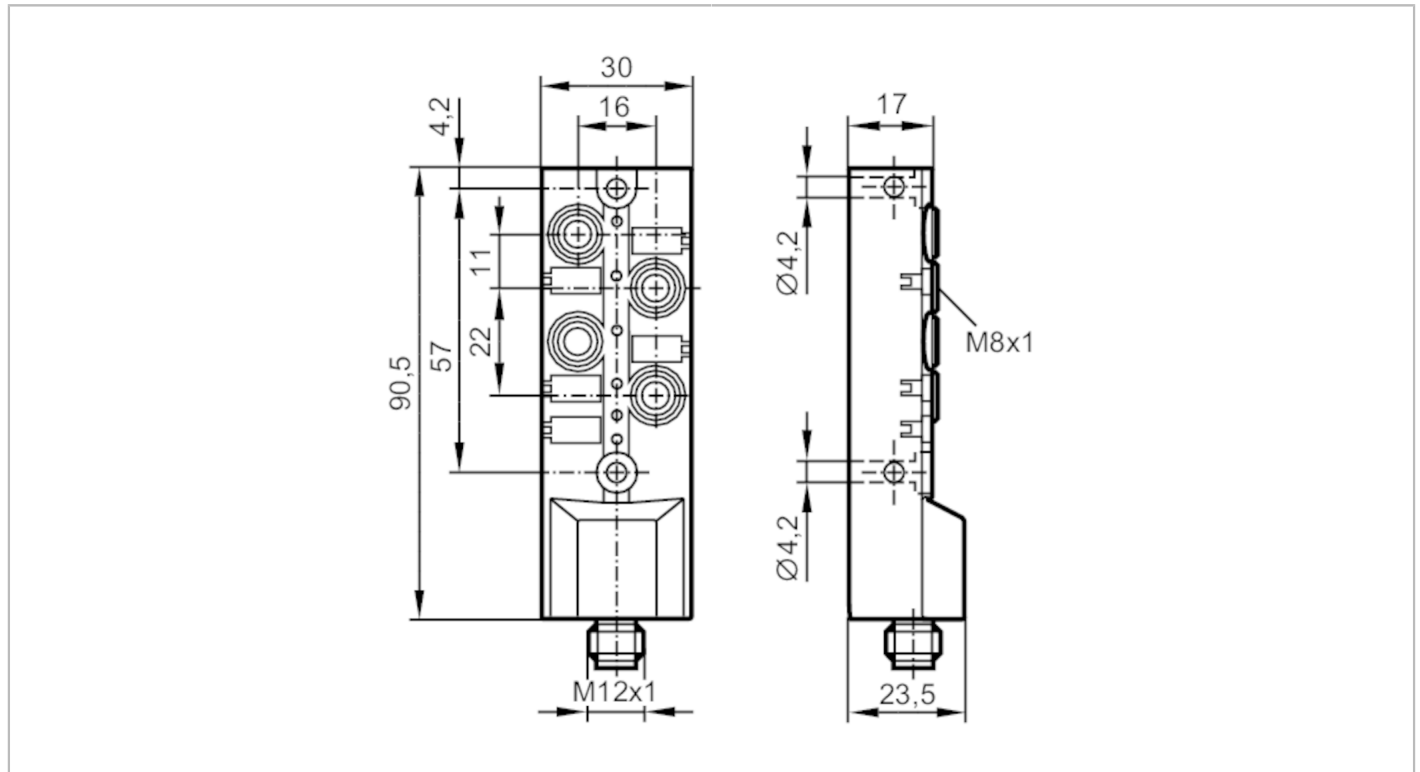


# AC2484



## AS-Interface CompactLine module

CompactM8 4DI



Application	
Application	field installation
Electrical data	
Operating voltage [V]	26.5...31.6 DC; ("supply class 2" to cULus)
Max. current consumption from AS-i [mA]	230
Inputs / outputs	
Number of inputs and outputs	Number of digital inputs: 4
Inputs	
Number of digital inputs	4
Input circuit of digital inputs	PNP
Sensor supply of the inputs	AS-i
Voltage supply [V]	18...30
Max. total current rating of inputs [mA]	180
Min. switching level high signal [V]	11
Digital inputs protected against short circuits	yes
Operating conditions	
Ambient temperature [°C]	-25...60
Protection	IP 65; IP 67; IP 68



## AS-Interface CompactLine module

CompactM8 4DI

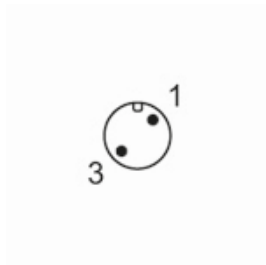
Tests / approvals					
EMC	EN 50295				
UL approval	Enclosure type		Type 1		
AS-i classification					
AS-i version	2.11; 3.0				
Extended addressing mode	yes				
AS-i profile	S-0.A.E				
AS-i I/O configuration [hex]	0				
AS-i ID code [hex]	A.E				
AS-i certificate	100801				
Assignment of the data bits	data bit	D0	D1	D2	D3
	input	I-1	I-2	I-3	I-4
Assignment of the parameter bits	parameter bit	Designation			
	P0	not used			
	P1	peripheral fault indication	: 1	activated	/ 0 deactivated
	P2	not used			
	P3	not used			
Mechanical data					
Weight [g]	110.5				
Type of mounting	backplane mounting				
Dimensions [mm]	90.5 x 30 x 23.5				
Materials	PBT				
Displays / operating elements					
Display	switching status		LED, yellow		
	operation		LED, green		
	errors		LED, red		
Electrical connection					
AS-i bus connection	M12				
Accessories					
Items supplied	Label tags				
	Protective caps: 2				
	Protective cap: M8, E73005				
	Flat cable insulation displacement connector: 1 m, round cable, E70583				
	Flat cable insulation displacement connector: M12, E70096				
Accessories (optional)	DIN rail adapter:, E73006				
Remarks					
Pack quantity	1 pcs.				
Electrical connection - AS-i					
Connector: 1 x M12					

# AC2484



## AS-Interface CompactLine module

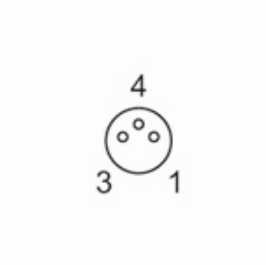
CompactM8 4DI



- |   |        |
|---|--------|
| 1 | AS-i + |
| 3 | AS-i - |

### Electrical connection - Inputs

Connector: 4 x M8



- |   |                  |
|---|------------------|
|   | Inputs           |
| 1 | Sensor supply L+ |
| 3 | Sensor supply L- |
| 4 | data input       |