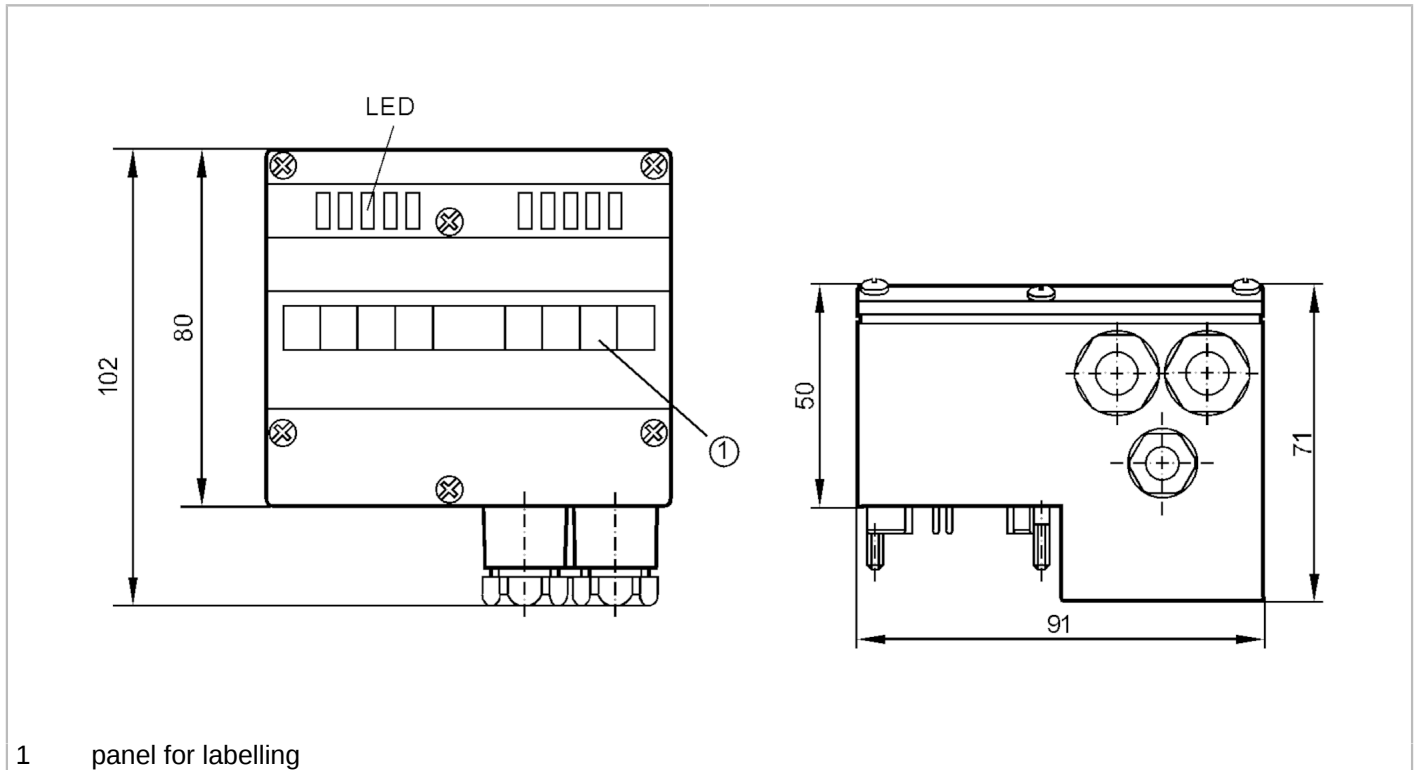


AC2616



AS-Interface universal module

UniversalModule 2AI(C) IP65



1 panel for labelling



Application	
Application	field installation
Electrical data	
Operating voltage [V]	26.5...31.6 DC
Current consumption [mA]	8...40; (external supply)
Max. current consumption from AS-i [mA]	40; (with external supply: 32 mA)
Reverse polarity protection	yes
Additional voltage supply [V]	24 DC
Additional voltage supply [V]	optional
Inputs / outputs	
Number of inputs and outputs	Number of analogue inputs: 2
Inputs	
Sensor supply of the inputs	AS-i / AUX
Number of analogue inputs	2; (Anschluss von 2-, 3-, 4-Draht-Sensoren)
Analogue input (current) [mA]	4...20
Analogue inputs protected against short circuits	no
Resolution of analogue input	16 (1 bit = 1 µA)
Operating conditions	
Ambient temperature [°C]	0...70
Storage temperature [°C]	-25...85
Protection	IP 65

AC2616



AS-Interface universal module

UniversalModule 2AI(C) IP65

Tests / approvals																																				
EMC	EN 50295																																			
MTTF [years]	150																																			
AS-i classification																																				
AS-i profile	S-7.3.D																																			
AS-i I/O configuration [hex]	7																																			
AS-i ID code [hex]	3.D																																			
AS-i certificate pending	yes																																			
Assignment of the parameter bits	<table border="1"> <thead> <tr> <th>parameter bit</th> <th>Designation</th> <th></th> <th></th> <th></th> <th></th> <th></th> </tr> </thead> <tbody> <tr> <td>P0</td> <td>filter in the A/D converter</td> <td>: 1</td> <td>50 Hz</td> <td>* / 0</td> <td>60 Hz</td> <td></td> </tr> <tr> <td>P1</td> <td>channel</td> <td>2: 1</td> <td>projected</td> <td>/ 0</td> <td>not projected</td> <td></td> </tr> <tr> <td>P2</td> <td>peripheral fault</td> <td>: 1</td> <td>activated</td> <td>/ 0</td> <td>deactivated</td> <td></td> </tr> <tr> <td>P3</td> <td>not used</td> <td>: 1</td> <td>reserved</td> <td>/ 0</td> <td>not reserved</td> <td></td> </tr> </tbody> </table>	parameter bit	Designation						P0	filter in the A/D converter	: 1	50 Hz	* / 0	60 Hz		P1	channel	2: 1	projected	/ 0	not projected		P2	peripheral fault	: 1	activated	/ 0	deactivated		P3	not used	: 1	reserved	/ 0	not reserved	
	parameter bit	Designation																																		
	P0	filter in the A/D converter	: 1	50 Hz	* / 0	60 Hz																														
	P1	channel	2: 1	projected	/ 0	not projected																														
	P2	peripheral fault	: 1	activated	/ 0	deactivated																														
P3	not used	: 1	reserved	/ 0	not reserved																															
Mechanical data																																				
Weight [g]	287																																			
Type of mounting	AS-i interface to FC-E lower parts																																			
Materials	PBT																																			
Displays / operating elements																																				
Display	switching status	2 x LED, yellow channels 1, 2																																		
	function	1 x LED, green Voltage A/D converter																																		
	operation	1 x LED, green Voltage AS-i - AS-i																																		
	errors	1 x LED, red																																		
Remarks																																				
Pack quantity	1 pcs.																																			
Electrical connection																																				
cage clamps:																																				

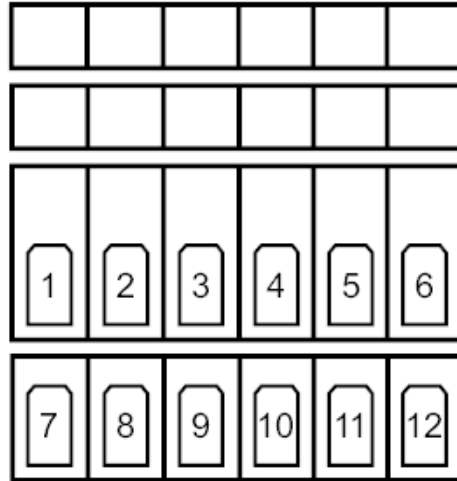


AS-Interface universal module

UniversalModule 2AI(C) IP65

contact pins to module lower part, FK / FK-E / PG:

Connection



1	I+ Sensor supply 2 +24V
2	C2 analogue input mA
3	I- Sensor supply 2 0V
4	COM 2 analogue input 2 0V
5	Shield
6	Shield
7	I+ Sensor supply 1 +24V
8	C1 analogue input mA
9	I- Sensor supply 1 0V
10	COM 1 analogue input 1 0V
11	FE functional earth
12	FE functional earth