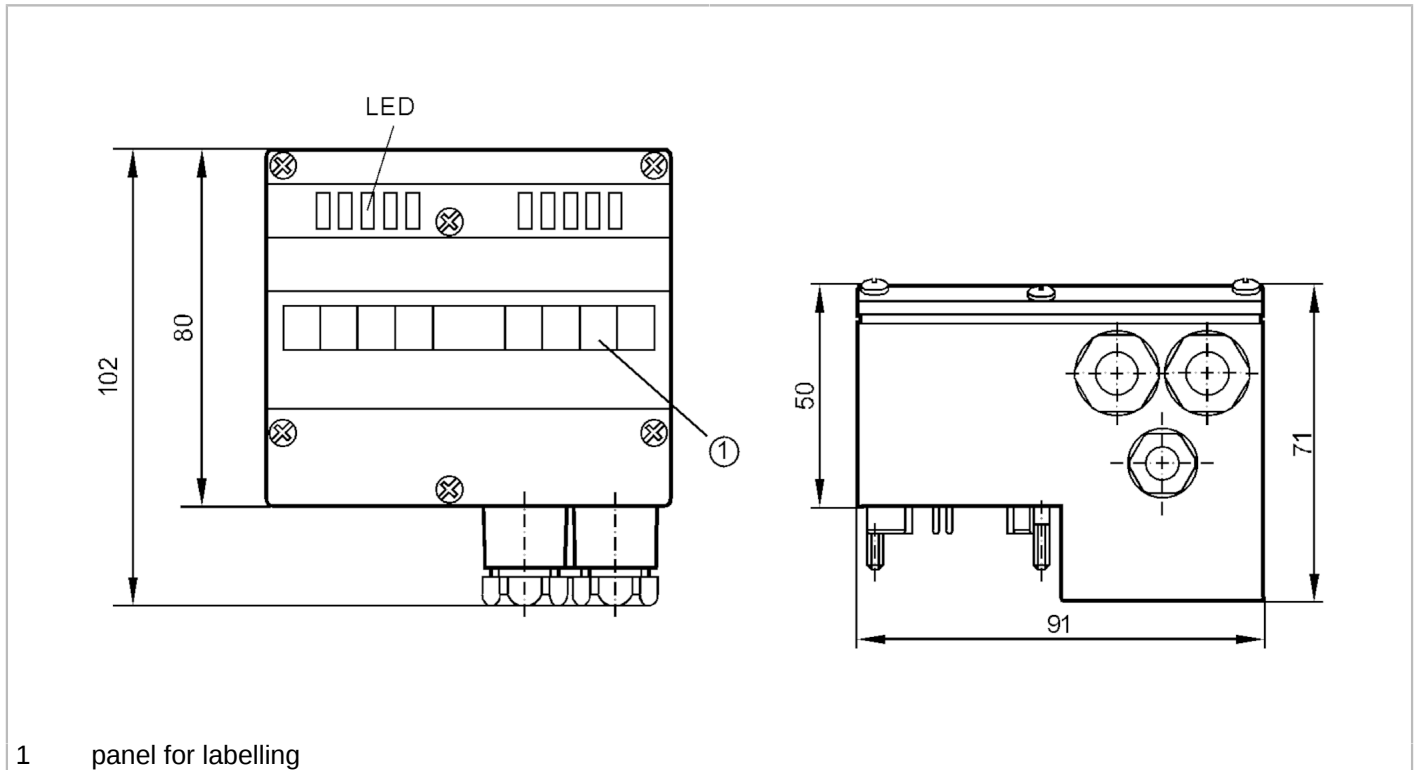


# AC2617



## AS-Interface universal module

UniversalModule 2AI(V) IP65



1 panel for labelling



Application	
Application	field installation
Electrical data	
Operating voltage [V]	26.5...31.6 DC
Current consumption [mA]	4...36; (external supply)
Max. current consumption from AS-i [mA]	36; (with external supply: 32 mA)
Reverse polarity protection	yes
Additional voltage supply [V]	24 DC
Additional voltage supply [V]	optional
Inputs / outputs	
Number of inputs and outputs	Number of analogue inputs: 2
Inputs	
Sensor supply of the inputs	AS-i / AUX
Number of analogue inputs	2; (Anschluss von 2-, 3-, 4-Draht-Sensoren)
Analogue input (voltage) [V]	0...10
Analogue inputs protected against short circuits	no
Resolution of analogue input	16 (1 bit = 1 mV)
Operating conditions	
Ambient temperature [°C]	0...70
Storage temperature [°C]	-25...85
Protection	IP 65

# AC2617



## AS-Interface universal module

UniversalModule 2AI(V) IP65

### Tests / approvals

EMC	EN 50295
MTTF [years]	140

### AS-i classification

AS-i profile	S-7.3.D
AS-i I/O configuration [hex]	7
AS-i ID code [hex]	3.D
AS-i certificate pending	yes

Assignment of the parameter bits	parameter bit	Designation				
	P0	filter in the A/D converter	: 1	50 Hz	* / 0	60 Hz
P1	channel	2: 1	projected	/ 0	not projected	
P2	peripheral fault	: 1	activated	/ 0	deactivated	
P3	not used	: 1	reserved	/ 0	not reserved	

### Mechanical data

Weight [g]	287.5
Type of mounting	AS-i interface to FC-E lower parts
Materials	PBT

### Displays / operating elements

Display	switching status	LED, green channels 1, 2
	operation	LED, green Voltage AS-i - AS-i
	errors	LED, red
	function	LED, green Voltage A/D converter

### Remarks

Pack quantity	1 pcs.
---------------	--------

### Electrical connection

cage clamps:

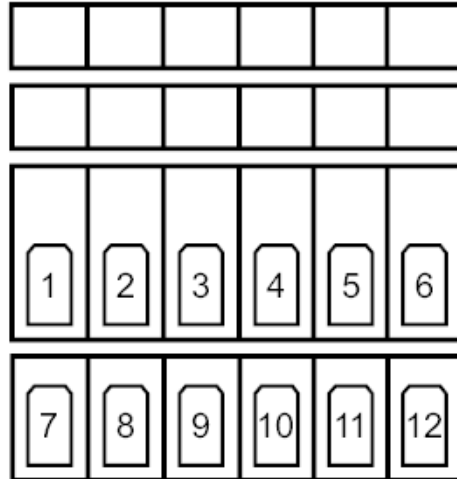


## AS-Interface universal module

UniversalModule 2AI(V) IP65

contact pins to module lower part, FK / FK-E / PG:

### Connection



1	I+ Sensor supply 2 +24V
2	V2 analogue input V
3	I- Sensor supply 2 0V
4	COM 2 analogue input 2 0V
5	Shield
6	Shield
7	I+ Sensor supply 1 +24V
8	V1 analogue input V
9	I- Sensor supply 1 0V
10	COM 1 analogue input 1 0V
11	FE functional earth
12	FE functional earth