

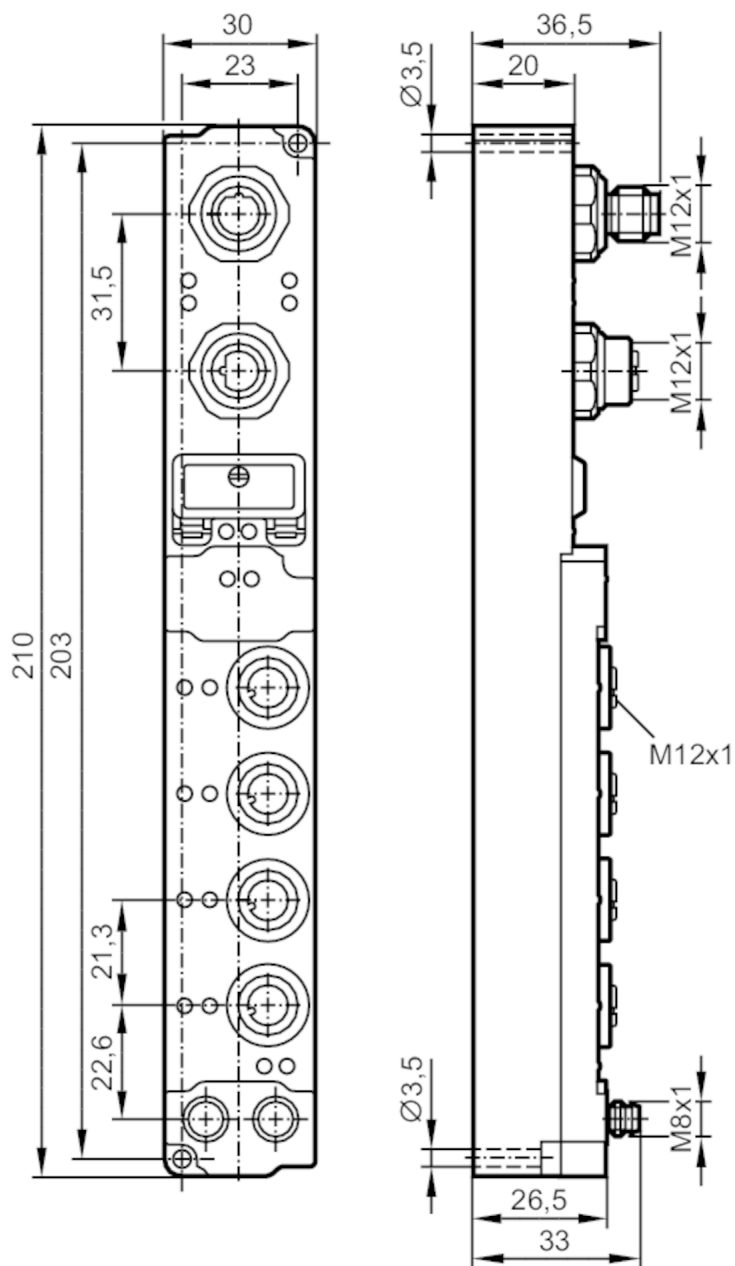
AC2630



I/O module for field applications

FieldModuleDP 4x2DI M12

discontinued article



Electrical data

Operating voltage	[V]	20...29 DC
Current consumption	[mA]	< 85
Electrical separation		no

Inputs / outputs

Number of inputs and outputs	Number of digital inputs: 8
------------------------------	-----------------------------

AC2630



I/O module for field applications

FieldModuleDP 4x2DI M12

Inputs		
Number of digital inputs		8
Voltage supply	[V]	20...29
Max. total current rating of inputs	[mA]	500
Switching level high	[V]	11...30
Switching level low	[V]	-3...5
Digital inputs protected against short circuits		yes

Interfaces		
PROFIBUS		
Transmission rate		9,6...12000 kBit/s

Operating conditions		
Ambient temperature	[°C]	0...55
Storage temperature	[°C]	-25...85
Protection		IP 67

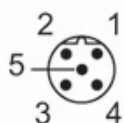
Tests / approvals		
EMC	EN 50081-2	
	EN 50082-2	
Vibration resistance	IEC 68	parts 2-6 / IEC 68, parts 2-27

Mechanical data		
Weight	[g]	296.5
Materials	housing: PA 6; potting compound: PU; contact pins: brass gold-plated	

Remarks		
Pack quantity		1 pcs.

Electrical connection - PROFIBUS

Connector: M12



AC2630



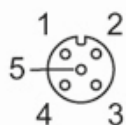
I/O module for field applications

FieldModuleDP 4x2DI M12

	plug M12 PROFIBUS In
1	not used
2	wire A
3	GND
4	wire B
5	Screen
	socket M12 PROFIBUS Out
1	5 V DC
2	wire A
3	GND
4	wire B
5	Screen

Electrical connection - Process connection

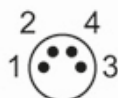
Connector: M12



	socket M12
1	Sensor supply +
2+4	data input
3	Sensor supply -
5	not used

Electrical connection - voltage supply

Connector: M8



AC2630



I/O module for field applications

FieldModuleDP 4x2DI M12

	plug M8
1	24 V DC UB
2	24 V DC UL
3	GND
4	GND
	socket M8
1	24 V DC UB
2	24 V DC UL
3	GND
4	GND