

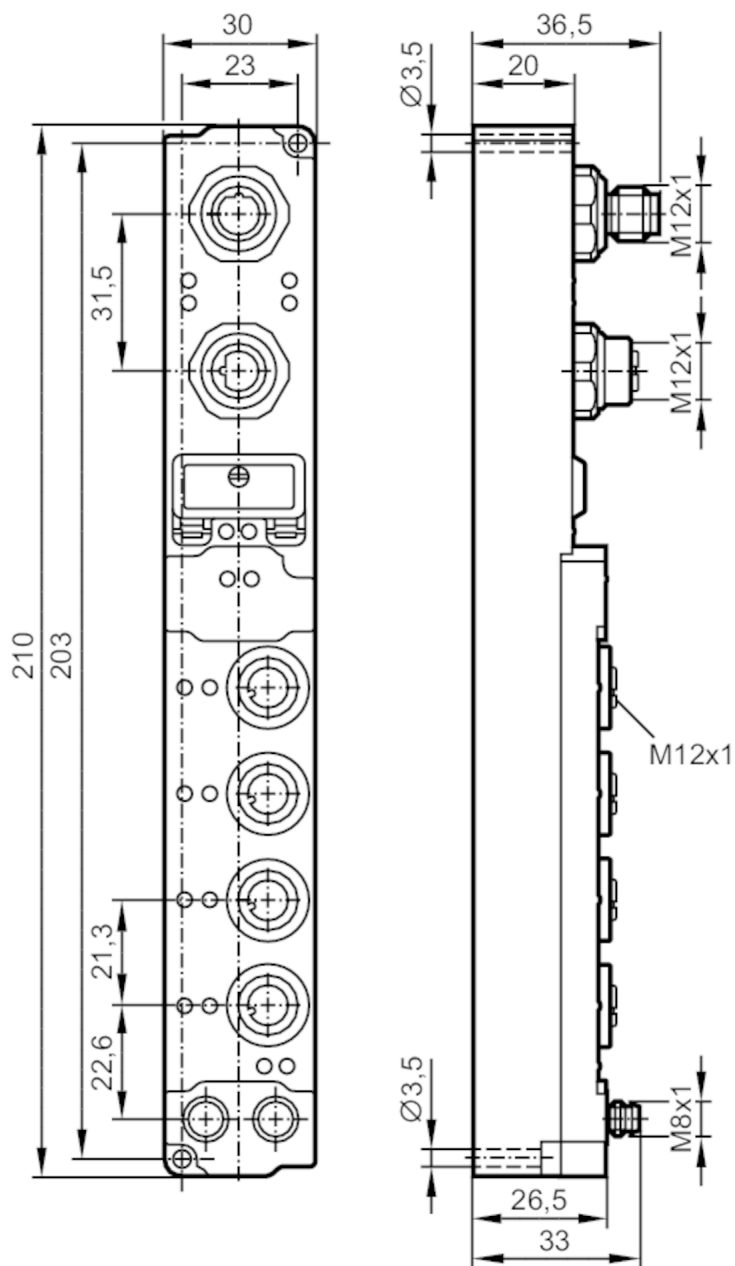
AC2636



I/O module for field applications

FieldModuleDP 4AI (C) M12

discontinued article



Electrical data

Operating voltage	[V]	20...29 DC
Current consumption	[mA]	< 140
Electrical separation		no

Inputs / outputs

Number of inputs and outputs	Number of analogue inputs: 4
------------------------------	------------------------------

AC2636



I/O module for field applications

FieldModuleDP 4AI (C) M12

Inputs		
Number of analogue inputs		4
Sensor supply of the inputs		from load voltage
Analogue input (current) [mA]		4...20
Accuracy / deviations		
Measuring error [% of the final value]		< ± 0,3
Interfaces		
PROFIBUS		
Transmission rate		9,6...12000 kBit/s
Operating conditions		
Ambient temperature [°C]		0...55
Storage temperature [°C]		-25...85
Protection		IP 67
Tests / approvals		
EMC	EN 50081-2	
	EN 50082-2	
Vibration resistance	IEC 68	parts 2-6 / IEC 68, parts 2-27
Mechanical data		
Weight [g]		327.5
Materials	housing: PA 6; potting compound: PU; contact pins: brass gold-plated	
Remarks		
Pack quantity		1 pcs.
Electrical connection - PROFIBUS		
Connector: M12		



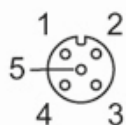
I/O module for field applications

FieldModuleDP 4AI (C) M12

	plug M12 PROFIBUS In
1	not used
2	wire A
3	GND
4	wire B
5	Screen
	socket M12 PROFIBUS Out
1	5 V DC
2	wire A
3	GND
4	wire B
5	Screen

Electrical connection - Process connection

Connector: M12



	socket M12 Inputs
1	Sensor supply UL
2	input +
3	GND
4	input -
5	Screen

Electrical connection - voltage supply

Connector: M8



AC2636



I/O module for field applications

FieldModuleDP 4AI (C) M12

	plug M8
1	24 V DC UB
2	24 V DC UL
3	GND
4	GND
	socket M8
1	24 V DC UB
2	24 V DC UL
3	GND
4	GND