

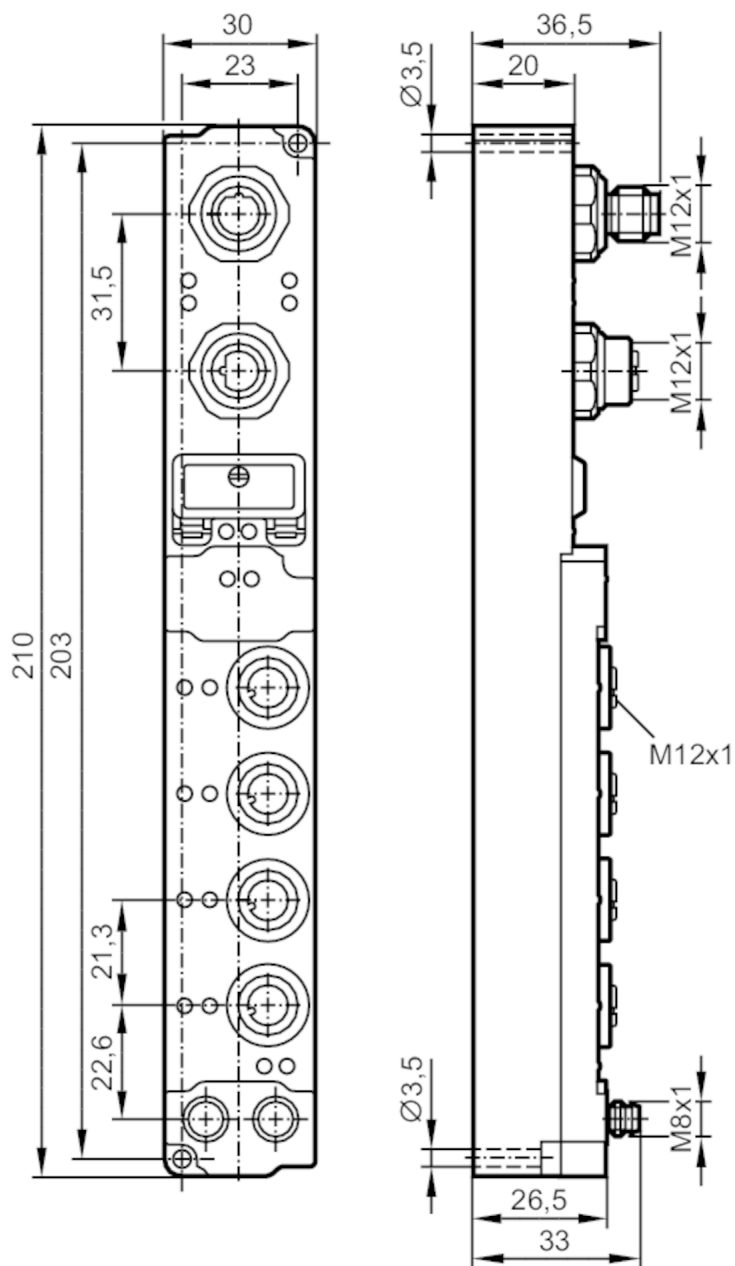
# AC2637



## I/O module for field applications

FieldModuleDP 4AO (C) M12

discontinued article



### Electrical data

Operating voltage	[V]	20...29 DC
Current consumption	[mA]	< 115
Electrical separation		no

### Inputs / outputs

Number of inputs and outputs	Number of analogue outputs: 4
------------------------------	-------------------------------

# AC2637



## I/O module for field applications

FieldModuleDP 4AO (C) M12

Outputs	
Number of analogue outputs	4
Analogue current output [mA]	4...20
Max. load [ $\Omega$ ]	500
Short-circuit proof	yes
Actuator supply outputs	from load voltage

Accuracy / deviations	
Measuring error [% of the final value]	$< \pm 0,3$

Interfaces	
PROFIBUS	
Transmission rate	9,6...12000 kBit/s

Operating conditions	
Ambient temperature [ $^{\circ}\text{C}$ ]	0...55
Storage temperature [ $^{\circ}\text{C}$ ]	-25...85
Protection	IP 67

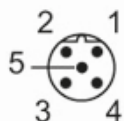
Tests / approvals		
EMC	EN 50081-2	
	EN 50082-2	
Vibration resistance	IEC 68	parts 2-6 / IEC 68, parts 2-27

Mechanical data	
Weight [g]	300.5
Materials	housing: PA 6; potting compound: PU; contact pins: brass gold-plated

Remarks	
Pack quantity	1 pcs.

### Electrical connection - PROFIBUS

Connector: M12





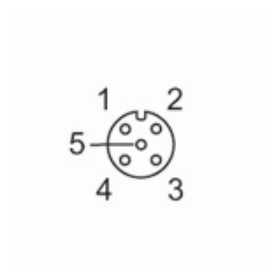
## I/O module for field applications

FieldModuleDP 4AO (C) M12

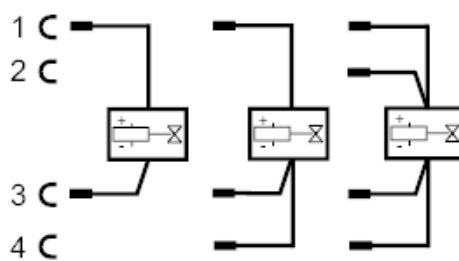
	plug M12 PROFIBUS In
1	not used
2	wire A
3	GND
4	wire B
5	Screen
	socket M12 PROFIBUS Out
1	5 V DC
2	wire A
3	GND
4	wire B
5	Screen

### Electrical connection - Process connection

Connector: M12



### Connection



	socket M12 Outputs
1	Output +
2	24 V DC UL
3	Output GND
4	GND
5	Screen

# AC2637



## I/O module for field applications

FieldModuleDP 4AO (C) M12

### Electrical connection - voltage supply

Connector: M8



	plug M8
1	24 V DC UB
2	24 V DC UL
3	GND
4	GND
	socket M8
1	24 V DC UB
2	24 V DC UL
3	GND
4	GND