

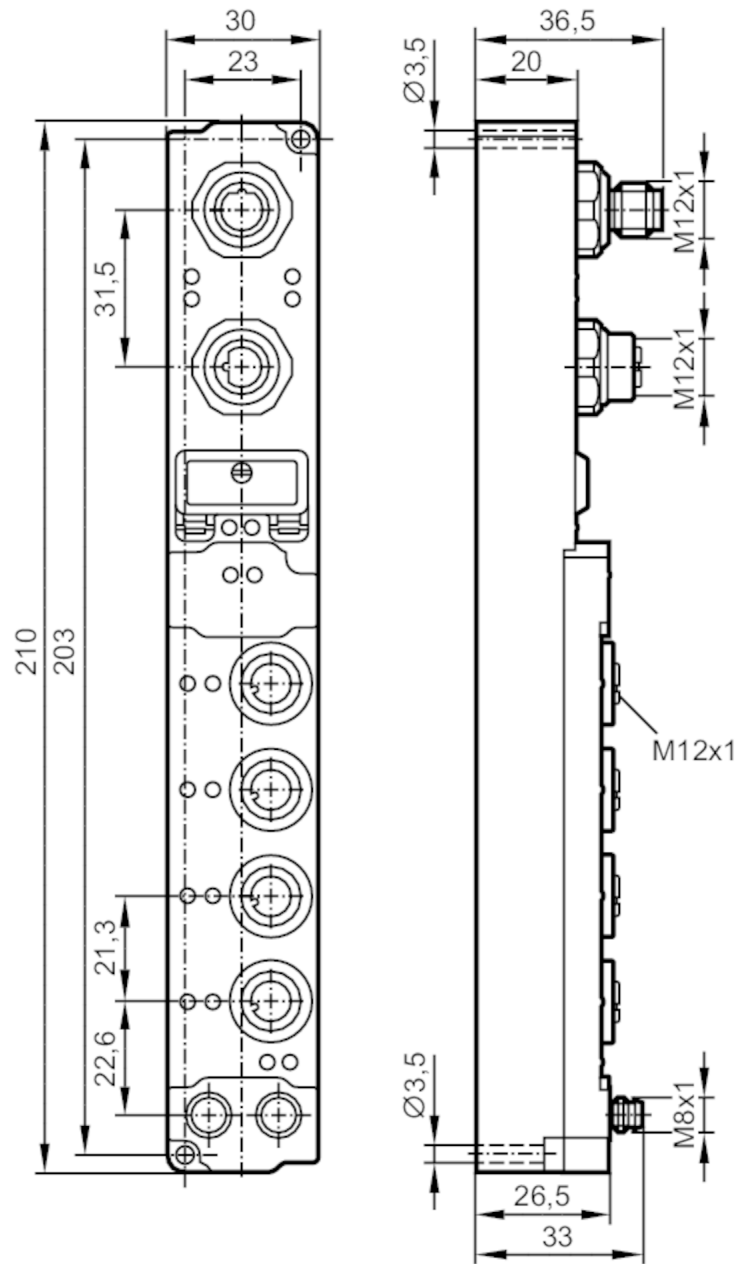
AC2638



I/O module for field applications

FieldModuleDP 4AI (V) M12

discontinued article



Electrical data

Operating voltage	[V]	20...29 DC
Current consumption	[mA]	< 140
Electrical separation		no

Inputs / outputs

Number of inputs and outputs	Number of analogue inputs: 4
------------------------------	------------------------------

AC2638



I/O module for field applications

FieldModuleDP 4AI (V) M12

Inputs	
Number of analogue inputs	4
Sensor supply of the inputs	from load voltage
Analogue input (voltage) [V]	10...0

Accuracy / deviations	
Measuring error [% of the final value]	$< \pm 0,3$

Interfaces	
PROFIBUS	
Transmission rate	9,6...12000 kBit/s

Operating conditions	
Ambient temperature [°C]	0...55
Storage temperature [°C]	-25...85
Protection	IP 67

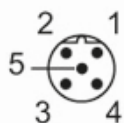
Tests / approvals		
EMC	EN 50081-2	
	EN 50082-2	
Vibration resistance	IEC 68	parts 2-6 / IEC 68, parts 2-27

Mechanical data	
Weight [g]	300
Materials	housing: PA 6; potting compound: PU; contact pins: brass gold-plated

Remarks	
Pack quantity	1 pcs.

Electrical connection - PROFIBUS

Connector: M12



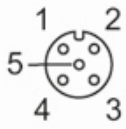
I/O module for field applications

FieldModuleDP 4AI (V) M12

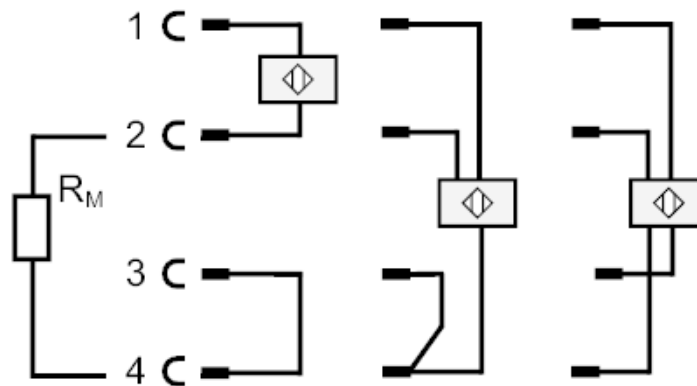
	plug M12 PROFIBUS In
1	not used
2	wire A
3	GND
4	wire B
5	Screen
	socket M12 PROFIBUS Out
1	5 V DC
2	wire A
3	GND
4	wire B
5	Screen

Electrical connection - Process connection

Connector: M12



Connection



	socket M12 Inputs
1	Sensor supply UL
2	input +
3	GND
4	input -
5	Screen

AC2638



I/O module for field applications

FieldModuleDP 4AI (V) M12

Electrical connection - voltage supply

Connector: M8



	plug M8
1	24 V DC UB
2	24 V DC UL
3	GND
4	GND
	socket M8
1	24 V DC UB
2	24 V DC UL
3	GND
4	GND