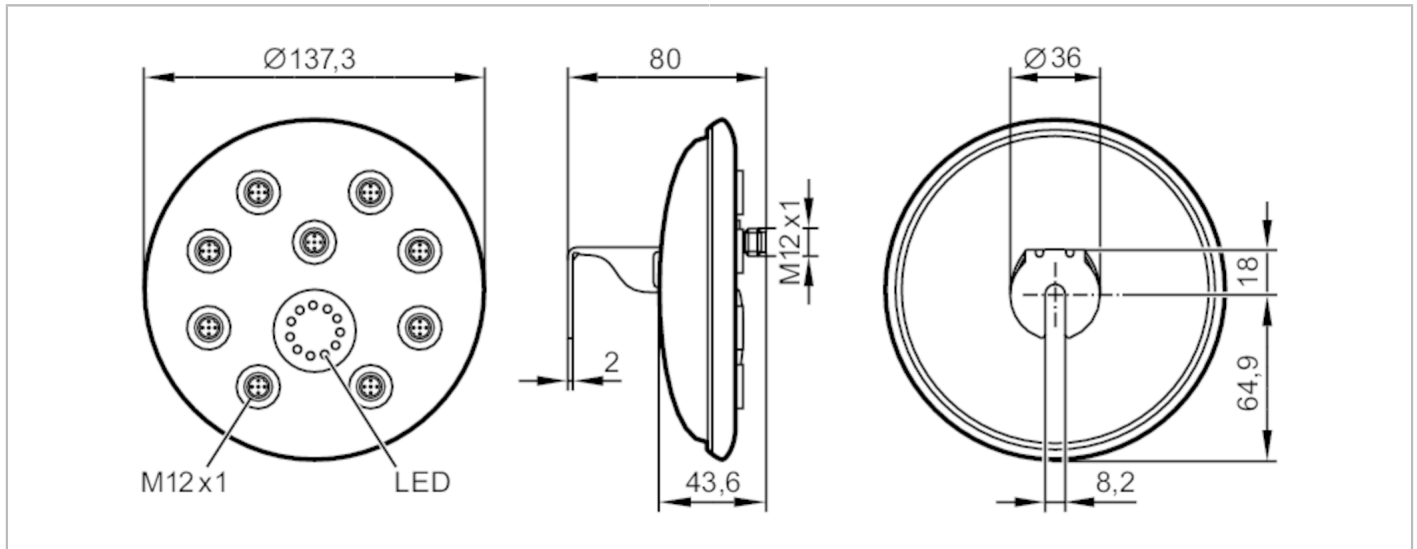


AC2910



AS-Interface ProcessLine module

ProcessLine 8DI IP69K



Application	
Application	for hygienic and wet areas in the food industry
Electrical data	
Operating voltage [V]	26.5...31.6 DC
Max. current consumption from AS-i [mA]	500
Inputs / outputs	
Number of inputs and outputs	Number of digital inputs: 8
Inputs	
Number of digital inputs	8; (2 x Slave)
Input circuit of digital inputs	PNP; (type 2 according to IEC 61131-2)
Sensor supply of the inputs	AS-i
Voltage supply [V]	18...30; (DC)
Max. total current rating of inputs [mA]	400
Input current High [mA]	6...10
Input current Low [mA]	0...2
Min. switching level high signal [V]	11
Digital inputs protected against short circuits	yes
Operating conditions	
Ambient temperature [°C]	-5...70
Protection	IP 68; IP 69K
Tests / approvals	
EMC	EN 62026-2 EN 61000-6-2
MTTF [years]	212

AC2910



AS-Interface ProcessLine module

ProcessLine 8DI IP69K

AS-i classification					
AS-i version	2.1				
Extended addressing mode	yes				
AS-i profile	S-0.A.E				
AS-i I/O configuration [hex]	0				
AS-i ID code [hex]	A.E				
AS-i certificate	88901				
Assignment of the data bits	data bit	D0	D1	D2	D3
	input	1	2	3	4
	socket	I-1/2	I-1/2 I-2	I-3/4	I-3/4 I-4
	pin	4	2 4	4	2 4

Mechanical data	
Weight [g]	644
Dimensions [mm]	Ø 137.3 / L = 80
Materials	threaded bush: stainless steel (1.4404 / 316L); PC; O-ring: EPDM

Displays / operating elements		
Display	operation	LED, green
	errors	LED, red
	function	LED, yellow

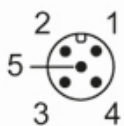
Electrical connection	
AS-i bus connection	M12

Accessories	
Items supplied	Protective cap: M12, E70297 Torque wrench:, E70390
Accessories (optional)	Flat cable insulation displacement connector:, E70454 Flat cable insulation displacement connector:, E70354

Remarks	
Remarks	Inputs and outputs must be electrically isolated. Do not connect any of the following points to an external potential: I-, I+, I-1/2, I-2, I-3/4, I-4 The connections are electrically connected with the AS-i cable. default setting of the ID1 codes: slave 1=1 / slave 2=2 The round cable connected to AS-i should not be longer than 2 m.
Pack quantity	1 pcs.

Electrical connection - AS-i

Connector: M12





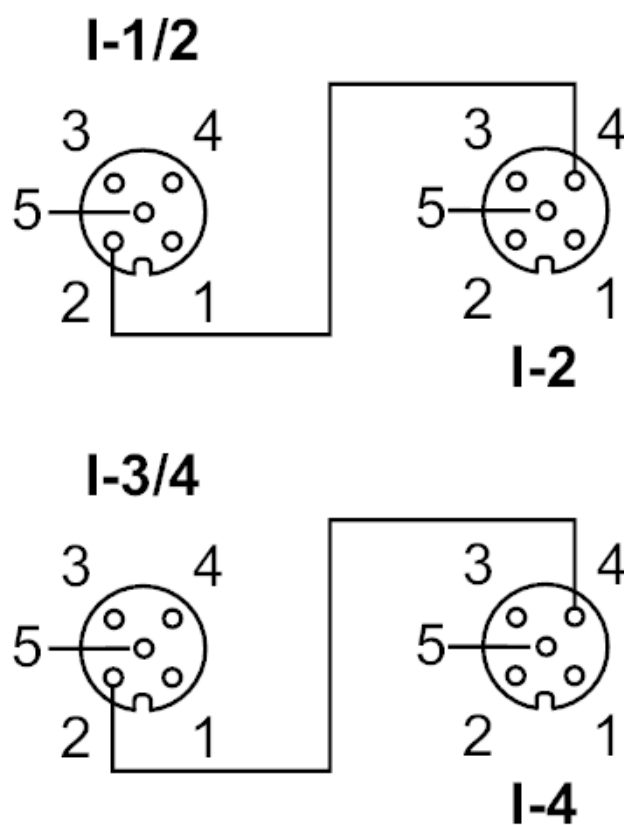
AS-Interface ProcessLine module

ProcessLine 8DI IP69K

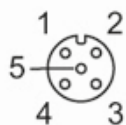
1	AS-i+
2	n.c.
3	AS-i -
4	n.c.
5	functional earth FE

Electrical connection - Inputs

Connection



Connector: M12



1	Sensor supply L+
3	Sensor supply L-
5	functional earth