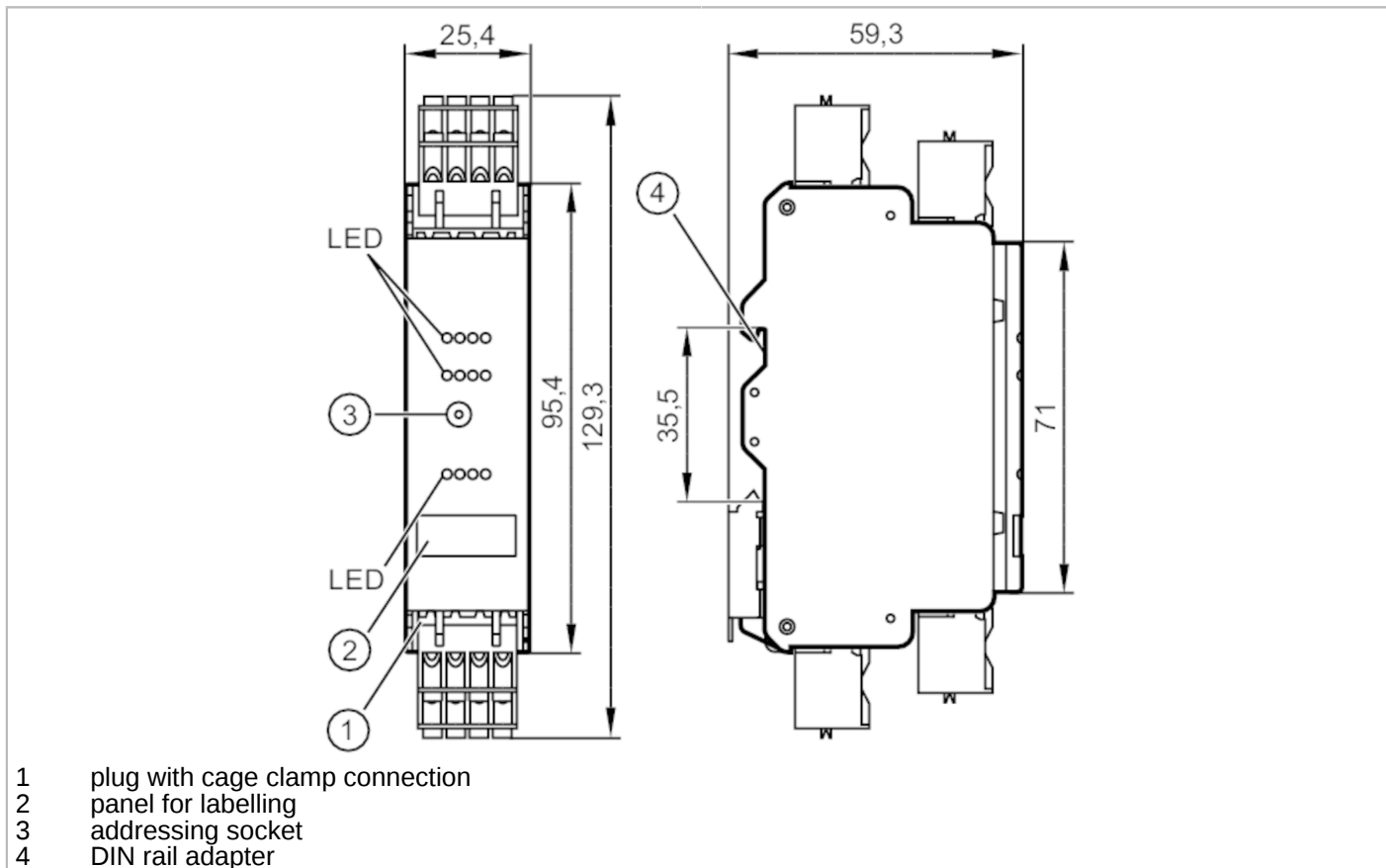


AC3200



AS-Interface control cabinet module

SmartL25 4DI 4DO T C



Application	
Design	only for operation with AS-i masters with the profile M4
Application	Installation in control cabinets
Electrical data	
Operating voltage [V]	18...31.6 DC
Max. current consumption from AS-i [mA]	250
Additional voltage supply [V]	20...30 DC; (AUX)
Max. current consumption from additional supply [mA]	4000; (AUX)
Integrated watchdog	yes
Inputs / outputs	
Number of inputs and outputs	Number of digital inputs: 4; Number of digital outputs: 4



AS-Interface control cabinet module

SmartL25 4DI 4DO T C

Inputs	
Number of digital inputs	4
Input circuit of digital inputs	PNP; (type 2 according to IEC 61131-2)
Sensor supply of the inputs	AS-i
Voltage supply [V]	18...30; (DC)
Max. total current rating of inputs [mA]	200
Input current High [mA]	6...10
Input current Low [mA]	0...2
Min. switching level high signal [V]	11
Digital inputs protected against short circuits	yes
Outputs	
Number of digital outputs	4
Circuit	PNP
Voltage range DC [V]	20...30; (AUX)
Max. current load per output [mA]	1000; (utilisation category DC-12: 700 mA; utilisation category DC-13 (control of electromagnets): 20 W (IEC 60947-5-1))
Max. current load outputs total [A]	4
Short-circuit proof	yes
Electrically separated	yes
Actuator supply outputs	AUX
Operating conditions	
Ambient temperature [°C]	-25...60
Note on ambient temperature	the derating of the current load indicated in the operating instructions is to be taken into account at the following ambient temperature: > 40 °C
Storage temperature [°C]	-25...75
Max. relative air humidity [%]	90; (non condensing)
Max. height above sea level [m]	2000
Protection	IP 20
Protection rating terminals	IP 20
Degree of soiling	2
Tests / approvals	
EMC	EN 62026-2
	EN 61000-6-2
	EN 61000-6-3
MTTF [years]	261
Notes	The device shall be supplied from an isolating source.; This voltage source must have a secondary UL-listed fuse (see enclosed sheet).; Alternatively, a class 2 power supply can be used to supply AUX.

AS-Interface control cabinet module

SmartL25 4DI 4DO T C

AS-i classification					
AS-i version	3.0				
AS-i addressing	addressing socket				
Extended addressing mode	yes				
AS-i profile	S-7.A.7				
AS-i I/O configuration [hex]	7				
AS-i ID code [hex]	A.7				
AS-i ID1 code [hex]	7; (fixed)				
AS-i certificate	124401				
Assignment of the data bits	data bit	D0	D1	D2	D3
	input	I-1	I-2	I-3	I-4
	Output	O-1	O-2	O-3	O-4

Mechanical data	
Weight [g]	152
Type of mounting	mounting on DIN rail
Materials	plastics; PC-GF20

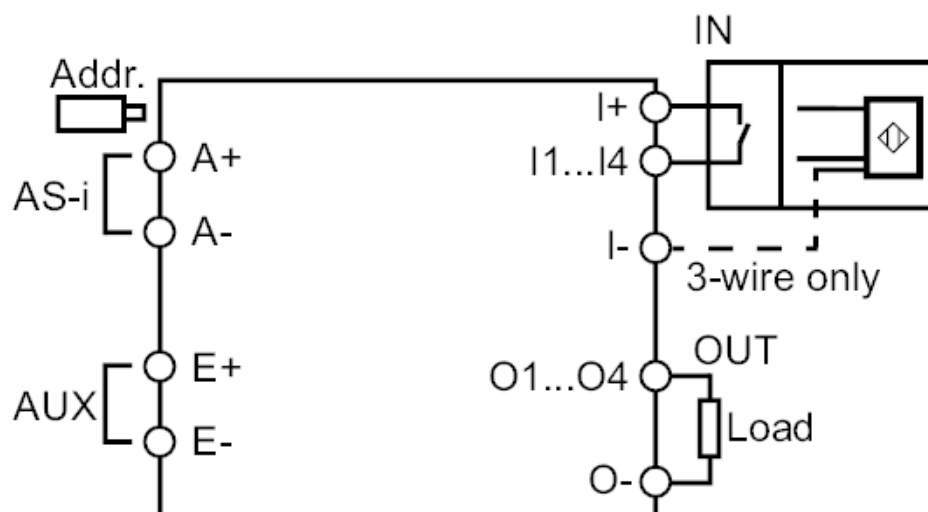
Displays / operating elements		
Display	switching status	LED, yellow I1...I4, O1...O4
	operation	LED, green AS-i, AUX
	errors	LED, red

Accessories	
Items supplied	cage clamps

Remarks	
Remarks	Do not connect any of the following points to an external potential: I-, I+, I1, I2, I3, I4
	The connections are electrically connected with the AS-i cable.
Pack quantity	1 pcs.

Electrical connection	
pin headers: 4 x ; Spacing: 5.0 mm	

Connection



AC3200



AS-Interface control cabinet module

SmartL25 4DI 4DO T C

A+	AS-i +
A-	AS-i -
I+	Sensor supply +24V
I-	Sensor supply 0V
E+	external voltage supply for actuators +24V (AUX)
E-	external voltage supply for actuators 0V (AUX)
I1...I4	switching input sensor 1...4
O1...O4	switching output actuator 1...4
O-	switching output actuator 0V