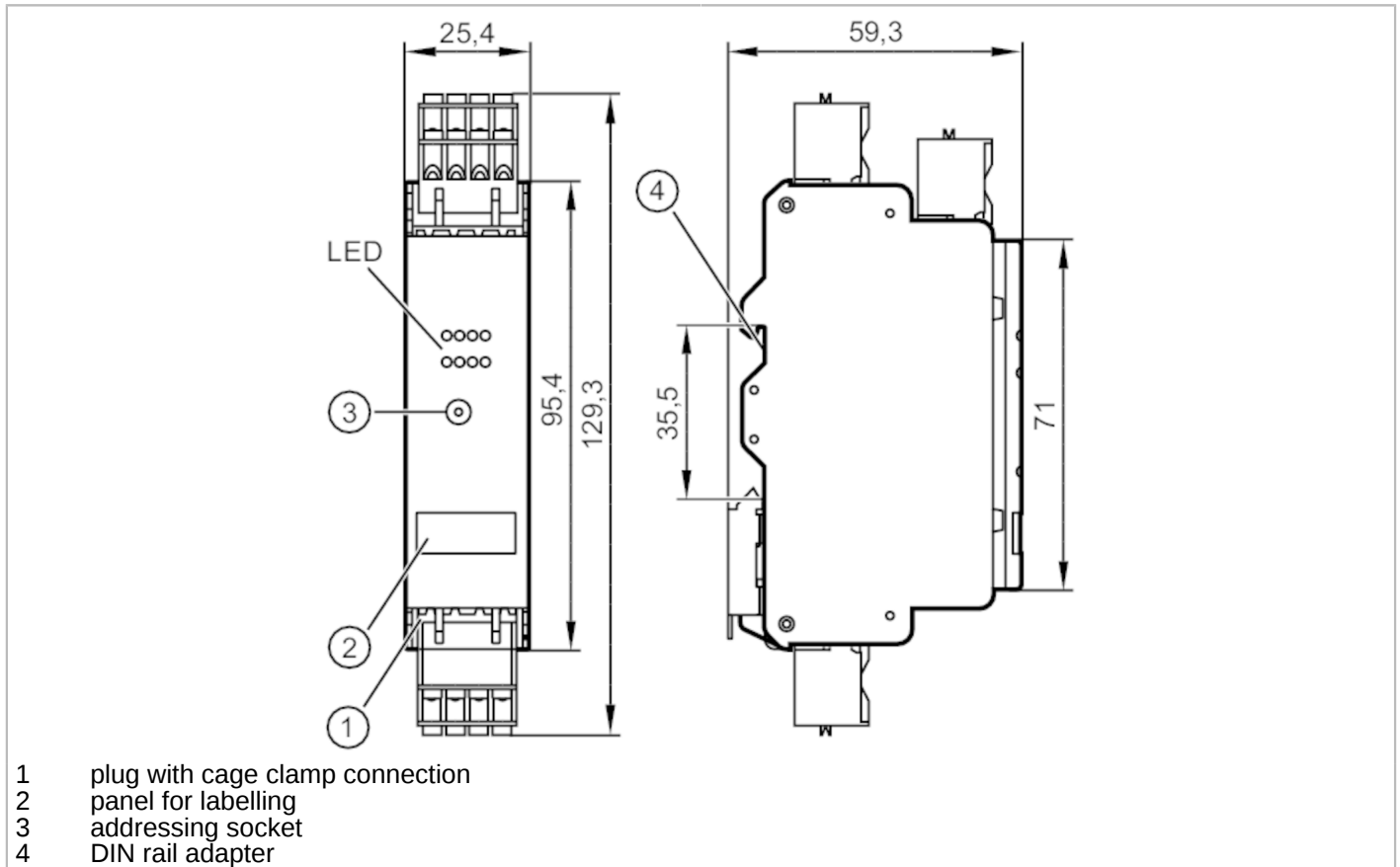




## AS-Interface control cabinet module

SmartL25 4 DI T C



Application	
Application	Installation in control cabinets
Electrical data	
Operating voltage [V]	18...31.6 DC
Max. current consumption from AS-i [mA]	250
Inputs / outputs	
Number of inputs and outputs	Number of digital inputs: 4
Inputs	
Number of digital inputs	4
Input circuit of digital inputs	PNP; (type 2 according to IEC 61131-2)
Sensor supply of the inputs	AS-i
Voltage supply [V]	18...30; (DC)
Max. total current rating of inputs [mA]	200
Input current High [mA]	6...10
Input current Low [mA]	0...2
Min. switching level high signal [V]	11
Digital inputs protected against short circuits	yes



## AS-Interface control cabinet module

SmartL25 4 DI T C

Operating conditions					
Ambient temperature	[°C]				-25...60
Storage temperature	[°C]				-25...75
Max. relative air humidity	[%]				90; (non condensing)
Max. height above sea level	[m]				2000
Protection					IP 20
Protection rating terminals					IP 20
Degree of soiling					2
Tests / approvals					
EMC		EN 62026-2			
		EN 61000-6-2			
		EN 61000-6-3			
MTTF	[years]				437
AS-i classification					
AS-i version					2.11; 3.0
AS-i addressing					addressing socket
Extended addressing mode					yes
AS-i profile					S-0.A.E
AS-i I/O configuration	[hex]				0
AS-i ID code	[hex]				A.E
AS-i certificate					124402
Assignment of the data bits	data bit	D0	D1	D2	D3
	input	I-1	I-2	I-3	I-4
Mechanical data					
Weight	[g]				164.5
Type of mounting					mounting on DIN rail
Materials					plastics; PC-GF20
Displays / operating elements					
Display	switching status				LED, yellow I1...I4
	operation				LED, green AS-i
	errors				LED, red
Accessories					
Items supplied					cage clamps
Remarks					
Remarks		Do not connect any of the following points to an external potential:			
		I-, I+, I1, I2, I3, I4			
		The connections are electrically connected with the AS-i cable.			
Pack quantity					1 pcs.

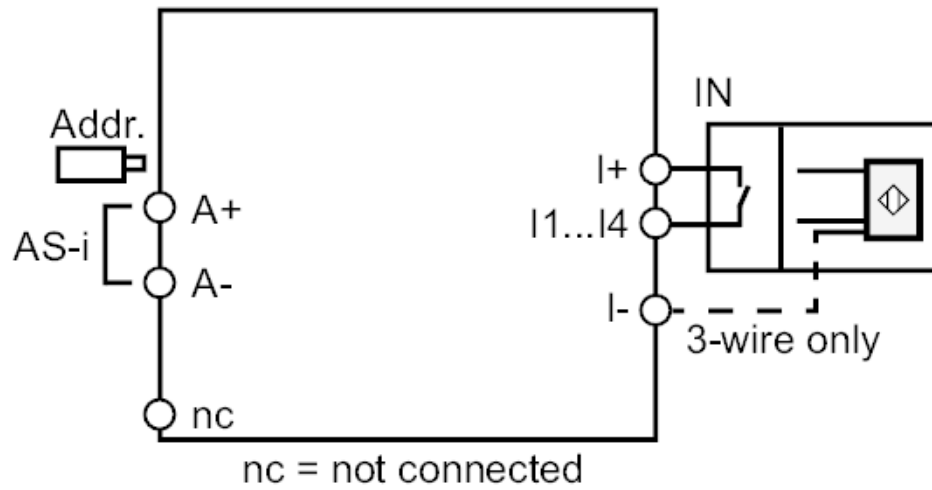
## AS-Interface control cabinet module

SmartL25 4 DI T C

### Electrical connection

pin headers: 4 x ; Spacing: 5.0 mm

### Connection



A+	AS-i +
A-	AS-i -
I+	Sensor supply +24V
I-	Sensor supply 0V
I1...I4	switching input sensor 1...4
n.c.	not used