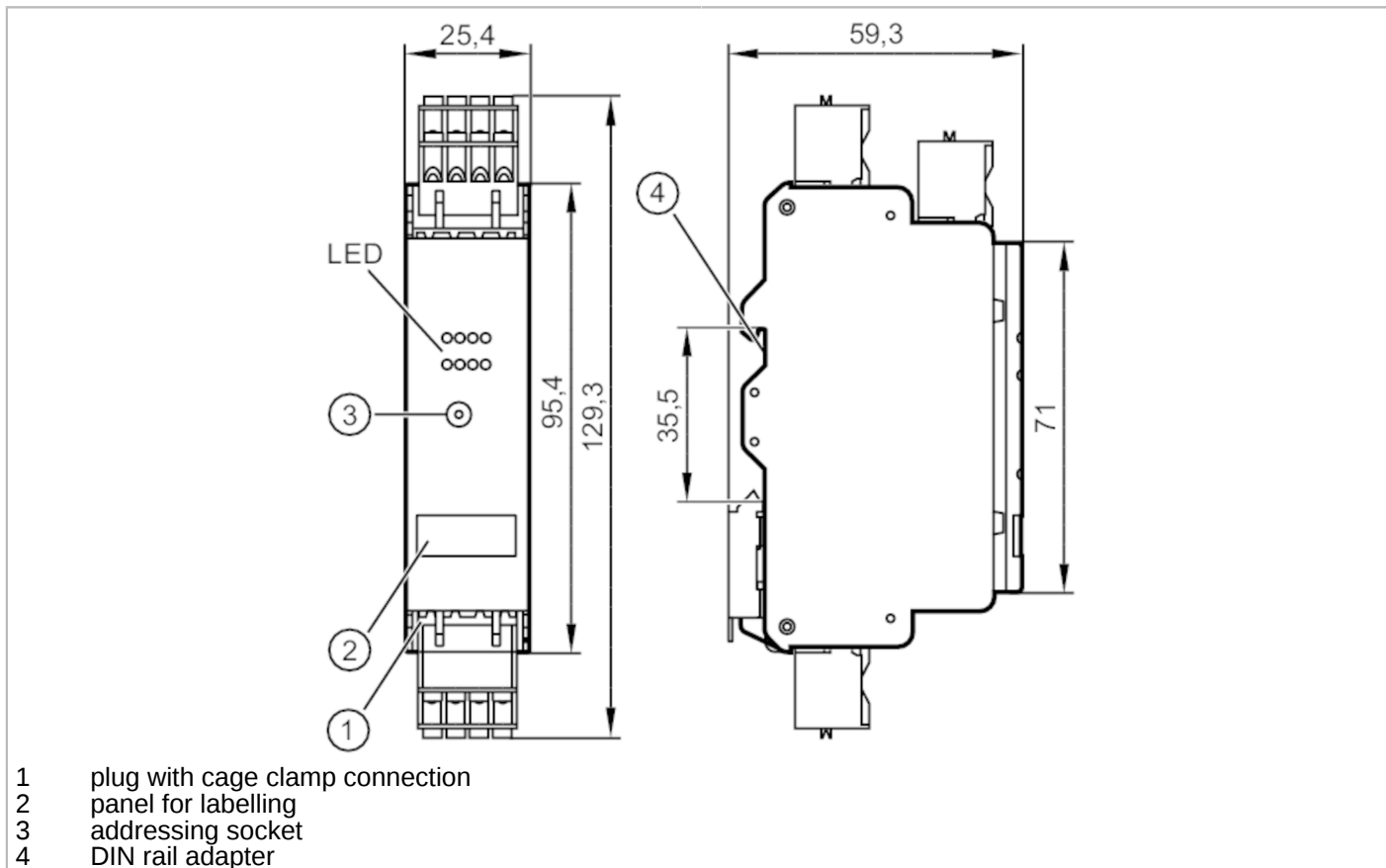


AC3204



AS-Interface control cabinet module

SmartL25 4 DI AUX T C



Application	
Application	Installation in control cabinets
Electrical data	
Operating voltage [V]	18...31.6 DC
Max. current consumption from AS-i [mA]	30
Additional voltage supply [V]	20...30 DC; (AUX)
Max. current consumption from additional supply [mA]	1100; (AUX)
Inputs / outputs	
Number of inputs and outputs	Number of digital inputs: 4



AS-Interface control cabinet module

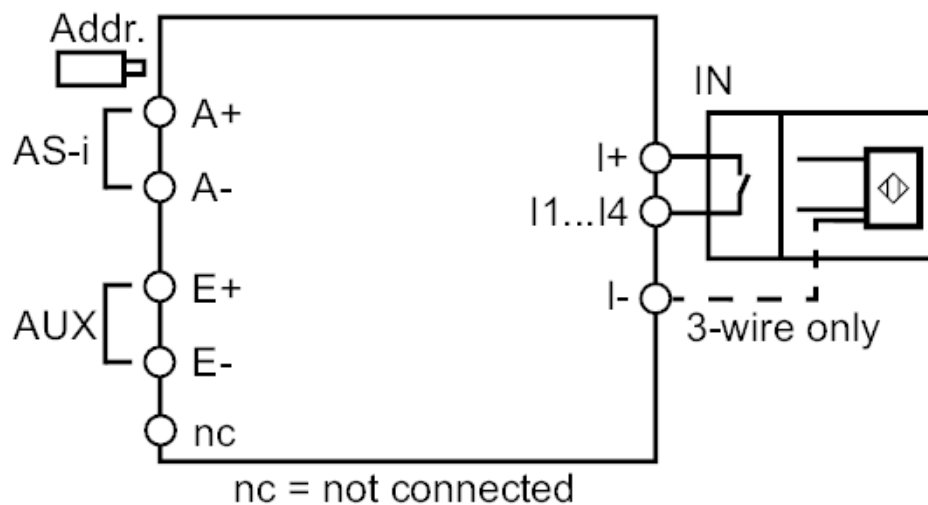
SmartL25 4 DI AUX T C

Inputs											
Number of digital inputs	4										
Input circuit of digital inputs	PNP; (type 2 according to IEC 61131-2)										
Sensor supply of the inputs	AUX										
Voltage supply [V]	18...30; (DC AUX)										
Max. total current rating of inputs [mA]	1000										
Input current High [mA]	6...10										
Input current Low [mA]	0...2										
Min. switching level high signal [V]	11										
Digital inputs protected against short circuits	yes										
Operating conditions											
Ambient temperature [°C]	-25...60										
Storage temperature [°C]	-25...75										
Max. relative air humidity [%]	90; (non condensing)										
Max. height above sea level [m]	2000										
Protection	IP 20										
Protection rating terminals	IP 20										
Degree of soiling	2										
Tests / approvals											
EMC	EN 62026-2										
	EN 61000-6-2										
	EN 61000-6-3										
MTTF [years]	336										
Notes	The device shall be supplied from an isolating source.; This voltage source must have a secondary UL-listed fuse (see enclosed sheet).; Alternatively, a class 2 power supply can be used to supply AUX.										
AS-i classification											
AS-i version	2.11; 3.0										
AS-i addressing	addressing socket										
Extended addressing mode	yes										
AS-i profile	S-0.A.E										
AS-i I/O configuration [hex]	0										
AS-i ID code [hex]	A.E										
AS-i certificate	124404										
Assignment of the data bits	<table border="1"> <thead> <tr> <th>data bit</th> <th>D0</th> <th>D1</th> <th>D2</th> <th>D3</th> </tr> </thead> <tbody> <tr> <td>input</td> <td>I-1</td> <td>I-2</td> <td>I-3</td> <td>I-4</td> </tr> </tbody> </table>	data bit	D0	D1	D2	D3	input	I-1	I-2	I-3	I-4
data bit	D0	D1	D2	D3							
input	I-1	I-2	I-3	I-4							
Mechanical data											
Weight [g]	133										
Type of mounting	mounting on DIN rail										
Materials	plastics; PC-GF20										

AS-Interface control cabinet module

SmartL25 4 DI AUX T C

Displays / operating elements	
Display	switching status
	operation
	errors
LED, yellow I1...I4	
LED, green AS-i, AUX	
LED, red	
Accessories	
Items supplied	cage clamps
Remarks	
Pack quantity	1 pcs.
Electrical connection	
pin headers: 4 x ; Spacing: 5.0 mm	
Connection	



A+	AS-i +
A-	AS-i -
I+	Sensor supply +24V
I-	Sensor supply 0V
E+	external voltage supply for sensors + 24 V (AUX)
E-	external voltage supply for sensors 0 V (AUX)
I1...I4	switching input sensor 1...4