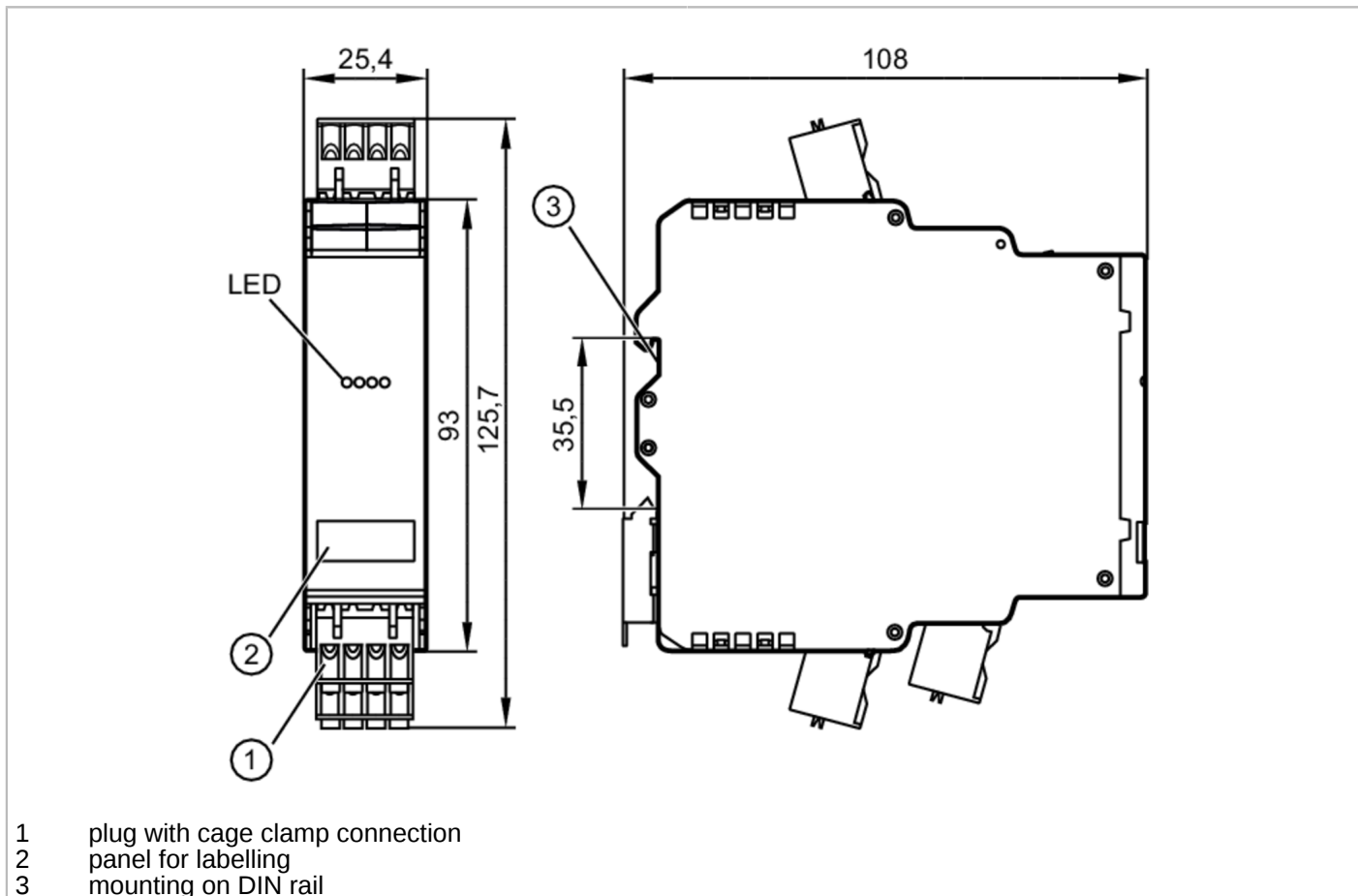


AC3226



AS-Interface repeater

SmartL25 AS-i Repeater III



| Application | |
|---|--|
| Application | extension of the AS-i network by another 100 m |
| Electrical data | |
| Operating voltage [V] | 26.5...31.6 DC |
| Max. current consumption from AS-i [mA] | 60; (per AS-i line) |
| Outputs | |
| Electrical design | AS-i |
| Electrically separated | yes |
| Operating conditions | |
| Ambient temperature [°C] | -25...70 |
| Note on ambient temperature | cULus: ... 65 °C |
| Storage temperature [°C] | -25...75 |
| Max. relative air humidity [%] | 90; (non condensing) |
| Max. height above sea level [m] | 2000 |
| Protection | IP 20 |
| Degree of soiling | 2 |

AC3226



AS-Interface repeater

SmartL25 AS-i Repeater III

| Tests / approvals | | |
|-------------------------------|----------------|------------------------------|
| EMC | EN 62026-2 | |
| | Ta | -25...70 °C |
| UL approval | Enclosure type | IP20 |
| | voltage supply | Low Voltage / Limited Energy |
| | File number UL | E205959 |
| AS-i classification | | |
| AS-i certificate pending | | yes |
| Mechanical data | | |
| Weight [g] | | 170 |
| Type of mounting | | mounting on DIN rail |
| Materials | | PA 6.6 |
| Displays / operating elements | | |
| Display | operation | 2 x LED, green |
| | function | LED, yellow |
| Accessories | | |
| Items supplied | | COMBICON connectors |
| | | Link for bus termination |
| Remarks | | |
| Pack quantity | | 1 pcs. |

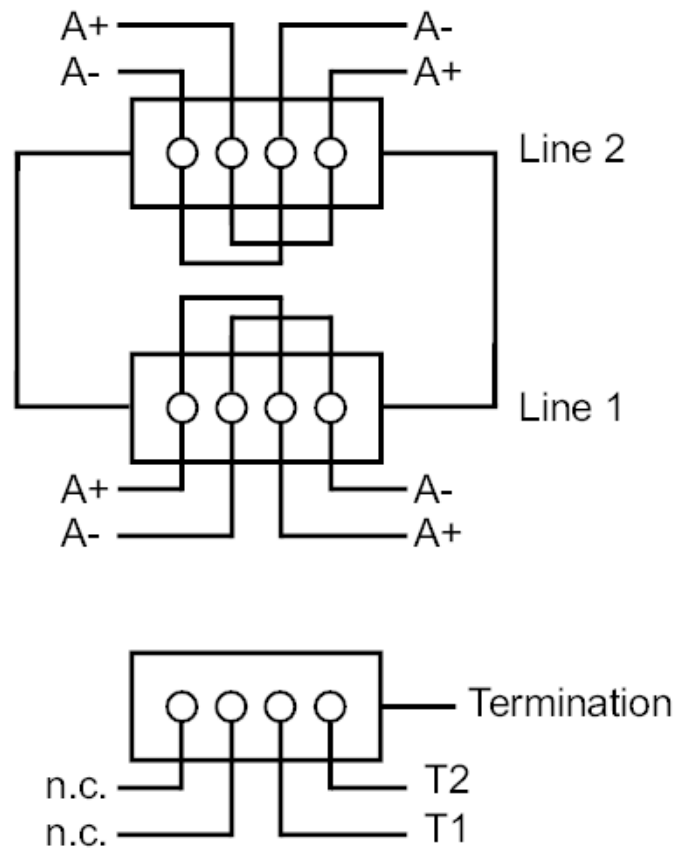


AS-Interface repeater

SmartL25 AS-i Repeater III

Electrical connection

Connection



| | |
|-----|--------------------------|
| | outgoing AS-i cable |
| A2- | AS-i - line 2 |
| A2+ | AS-i + line 2 |
| A2- | AS-i - line 2 |
| A2+ | AS-i + line 2 |
| | incoming AS-i cable |
| A1+ | AS-i + line 1 |
| A1- | AS-i - line 1 |
| A1+ | AS-i + line 1 |
| A1- | AS-i - line 1 |
| T1 | Link for bus termination |
| T2 | Link for bus termination |