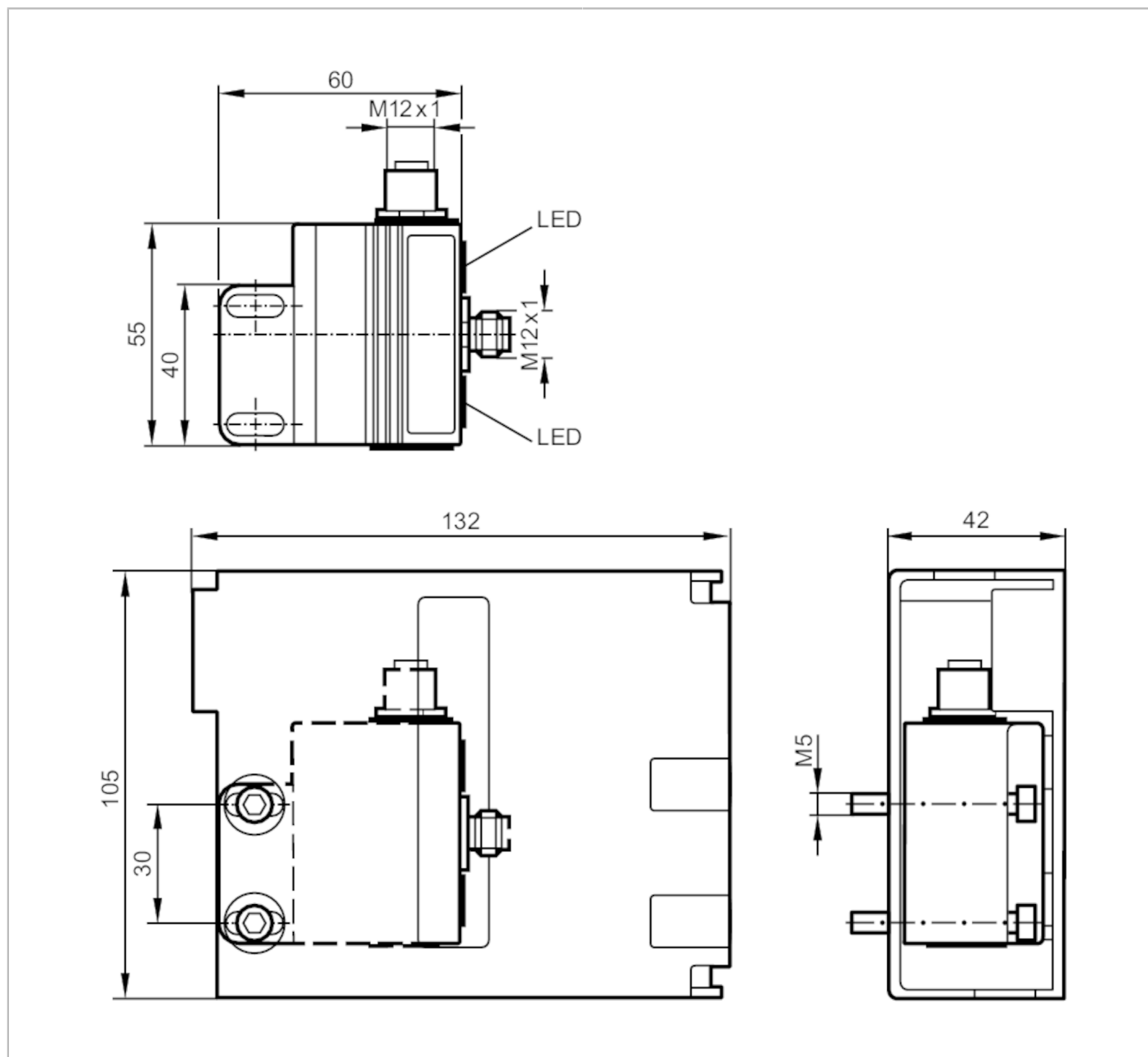


AC327A



AS-Interface dual sensor for pneumatic valve actuators

DUAL SENSOR T6 2SI 2DO T 3D



Product characteristics

Sensing range	[mm]	4
Dimensions	[mm]	55 x 60 x 35

Electrical data


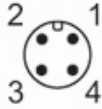
Operating voltage	[V]	26.5...31.6 DC
Current consumption	[mA]	< 260
Protection class		III

AC327A



AS-Interface dual sensor for pneumatic valve actuators

DUAL SENSOR T6 2SI 2DO T 3D

Detection zone		
Sensing range [mm]	4	
Operating distance target puck [mm]	74	
Operating conditions		
Ambient temperature [°C]	-10...50	
Protection	IP 5x; (when used outside the hazardous area: IP 67)	
Tests / approvals		
ATEX marking	 II 3D Ex tc IIIB T85°Dc IP5X X	
Note on ATEX marking	only in conjunction with the impact protection housing	
EMC	EN 50295	
AS-i classification		
AS-i version	2.1	
Extended addressing mode	yes	
AS-i I/O configuration [hex]	7	
AS-i ID code [hex]	A.E	
Mechanical data		
Weight [g]	783.5	
Dimensions [mm]	55 x 60 x 35	
Materials	housing: PBT orange; cover: PC black; Impact protection housing: stainless steel	
Displays / operating elements		
Display	operation	1 x LED, green
	function	1 x LED, yellow
Accessories		
Items supplied	Impact protection housing	
	Mounting plate: 1	
	socket head screws: 2 x M5 x 35	
Remarks		
Remarks	The outputs must not be set simultaneously if the total load current exceeds 100 mA.	
Pack quantity	1 pcs.	
Electrical connection - plug		
Connector: 1 x M12; Moulded body: stainless steel		
		
Elektrischer Anschluss		
1	AS-i+	
3	AS-i -	

AC327A

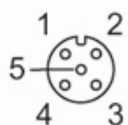


AS-Interface dual sensor for pneumatic valve actuators

DUAL SENSOR T6 2SI 2DO T 3D

Electrical connection - socket

Connector: 1 x M12; Moulded body: stainless steel



Connection

Ausgänge

2	switching output 2 +
3	external voltage -
4	switching output 1 +
1, 5	nicht belegt