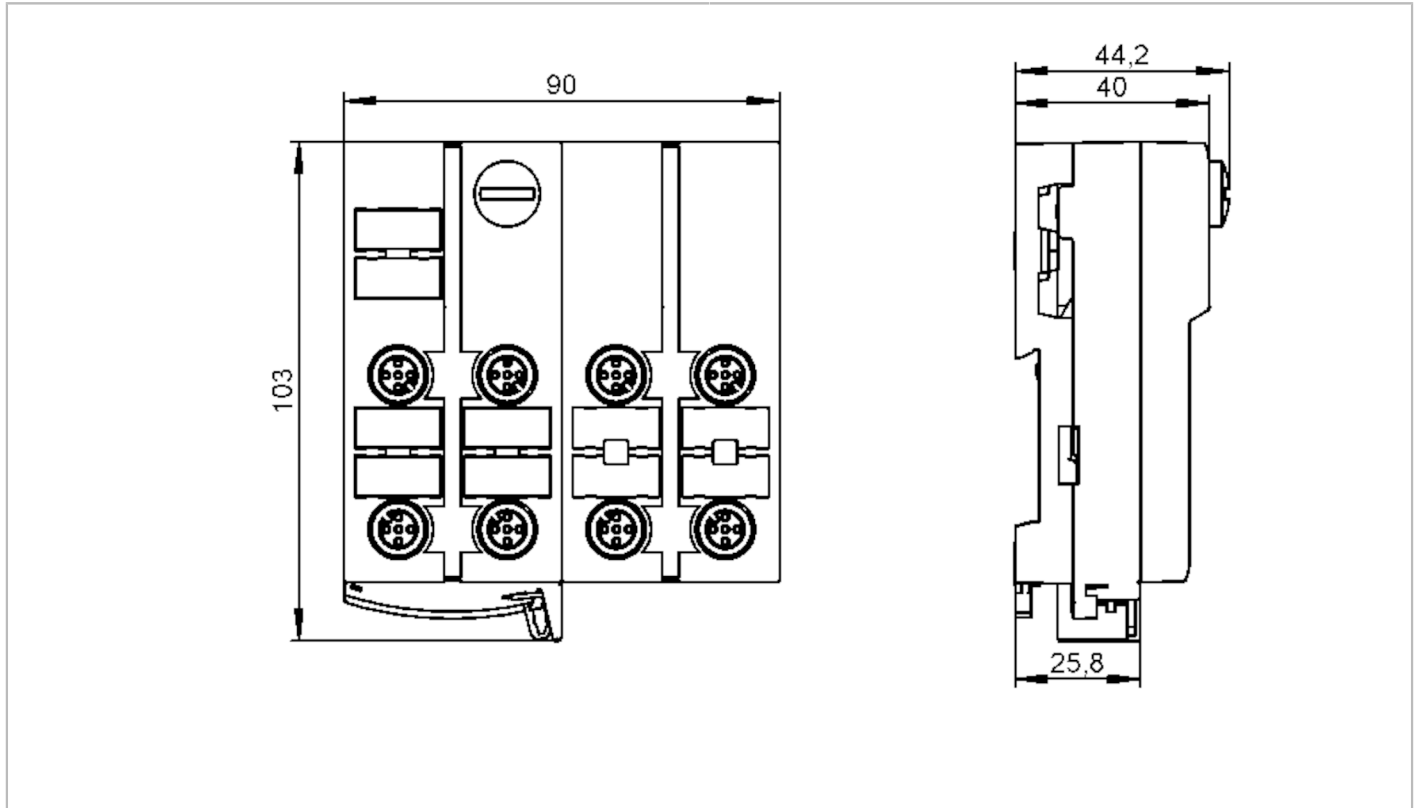


AC5210



AS-Interface ClassicLine module with quick mounting technology

ClassicLine 8DI-Y IP67



Application	
Application	field installation
Electrical data	
Operating voltage [V]	26.5...31.6 DC; ("supply class 2" to cULus)
Max. current consumption from AS-i [mA]	300
Inputs / outputs	
Number of inputs and outputs	Number of digital inputs: 8
Inputs	
Number of digital inputs	8; (2 x Slave)
Input circuit of digital inputs	PNP
Sensor supply of the inputs	AS-i
Voltage supply [V]	18...30
Max. total current rating of inputs [mA]	250; (2 x 125)
Input current High [mA]	6...10
Input current Low [mA]	0...2
Min. switching level high signal [V]	11
Digital inputs protected against short circuits	yes



AS-Interface ClassicLine module with quick mounting technology

ClassicLine 8DI-Y IP67

Operating conditions					
Ambient temperature	[°C]	-25...70			
Protection		IP 67			
Tests / approvals					
EMC		EN 50295			
		IEC 61000-6-2			
MTTF	[years]	218			
AS-i classification					
AS-i version		2.11; 3.0			
AS-i addressing		addressing socket			
Extended addressing mode		yes			
AS-i profile		S-0.A.E			
AS-i I/O configuration	[hex]	0			
AS-i ID code	[hex]	A.E			
AS-i certificate		89001			
Assignment of the data bits	data bit	D0	D1	D2	D3
	input	1	2	3	4
	socket	I-1/2	I-1/2 I-2	I-3/4	I-3/4 I-4
	pin	4	2 4	4	2 4
Mechanical data					
Weight	[g]	284.5			
Type of mounting		AS-i flat cables directly connectable			
Materials		PA; piercing contacts: CuSn6 nickel-plated and tin-plated			
Displays / operating elements					
Display	operation	LED, green			
	errors	LED, red			
	function	LED, yellow			
Electrical connection					
AS-i bus connection		Flachkabel			
Accessories					
Items supplied		lower part			
Accessories (optional)		Protective cap: M12, E73004			
Remarks					
Remarks	Do not connect any of the following points to an external potential:				
	I-, I+, I1, I2, I3, I4				
Pack quantity	The connections are electrically connected with the AS-i cable.				
	default setting of the ID1 codes: slave 1=1 / slave 2=2				
Pack quantity		1 pcs.			



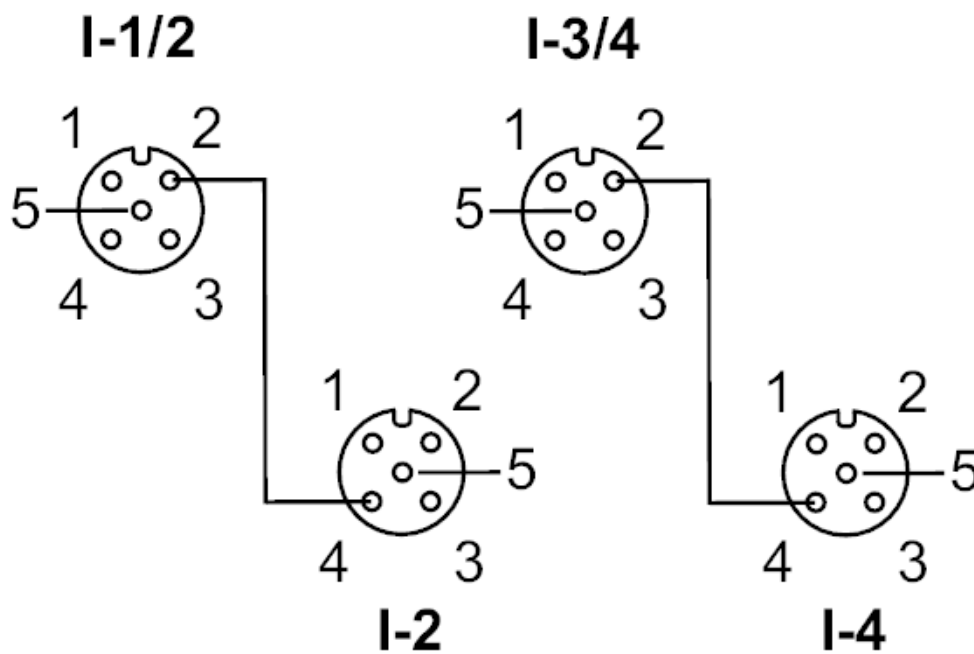
AS-Interface ClassicLine module with quick mounting technology

ClassicLine 8DI-Y IP67

Electrical connection

quick mounting technology for AS-i flat cable: ; three orientations possible

Connection



Connector: M12



AS-Interface ClassicLine module with quick mounting technology

ClassicLine 8DI-Y IP67

2x	Inputs
	socket I-1/2
1	Sensor supply L+
2	data input 2
3	Sensor supply L-
4	data input 1
5	not used
	socket I-2
1	Sensor supply L+
2	not used
3	Sensor supply L-
4	data input 2
5	not used
	socket I-3/4
1	Sensor supply L+
2	data input 4
3	Sensor supply L-
4	data input 3
5	not used
	socket I-4
1	Sensor supply L+
2	not used
3	Sensor supply L-
4	data input 4
5	not used