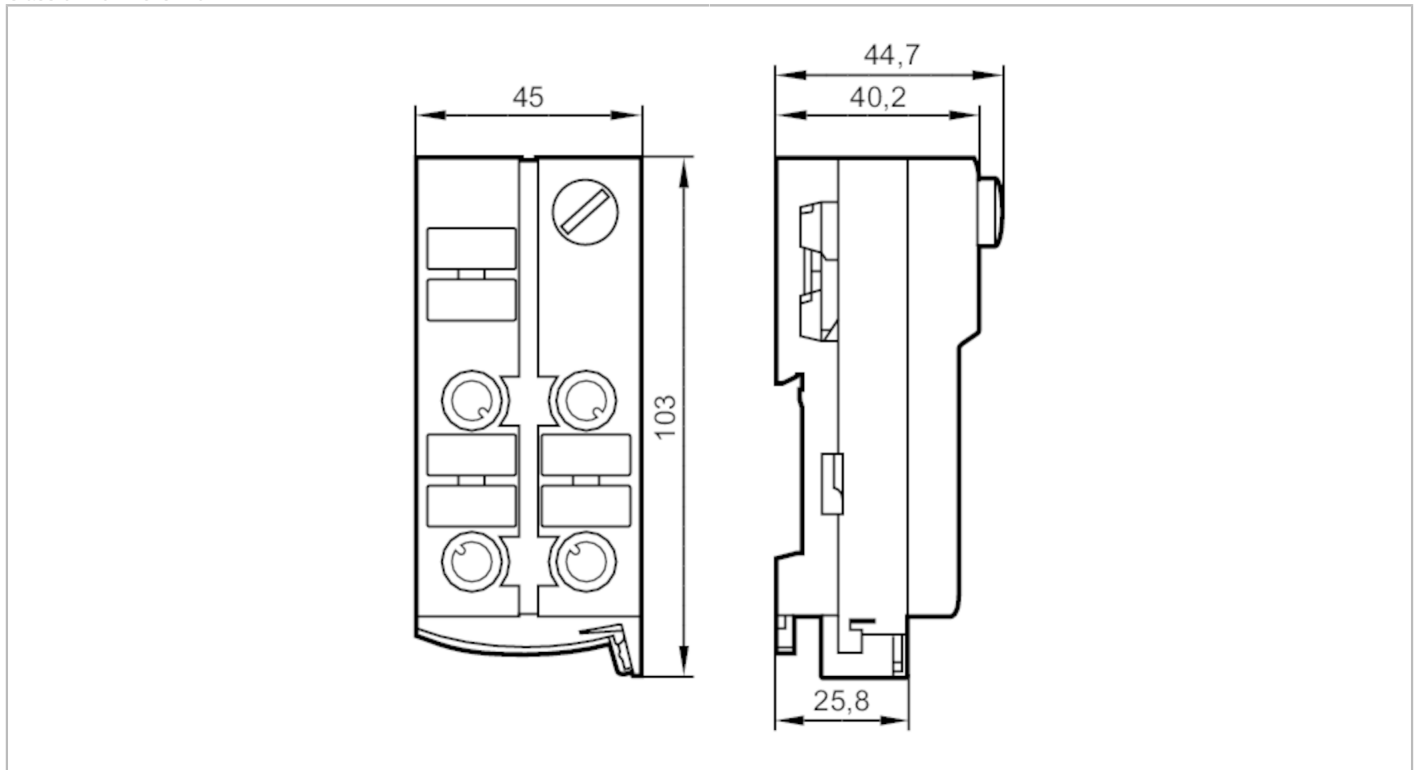


AC5218



AS-Interface ClassicLine module with quick mounting technology

ClassicLine 2AO C IP67



Product characteristics	
Number of inputs and outputs	Number of analogue outputs: 2
Application	
Application	field installation
Electrical data	
Operating voltage [V]	18...31.6 DC; ("supply class 2" to cULus)
Max. current consumption from AS-i [mA]	50
Reverse polarity protection	yes
Additional voltage supply [V]	16...30 DC; (AUX)
Inputs / outputs	
Number of inputs and outputs	Number of analogue outputs: 2
Outputs	
Number of analogue outputs	2
Analogue current output [mA]	4...20
Max. voltage drop across load for nominal current [V]	10
Resolution of analogue output	12 bit
Accuracy / deviations	
Measuring error [% of the final value]	0,5



AS-Interface ClassicLine module with quick mounting technology

ClassicLine 2AO C IP67

Operating conditions						
Ambient temperature [°C]	-25...70					
Protection	IP 67					
Tests / approvals						
EMC	EN 50295					
	EN 61000-6-2					
	EN 61000-6-3					
MTTF [years]	125					
AS-i classification						
AS-i version	2.11; 3.0					
Extended addressing mode	no					
AS-i profile	S-7.3.5					
AS-i I/O configuration [hex]	7					
AS-i ID code [hex]	3.5					
AS-i certificate	124001					
Assignment of the parameter bits	parameter bit	function				
	P0	watchdog analogue output	: 1	activated	* / 0	deactivated
	P1	peripheral fault indication channel	1: 1	activated	* / 0	deactivated
	P2	peripheral fault indication channel	2: 1	activated	* / 0	deactivated
	P3	not used	: 1	default value		
Mechanical data						
Weight [g]	183					
Materials	PA; piercing contacts: CuSn6 nickel-plated and tin-plated					
Displays / operating elements						
Display	operation	LED, green Voltage AS-i / 24 V AUX				
	errors	LED, red				
	function	LED, yellow channels AO1, AO2				
Electrical connection						
AS-i bus connection	Flachkabel					
Accessories						
Items supplied	lower part					
Accessories (optional)	Protective cap: M12, E73004					
Remarks						
Remarks	There is an electrical separation between AS-i and AUX and between AS-i and the analogue outputs.					
	The actuator supply on pins 1 and 3 can be used to supply the actuators. 3-wire connection possible via external link.					
Pack quantity	1 pcs.					



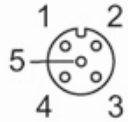
AS-Interface ClassicLine module with quick mounting technology

ClassicLine 2AO C IP67

Electrical connection

quick mounting technology for AS-i flat cable: ; three orientations possible

Connector: M12



	analogue output
1	actuator supply + 24 V
2	analogue output AO +
3	actuator supply 0 V
4	analogue output AO -
5	functional earth FE