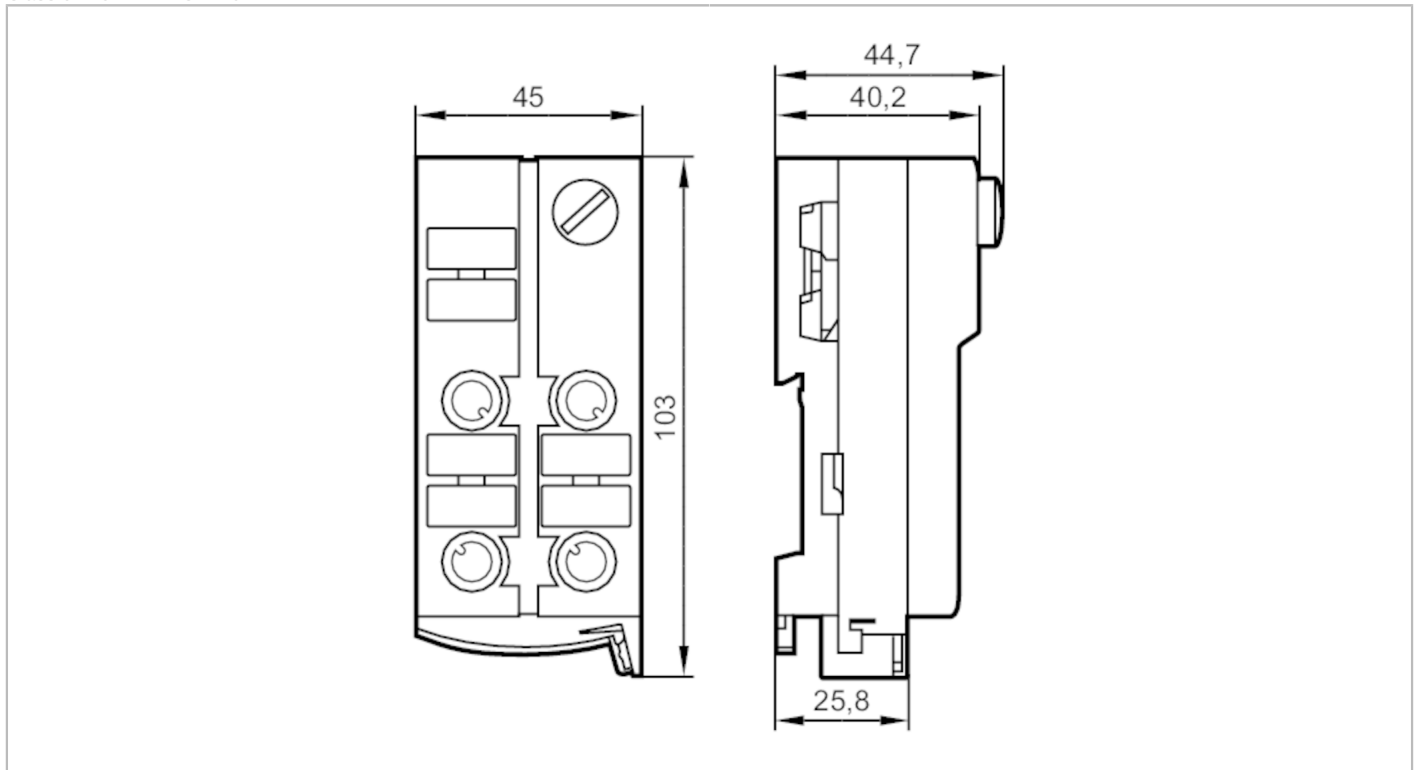


AC5290



AS-Interface ClassicLine module with quick mounting technology

ClassicLine 4DI-Y AUX IP67



Application	
Application	field installation
Electrical data	
Operating voltage [V]	26.5...31.6 DC; ("supply class 2" to cULus)
Max. current consumption from AS-i [mA]	30
Inputs / outputs	
Number of inputs and outputs	Number of digital inputs: 4
Inputs	
Number of digital inputs	4
Input circuit of digital inputs	PNP
Sensor supply of the inputs	AUX
Voltage supply [V]	20...30; (via flat cable)
Max. total current rating of inputs [mA]	1000
Input current High [mA]	6...10
Input current Low [mA]	0...2
Min. switching level high signal [V]	11
Digital inputs protected against short circuits	yes
Operating conditions	
Ambient temperature [°C]	-25...70
Protection	IP 67



AS-Interface ClassicLine module with quick mounting technology

ClassicLine 4DI-Y AUX IP67

Tests / approvals																																				
EMC	EN 50295 IEC 61000-6-2																																			
MTTF [years]	225																																			
AS-i classification																																				
AS-i version	2.11; 3.0																																			
AS-i addressing	addressing socket																																			
Extended addressing mode	yes																																			
AS-i profile	S-0.A.E																																			
AS-i I/O configuration [hex]	0																																			
AS-i ID code [hex]	A.E																																			
AS-i certificate pending	yes																																			
Assignment of the data bits	<table border="1"> <thead> <tr> <th>data bit</th> <th>D0</th> <th>D1</th> <th>D2</th> <th>D3</th> </tr> </thead> <tbody> <tr> <td>input</td> <td>1</td> <td>2</td> <td>3</td> <td>4</td> </tr> <tr> <td>socket</td> <td>I-1/2</td> <td>I-1/2 I-2</td> <td>I-3/4</td> <td>I-3/4 I-4</td> </tr> <tr> <td>pin</td> <td>4</td> <td>2 4</td> <td>4</td> <td>2 4</td> </tr> </tbody> </table>	data bit	D0	D1	D2	D3	input	1	2	3	4	socket	I-1/2	I-1/2 I-2	I-3/4	I-3/4 I-4	pin	4	2 4	4	2 4															
	data bit	D0	D1	D2	D3																															
	input	1	2	3	4																															
	socket	I-1/2	I-1/2 I-2	I-3/4	I-3/4 I-4																															
pin	4	2 4	4	2 4																																
Assignment of the parameter bits	<table border="1"> <thead> <tr> <th>parameter bit</th> <th>Designation</th> <th></th> <th></th> <th></th> <th></th> <th></th> </tr> </thead> <tbody> <tr> <td>P0</td> <td>not used</td> <td></td> <td></td> <td></td> <td></td> <td></td> </tr> <tr> <td>P1</td> <td>peripheral fault indication</td> <td>: 1</td> <td>activated</td> <td>* / 0</td> <td>deactivated</td> <td></td> </tr> <tr> <td>P2</td> <td>not used</td> <td></td> <td></td> <td></td> <td></td> <td></td> </tr> <tr> <td>P3</td> <td>not used</td> <td></td> <td></td> <td></td> <td></td> <td></td> </tr> </tbody> </table>	parameter bit	Designation						P0	not used						P1	peripheral fault indication	: 1	activated	* / 0	deactivated		P2	not used						P3	not used					
	parameter bit	Designation																																		
	P0	not used																																		
	P1	peripheral fault indication	: 1	activated	* / 0	deactivated																														
P2	not used																																			
P3	not used																																			
Mechanical data																																				
Weight [g]	173																																			
Type of mounting	AS-i flat cables directly connectable																																			
Materials	PA; piercing contacts: CuSn6 nickel-plated and tin-plated																																			
Displays / operating elements																																				
Display	operation	LED, green Voltage AUX > 7 V																																		
	errors	LED, red AUX 15 V ± 2 V																																		
	function	LED, yellow																																		
Electrical connection																																				
AS-i bus connection	Flachkabel																																			
Accessories																																				
Items supplied	lower part																																			
Accessories (optional)	Protective cap: M12, E73004																																			
Remarks																																				
Pack quantity	1 pcs.																																			



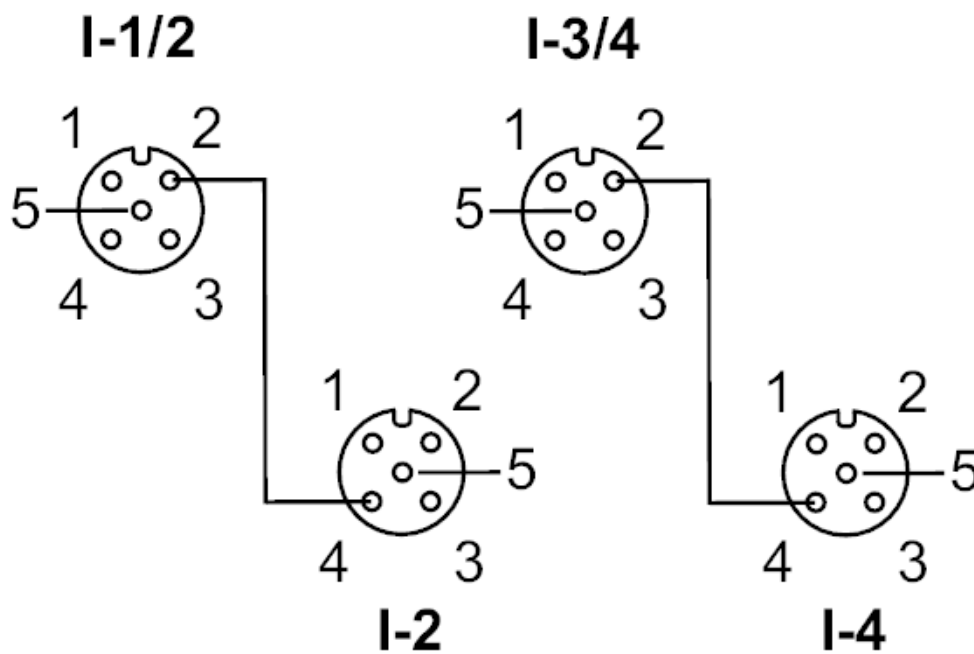
AS-Interface ClassicLine module with quick mounting technology

ClassicLine 4DI-Y AUX IP67

Electrical connection

quick mounting technology for AS-i flat cable: ; three orientations possible

Connection



Connector: M12

AC5290



AS-Interface ClassicLine module with quick mounting technology

ClassicLine 4DI-Y AUX IP67

	Inputs
	socket I-1/2
1	Sensor supply L+
2	data input 2
3	Sensor supply L-
4	data input 1
5	not used
	socket I-2
1	Sensor supply L+
2	not used
3	Sensor supply L-
4	data input 2
5	not used
	socket I-3/4
1	voltage supply L+
2	data input 4
3	Sensor supply L-
4	data input 3
5	not used
	socket I-4
1	Sensor supply L+
2	not used
3	Sensor supply L-
4	data input 4
5	not used