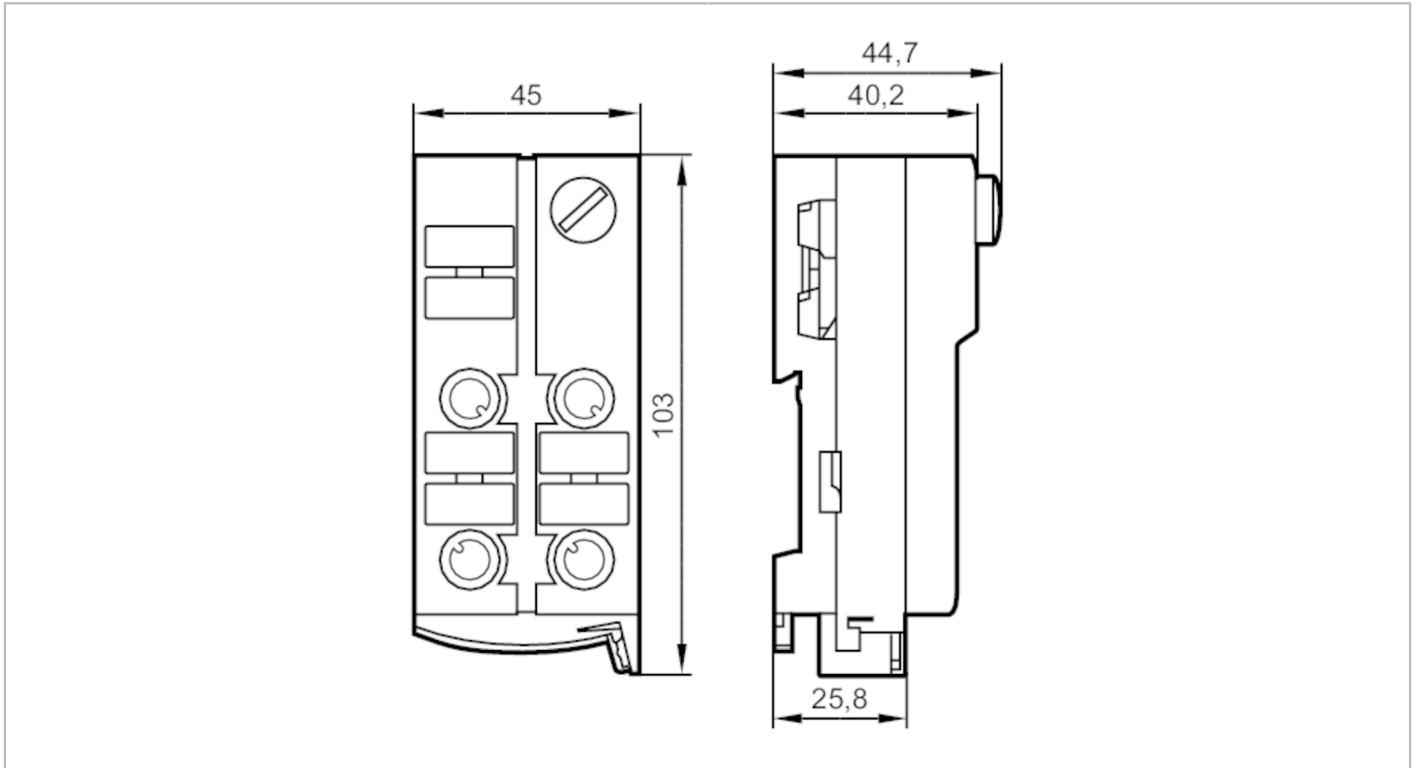




AS-Interface ClassicLine module with quick mounting technology

ClassicLine 4DI-Y IP67



Application

Application	field installation
-------------	--------------------

Electrical data

Operating voltage	[V]	26.5...31.6 DC
Max. current consumption from AS-i	[mA]	250
Max. current load total	[A]	4; (max. current rating of the piercing points)

Inputs / outputs

Number of inputs and outputs	Number of digital inputs: 4
------------------------------	-----------------------------

Inputs

Number of digital inputs	4	
Input circuit of digital inputs	PNP	
Sensor supply of the inputs	AS-i	
Voltage supply	[V]	18...30; (via flat cable)
Max. total current rating of inputs	[mA]	200
Input current High	[mA]	6...10
Input current Low	[mA]	0...2
Min. switching level high signal	[V]	11
Digital inputs protected against short circuits		yes



AS-Interface ClassicLine module with quick mounting technology

ClassicLine 4DI-Y IP67

Operating conditions					
Ambient temperature	[°C]	-25...70			
Protection		IP 67			
Tests / approvals					
EMC		EN 50295			
		IEC 61000-6-2			
MTTF	[years]	405			
AS-i classification					
AS-i version		2.11; 3.0			
AS-i addressing		addressing socket			
Extended addressing mode		yes			
AS-i profile		S-0.A.E			
AS-i I/O configuration	[hex]	0			
AS-i ID code	[hex]	A.E			
AS-i certificate pending		yes			
Assignment of the data bits	data bit	D0	D1	D2	D3
	input	1	2	3	4
	socket	I-1/2	I-1/2 I-2	I-3/4	I-3/4 I-4
	pin	4	2 4	4	2 4
Mechanical data					
Weight	[g]	180.5			
Type of mounting		AS-i flat cables directly connectable			
Materials		PA; piercing contacts: CuSn6 nickel-plated and tin-plated			
Displays / operating elements					
Display	operation	LED, green			
	errors	LED, red			
	function	LED, yellow			
Electrical connection					
AS-i bus connection		Flachkabel			
Accessories					
Items supplied		lower part			
		flat cable blank			
Accessories (optional)		Protective cap: M12, E73004			
Remarks					
Remarks		operating voltage "supply class 2" according to cULus			
		The module allows the distribution of the AS-i voltage.			
		Flat cable blank to cover the unused cable entry.			
		Do not connect any of the following points to an external potential:			
		I-, I+, I-1/2, I-2, I-3/4, I-4			
		The connections are electrically connected with the AS-i cable.			
Pack quantity		1 pcs.			



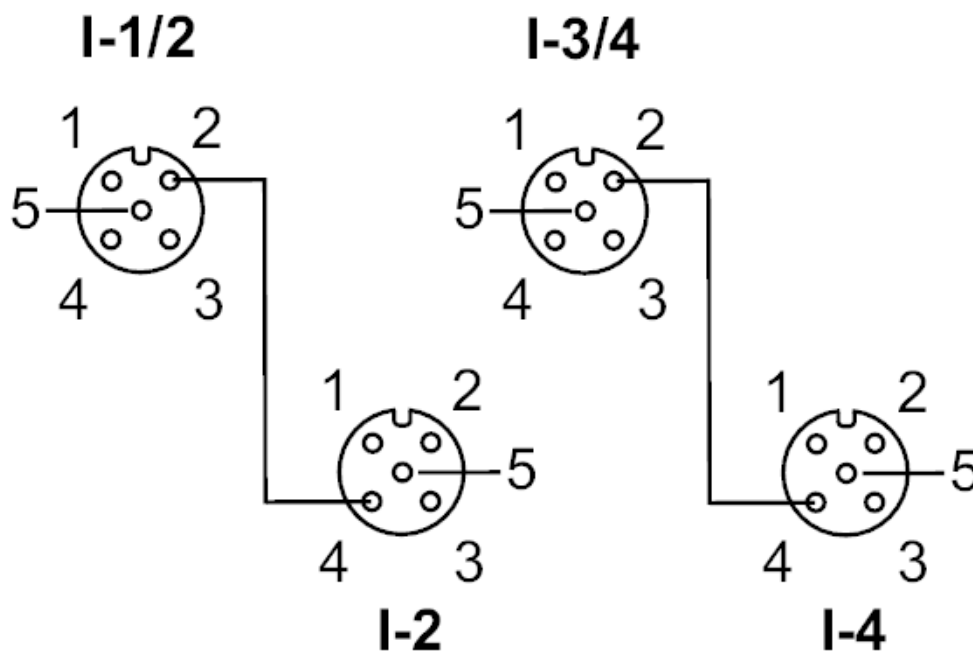
AS-Interface ClassicLine module with quick mounting technology

ClassicLine 4DI-Y IP67

Electrical connection

quick mounting technology for AS-i flat cable: ; three orientations possible

Connection



Connector: M12



AS-Interface ClassicLine module with quick mounting technology

ClassicLine 4DI-Y IP67

	Inputs
	socket I-1/2
1	Sensor supply L+
2	data input 2
3	Sensor supply L-
4	data input 1
5	not used
	socket I-2
1	Sensor supply L+
2	not used
3	Sensor supply L-
4	data input 2
5	not used
	socket I-3/4
1	voltage supply L+
2	data input 4
3	Sensor supply L-
4	data input 3
5	not used
	socket I-4
1	Sensor supply L+
2	not used
3	Sensor supply L-
4	data input 4
5	not used