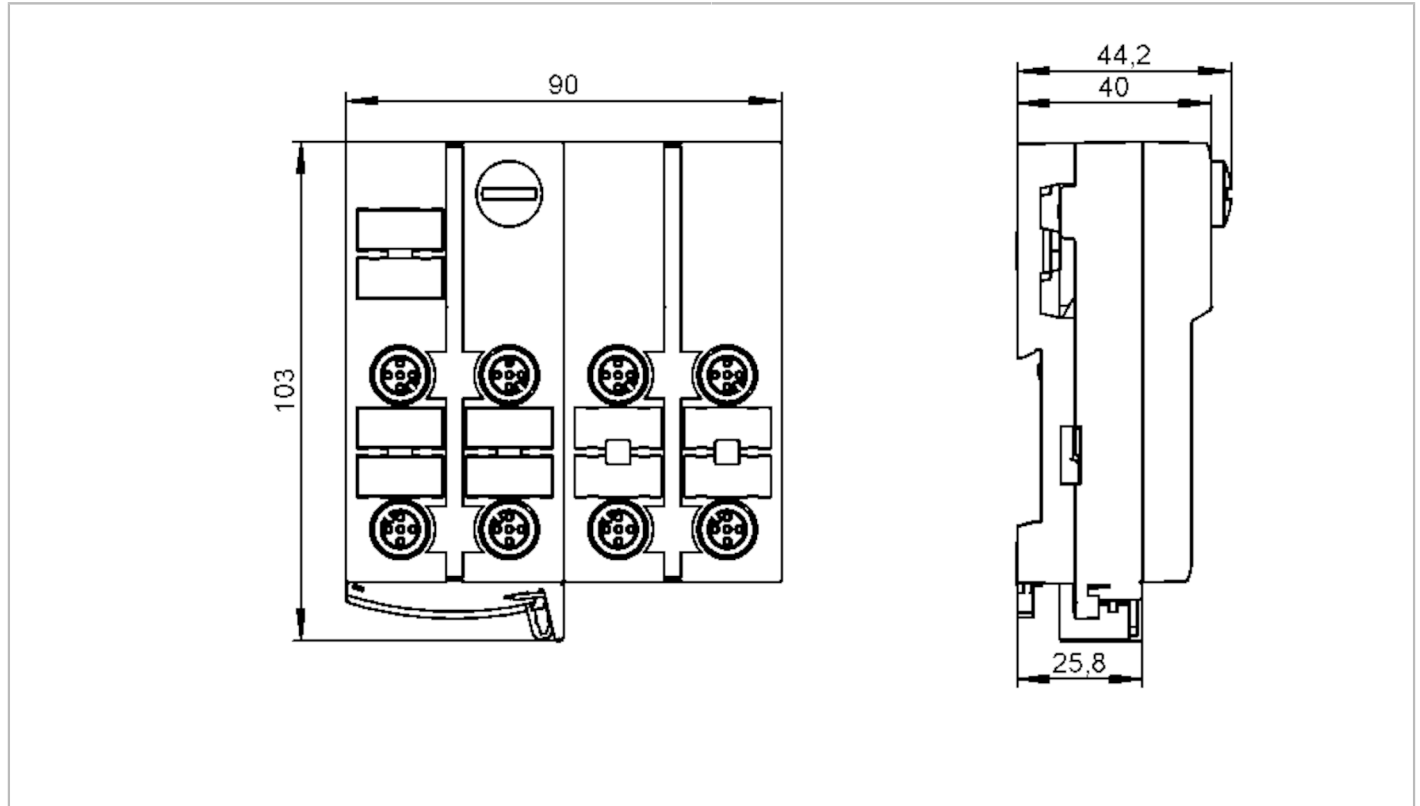


# AC535A



## AS-Interface ClassicLine module with quick mounting technology

ClassicL 4DI-Y 4DO-Y II 3D



Application	
Design	Only for operation with AS-i masters with the profile M4
Application	AS-i ATEX module
Electrical data	
Operating voltage [V]	26.5...31.6 DC
Max. current consumption from AS-i [mA]	250
Max. current load total [A]	2
Integrated watchdog	yes
Inputs / outputs	
Number of inputs and outputs	Number of digital inputs: 4; Number of digital outputs: 4



## AS-Interface ClassicLine module with quick mounting technology

ClassicL 4DI-Y 4DO-Y II 3D

Inputs	
Number of digital inputs	4
Input circuit of digital inputs	PNP
Sensor supply of the inputs	AS-i
Voltage supply [V]	18...30; (via flat cable)
Max. total current rating of inputs [mA]	200
Input current High [mA]	6...10
Input current low [mA]	0...2
Min. switching level high signal [V]	11
Digital inputs protected against short circuits	yes

Outputs	
Number of digital outputs	4
Circuit	PNP
Voltage range DC [V]	15...30; (to PELV; via flat cable)
Max. current load per output [mA]	1000; (utilization category DC-13 (control of electromagnets): 20 W (IEC 60947-5-1))
Short-circuit proof	yes
Electrically separated	yes

Operating conditions	
Ambient temperature [°C]	-10...50
Protection	IP 50

Tests / approvals	
ATEX marking	Ex II 3D Ex tc IIIB T80°C Dc X IP50
EMC	EN 50295
	IEC 61000-6-2
MTTF [years]	155

AS-i classification					
AS-i version	3.0				
AS-i addressing	Addressing socket				
Extended addressing mode	yes				
AS-i profile	S-7.A.7				
AS-i I/O configuration [hex]	7				
AS-i ID code [hex]	A.7				
AS-i certificate pending	yes				
Data bits	Data bit	D0	D1	D2	D3
	Input	1	2	3	4
	Socket	I-1/2	I-1/2 I-2	I-3/4	I-3/4 I-4
	Pin	4	2 4	4	2 4
	Output	1	2	3	4
	Socket	O-1/2	O-1/2 O2	O-3/4	O-3/4 O-4
	Pin	4	2 4	4	2 4

# AC535A



## AS-Interface ClassicLine module with quick mounting technology

ClassicL 4DI-Y 4DO-Y II 3D

Mechanical data		
Weight [g]	322	
Type of mounting	AS-i flat cable connection	
Material	PA; Piercing contacts: CuSn6 nickel-plated and tin-plated	
Displays / operating elements		
Display	Power	LED, green
	errors	LED, red
	Function	LED, yellow
Electrical connection		
AS-i bus connection	Flachkabel	
Accessories		
Items supplied	lower part	
Accessories (optional)	Protective cap: M12, E73004 impact protection housing:, E7000A	
Remarks		
Remarks	Mechanical protection has to be implemented.	
	Otherwise the unit must be installed together with the impact protection housing (E7000A).	
	Do not connect any of the following points to an external potential: I-, I+, I1, I2, I3, I4	
	The connections are electrically connected with the AS-i cable. Inputs and outputs must be electrically isolated.	
Pack quantity	1 pcs.	

# AC535A



## AS-Interface ClassicLine module with quick mounting technology

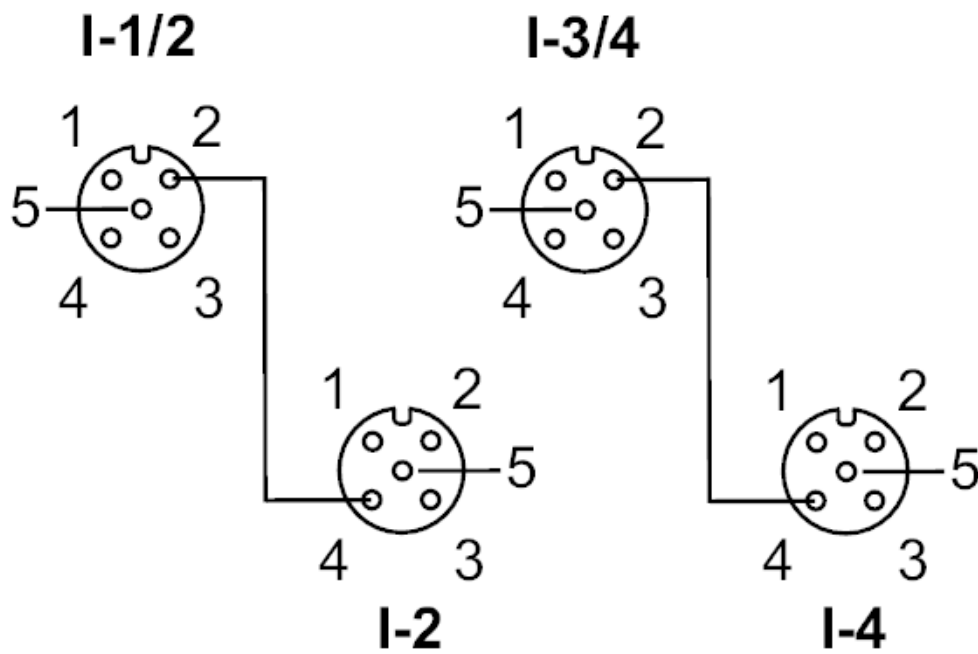
ClassicL 4DI-Y 4DO-Y II 3D

### Electrical connection

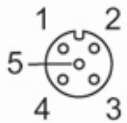
quick mounting technology for AS-i flat cable: ; three selectable directions

### Electrical connection - Inputs

#### Connection



Connector: M12



# AC535A



## AS-Interface ClassicLine module with quick mounting technology

ClassicL 4DI-Y 4DO-Y II 3D

	Inputs
	Socket I-1/2
1	Sensor supply L+
2	Data input 2
3	Sensor supply L-
4	Data input 1
5	not used
	Socket I-2
1	Sensor supply L+
2	not used
3	Sensor supply L-
4	Data input 2
5	not used
	Socket I-3/4
1	voltage supply L+
2	Data input 4
3	Sensor supply L-
4	Data input 3
5	not used
	Socket I-4
1	Sensor supply L+
2	not used
3	Sensor supply L-
4	Data input 4
5	not used

# AC535A

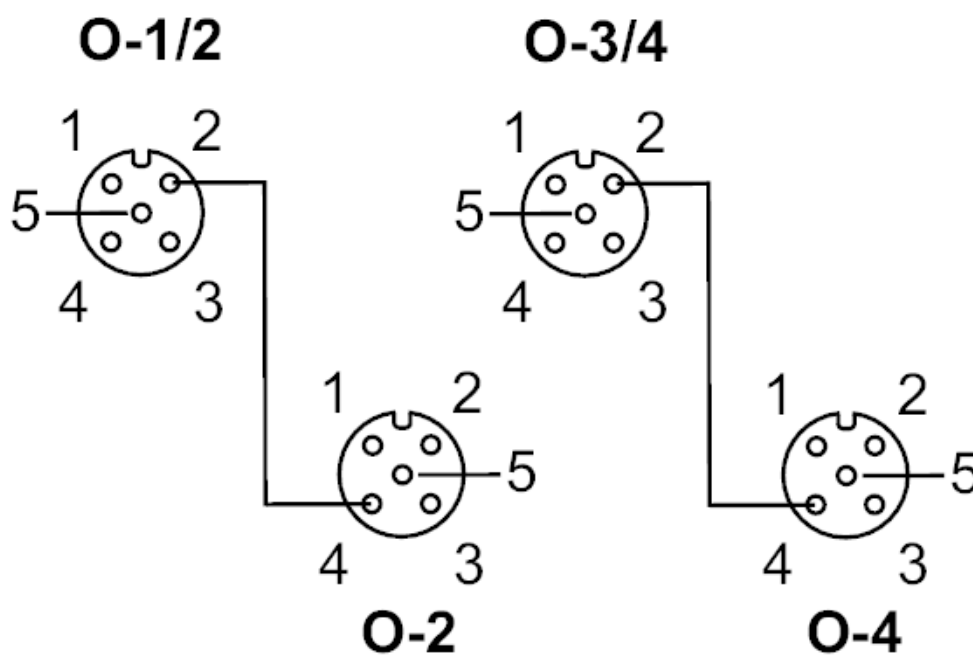


AS-Interface ClassicLine module with quick mounting technology

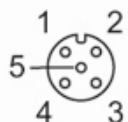
ClassicL 4DI-Y 4DO-Y II 3D

## Electrical connection - Outputs

### Connection



Connector: M12

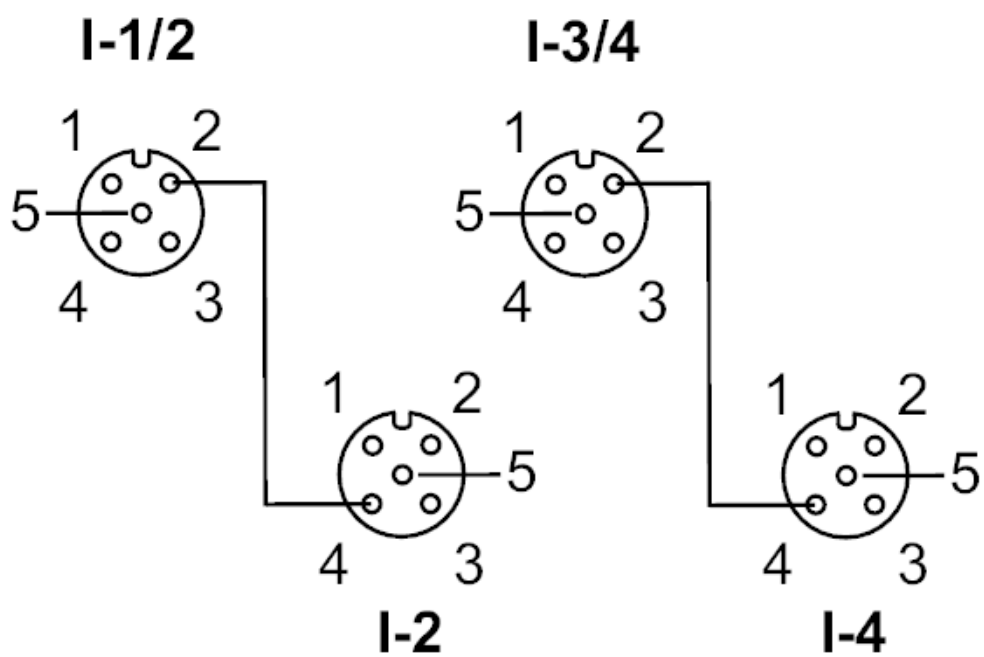


# AC535A



AS-Interface ClassicLine module with quick mounting technology

ClassicL 4DI-Y 4DO-Y II 3D



# AC535A



## AS-Interface ClassicLine module with quick mounting technology

ClassicL 4DI-Y 4DO-Y II 3D

	Outputs
	Socket O-1/2
1	not used
2	Switching output 2
3	External voltage AUX -
4	Switching output 1
5	not used
	Socket O-2
1	not used
2	not used
3	External voltage AUX -
4	Switching output 2
5	not used
	Socket O-3/4
1	not used
2	Switching output 4
3	External voltage AUX -
4	Switching output 3
5	not used
	Socket O-4
1	not used
2	not used
3	External voltage AUX -
4	Switching output 4
5	not used