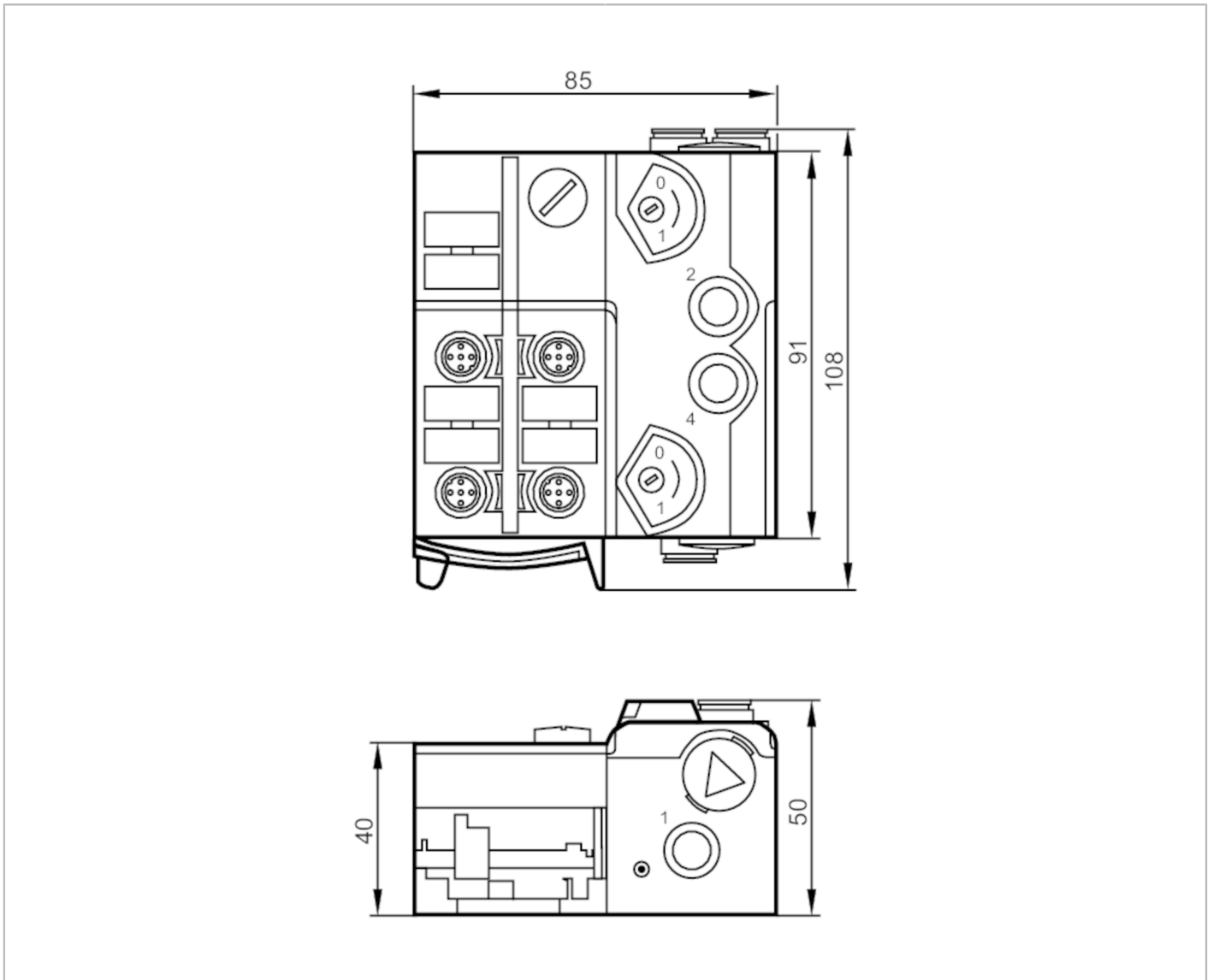


AC551A



AS-Interface Airbox with quick mounting technology

AirBox 5/2 bist. 4DI-Y II 3D



Application

Application AS-i ATEX module

Electrical data

Operating voltage [V] 26.5...31.6 DC

Max. current consumption from AS-i [mA] 280

Integrated watchdog yes

Inputs / outputs

Number of inputs and outputs Number of digital inputs: 4; Number of pneumatic outputs: 2

AC551A



AS-Interface Airbox with quick mounting technology

AirBox 5/2 bist. 4DI-Y II 3D

Inputs																										
Number of digital inputs	4																									
Input circuit of digital inputs	PNP																									
Sensor supply of the inputs	AS-i																									
Voltage supply [V]	20...30; (via flat cable)																									
Max. total current rating of inputs [mA]	200																									
Input current High [mA]	6...10																									
Input current low [mA]	0...2																									
Min. switching level high signal [V]	11																									
Digital inputs protected against short circuits	yes																									
Outputs																										
Electrical design	AS-i																									
Number of pneumatic outputs	2																									
Operating conditions																										
Ambient temperature [°C]	-10...50																									
Protection	IP 50																									
Tests / approvals																										
ATEX marking	Ⓔ II 3D Ex tc IIIB T80°C Dc X IP50																									
EMC	EN 50295 IEC 61000-6-2																									
MTTF [years]	258																									
AS-i classification																										
AS-i version	2.11; 3.0																									
AS-i addressing	Addressing socket																									
Extended addressing mode	yes																									
AS-i profile	S-7.A.E																									
AS-i I/O configuration [hex]	7																									
AS-i ID code [hex]	A.E																									
AS-i certificate pending	yes																									
Data bits	<table border="1"> <thead> <tr> <th>Data bit</th> <th>D0</th> <th>D1</th> <th>D2</th> <th>D3</th> </tr> </thead> <tbody> <tr> <td>Input</td> <td>1</td> <td>2</td> <td>3</td> <td>4</td> </tr> <tr> <td>Socket</td> <td>I-1/2</td> <td>I-1/2 I-2</td> <td>I-3/4</td> <td>I-3/4 I-4</td> </tr> <tr> <td>Pin</td> <td>4</td> <td>2 4</td> <td>4</td> <td>2 4</td> </tr> <tr> <td>pneumatic output</td> <td>2</td> <td>4</td> <td>-</td> <td>-</td> </tr> </tbody> </table>	Data bit	D0	D1	D2	D3	Input	1	2	3	4	Socket	I-1/2	I-1/2 I-2	I-3/4	I-3/4 I-4	Pin	4	2 4	4	2 4	pneumatic output	2	4	-	-
	Data bit	D0	D1	D2	D3																					
	Input	1	2	3	4																					
	Socket	I-1/2	I-1/2 I-2	I-3/4	I-3/4 I-4																					
	Pin	4	2 4	4	2 4																					
pneumatic output	2	4	-	-																						

AC551A



AS-Interface Airbox with quick mounting technology

AirBox 5/2 bist. 4DI-Y II 3D

Mechanical data	
Weight [g]	413.5
Type of mounting	quick mounting
Material	PA; POM; Piercing contacts: CuSn6 nickel-plated and tin-plated
Pneumatic system	1 x 5/2-way slide valve (free from overlapping); bistable
Operating pressure range [bar]	3...8
Operating pressure range [MPa]	0.3...0.8
Air flow at 6/5 bar [l/min]	500
Permissible compressed air	non-lubricated compressed air class 6-3-1; lubricated compressed air class 6-3-4
Manual override	pressing/releasing or pressing/turning/locking
Tube fittings	8 mm
Exhaust	exhaust can be discharged through tube connection

Displays / operating elements		
Display	Power	LED, green
	errors	LED, red
	Function	LED, yellow

Electrical connection	
AS-i bus connection	Flachkabel

Accessories	
Items supplied	lower part
Accessories (optional)	Mounting plate:, E74999
	Module lower part:, E75000
	Protective cap: M12, E73004
	sealing plug:, E75231
	impact protection housing:, E7000A
	Silencer:, E75232
	Push-in L-fitting:, E75228
Push-in T-fitting:, E75227	

Remarks	
Remarks	Mechanical protection has to be implemented.
	Otherwise the unit must be installed together with the impact protection housing (E7000A).
	If not pneumatically operated, E75231 sealing plug must be inserted.
	Avoid ingress of dirt and dust.
	Do not connect any of the following points to an external potential:
	L-, L+, I-1, I-2, I-3, I-4
Pack quantity	The connections are electrically connected with the AS-i cable.
	Please see the notes on compressed air and EMC/ESD under "Downloads"
Pack quantity	1 pcs.

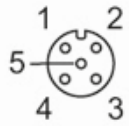
Electrical connection	
quick mounting technology for AS-i flat cable: ; three selectable directions	
Connector: 4 x M12	

AC551A

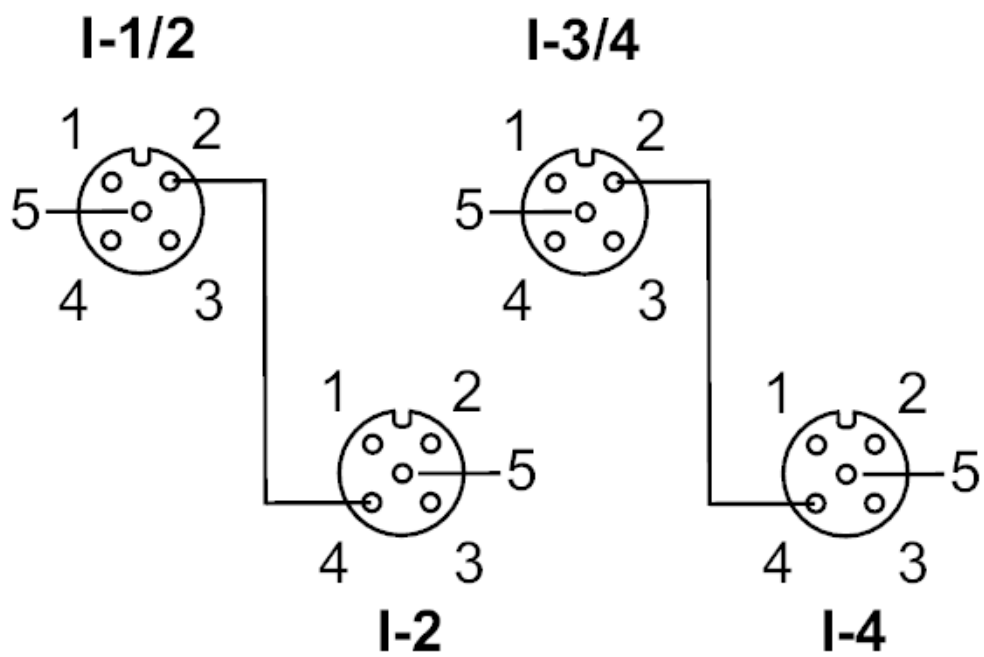


AS-Interface Airbox with quick mounting technology

AirBox 5/2 bist. 4DI-Y II 3D



Connection





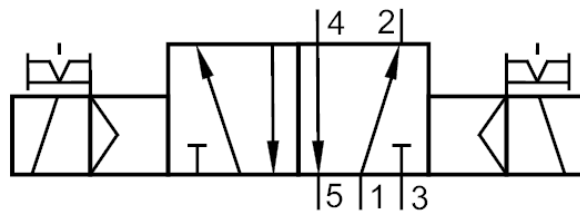
AS-Interface Airbox with quick mounting technology

AirBox 5/2 bist. 4DI-Y II 3D

	Inputs
	Socket I-1/2
1	Sensor supply L+
2	Data input 2
3	Sensor supply L-
4	Data input 1
5	not used
	Socket I-2
1	Sensor supply L+
2	not used
3	Sensor supply L-
4	Data input 2
5	not used
	Socket I-3/4
1	voltage supply L+
2	Data input 4
3	Sensor supply L-
4	Data input 3
5	not used
	Socket I-4
1	Sensor supply L+
2	not used
3	Sensor supply L-
4	Data input 4
5	not used

Diagrams and graphs

Pneumatic symbol



1 x 5/2-way slide valve (free from overlapping); bistable