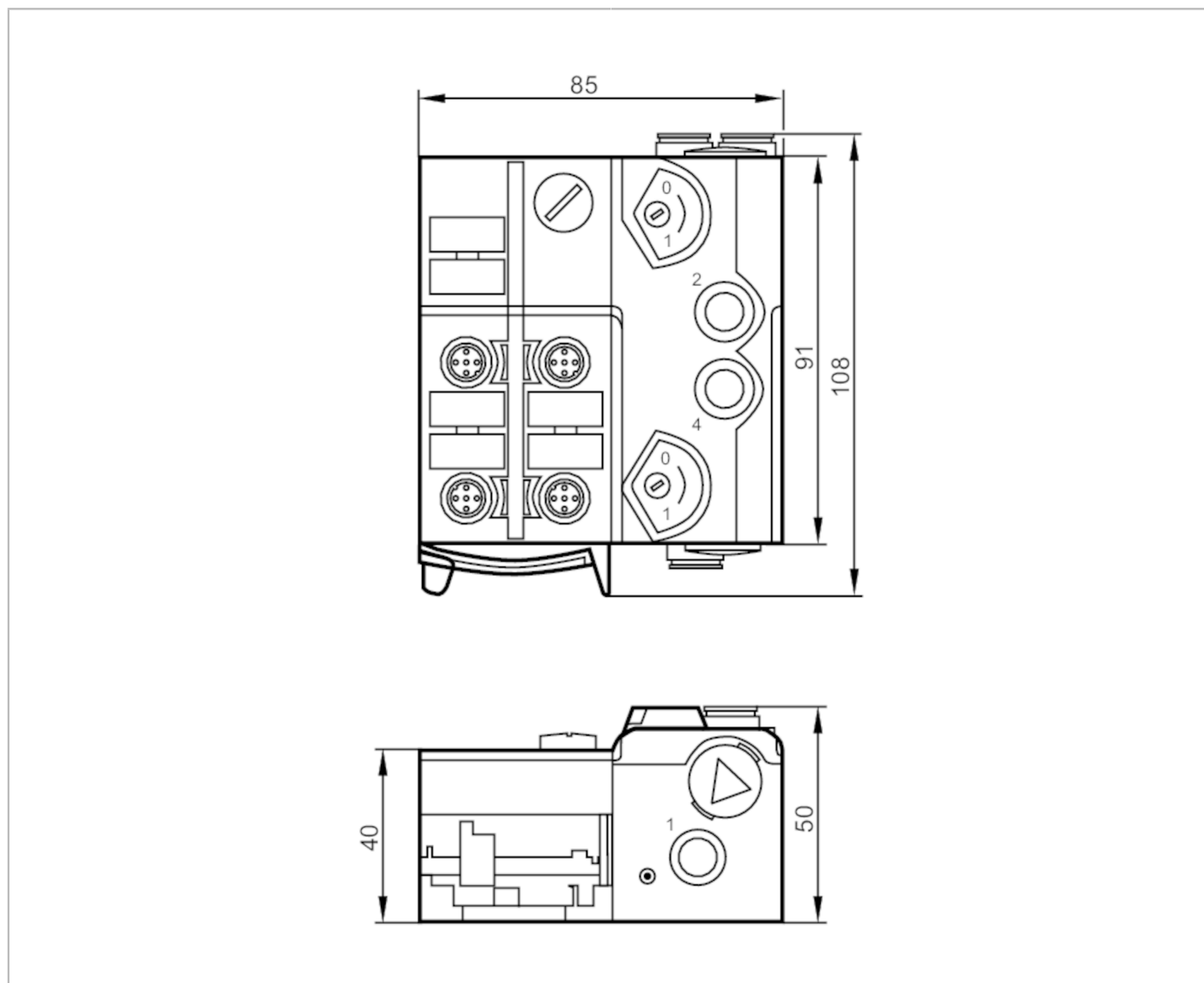


AC570A



AS-Interface Airbox with quick mounting technology

AirBox 5/3 closed 4DI-Y II 3D



Application	
Application	AS-i ATEX module
Electrical data	
Operating voltage [V]	26.5...31.6 DC
Max. current consumption from AS-i [mA]	280
Integrated watchdog	yes
Inputs / outputs	
Number of inputs and outputs	Number of digital inputs: 4; Number of pneumatic outputs: 2

AC570A



AS-Interface Airbox with quick mounting technology

AirBox 5/3 closed 4DI-Y II 3D

Inputs																										
Number of digital inputs	4																									
Input circuit of digital inputs	PNP																									
Sensor supply of the inputs	AS-i																									
Voltage supply [V]	20...30; (via flat cable)																									
Max. total current rating of inputs [mA]	200																									
Input current High [mA]	6...10																									
Input current low [mA]	0...2																									
Min. switching level high signal [V]	11																									
Digital inputs protected against short circuits	yes																									
Outputs																										
Electrical design	AS-i																									
Number of pneumatic outputs	2																									
Operating conditions																										
Ambient temperature [°C]	-10...50																									
Protection	IP 50																									
Tests / approvals																										
ATEX marking	Ⓔ II 3D Ex tc IIIB T80°C Dc X IP50																									
EMC	EN 50295																									
	IEC 61000-6-2																									
MTTF [years]	258																									
AS-i classification																										
AS-i version	2.11; 3.0																									
AS-i addressing	Addressing socket																									
Extended addressing mode	yes																									
AS-i profile	S-7.A.E																									
AS-i I/O configuration [hex]	7																									
AS-i ID code [hex]	A.E																									
AS-i certificate pending	yes																									
Data bits	<table border="1"> <thead> <tr> <th>Data bit</th> <th>D0</th> <th>D1</th> <th>D2</th> <th>D3</th> </tr> </thead> <tbody> <tr> <td>Input</td> <td>1</td> <td>2</td> <td>3</td> <td>4</td> </tr> <tr> <td>Socket</td> <td>I-1/2</td> <td>I-1/2 I-2</td> <td>I-3/4</td> <td>I-3/4 I-4</td> </tr> <tr> <td>Pin</td> <td>4</td> <td>2 4</td> <td>4</td> <td>2 4</td> </tr> <tr> <td>pneumatic output</td> <td>2</td> <td>4</td> <td>-</td> <td>-</td> </tr> </tbody> </table>	Data bit	D0	D1	D2	D3	Input	1	2	3	4	Socket	I-1/2	I-1/2 I-2	I-3/4	I-3/4 I-4	Pin	4	2 4	4	2 4	pneumatic output	2	4	-	-
	Data bit	D0	D1	D2	D3																					
	Input	1	2	3	4																					
	Socket	I-1/2	I-1/2 I-2	I-3/4	I-3/4 I-4																					
	Pin	4	2 4	4	2 4																					
pneumatic output	2	4	-	-																						

AC570A



AS-Interface Airbox with quick mounting technology

AirBox 5/3 closed 4DI-Y II 3D

Mechanical data		
Weight [g]	421	
Type of mounting	quick mounting	
Material	PA; POM; Piercing contacts: CuSn6 nickel-plated and tin-plated	
Pneumatic system	1 x 5/3-way slide valve (free from overlapping); middle position blocked	
Operating pressure range [bar]	3...8	
Operating pressure range [MPa]	0.3...0.8	
Air flow at 6/5 bar [l/min]	400	
Permissible compressed air	non-lubricated compressed air class 6-3-1; lubricated compressed air class 6-3-4	
Manual override	pressing/releasing or pressing/turning/locking	
Tube fittings	8 mm	
Exhaust	exhaust can be discharged through tube connection	
Displays / operating elements		
Display	Power	LED, green
	errors	LED, red
	Function	LED, yellow
Electrical connection		
AS-i bus connection	Flachkabel	
Accessories		
Items supplied	lower part	
Accessories (optional)	Mounting plate:, E74999	
	Module lower part:, E75000	
	Protective cap: M12, E73004	
	sealing plug:, E75231	
	impact protection housing:, E7000A	
	Silencer:, E75232	
	Push-in L-fitting:, E75228	
Push-in T-fitting:, E75227		
Remarks		
Remarks	Mechanical protection has to be implemented.	
	Otherwise the unit must be installed together with the impact protection housing (E7000A).	
	If not pneumatically operated, E75231 sealing plug must be inserted.	
	Avoid ingress of dirt and dust.	
	Do not connect any of the following points to an external potential:	
	L-, L+, I-1, I-2, I-3, I-4	
The connections are electrically connected with the AS-i cable.		
Please see the notes on compressed air and EMC/ESD under "Downloads"		
Pack quantity	1 pcs.	

AC570A



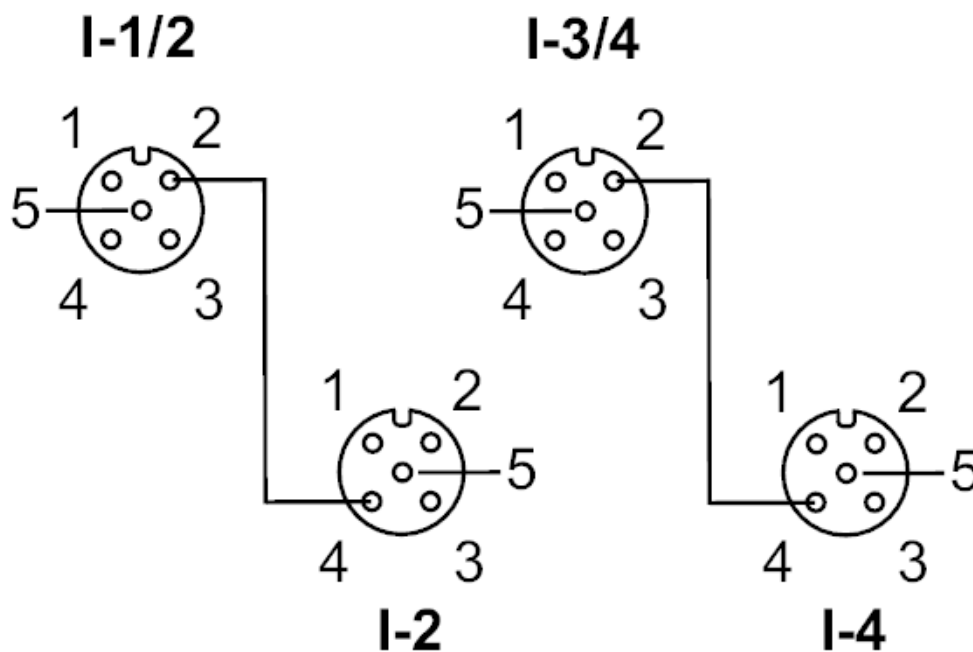
AS-Interface Airbox with quick mounting technology

AirBox 5/3 closed 4DI-Y II 3D

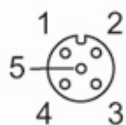
Electrical connection

quick mounting technology for AS-i flat cable: ; three selectable directions

Connection



Connector: M12



Connection

AC570A



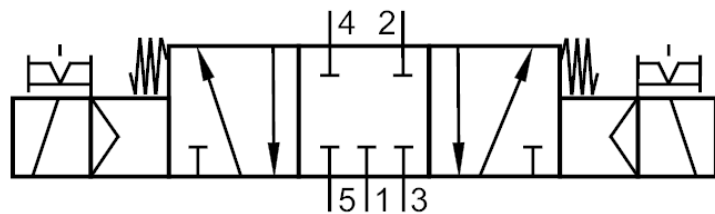
AS-Interface Airbox with quick mounting technology

AirBox 5/3 closed 4DI-Y II 3D

	Inputs
	Socket I-1/2
1	Sensor supply L+
2	Data input 2
3	Sensor supply L-
4	Data input 1
5	not used
	Socket I-2
1	Sensor supply L+
2	not used
3	Sensor supply L-
4	Data input 2
5	not used
	Socket I-3/4
1	voltage supply L+
2	Data input 4
3	Sensor supply L-
4	Data input 3
5	not used
	Socket I-4
1	Sensor supply L+
2	not used
3	Sensor supply L-
4	Data input 4
5	not used

Diagrams and graphs

Pneumatic symbol



1 x 5/3-way slide valve (free from overlapping); middle position blocked