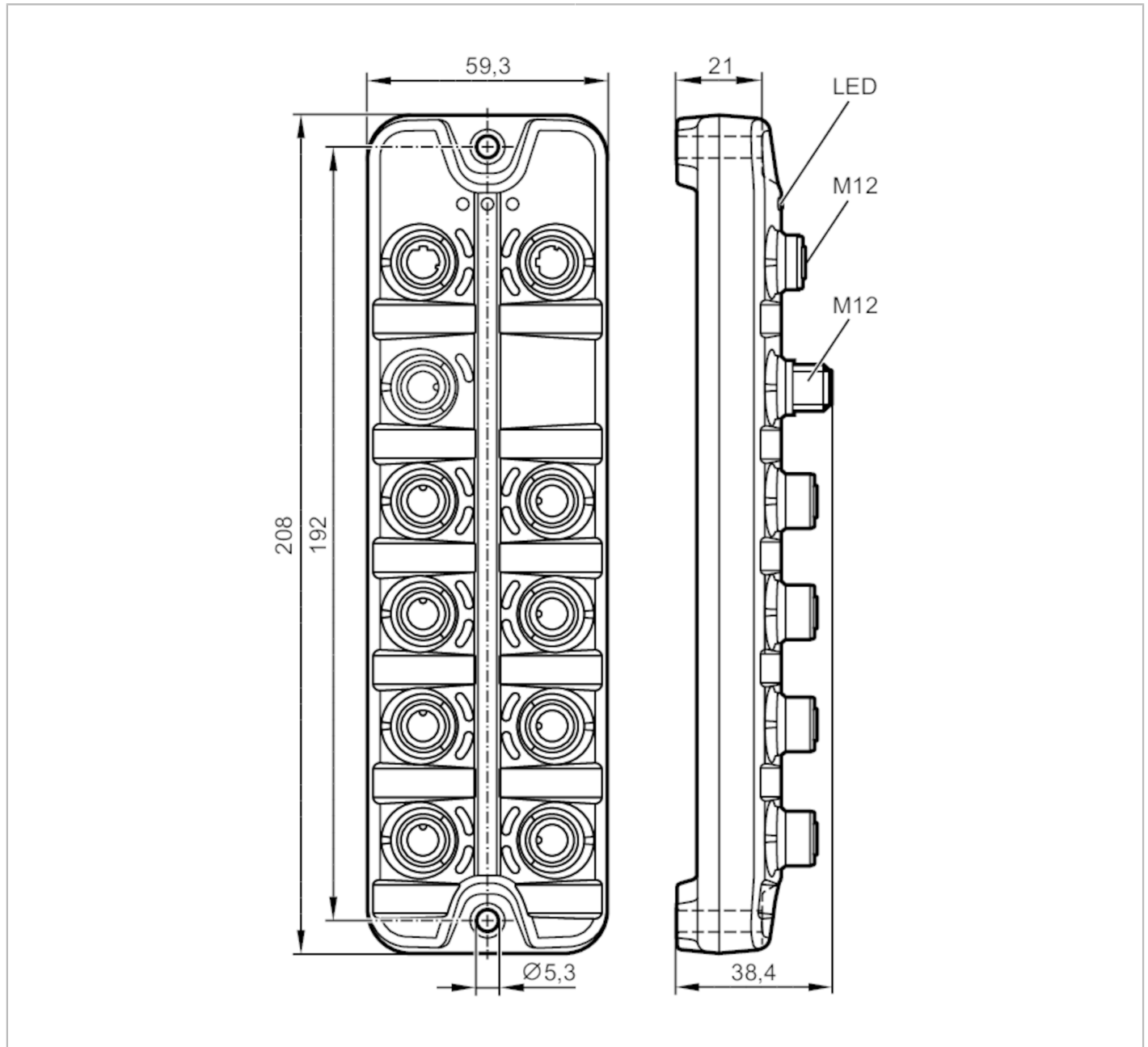


# AL1102



## IO-Link master with PROFINET interface

IO-Link Master SL PN 8P IP67



Application	
Application	I/O modules for field applications
Daisy-chain function	fieldbus interface
Electrical data	
Operating voltage [V]	20...30 DC; (US; to SELV/PELV)
Current consumption [mA]	300...3900; (US)
Protection class	III
Sensor supply US	
Max. current load total [A]	3.6



## IO-Link master with PROFINET interface

IO-Link Master SL PN 8P IP67

Inputs / outputs		
Total number of inputs and outputs	16; (configurable)	
Number of inputs and outputs	Number of digital inputs: 16; Number of digital outputs: 8	
Inputs		
Number of digital inputs	16; (IO-Link Port Class A: 8 x 2)	
Switching level high [V]	11...30	
Switching level low [V]	0...5	
Digital inputs protected against short circuits	yes	
Outputs		
Number of digital outputs	8; (IO-Link Port Class A: 8 x 1)	
Max. current load per output [mA]	300	
Short-circuit proof	yes	
Interfaces		
Communication interface	Ethernet; IO-Link	
Ethernet		
Transmission standard	10Base-T; 100Base-TX	
Transmission rate	10; 100	
Protocol	PROFINET	
Factory settings	IP address: 0.0.0.0	
	subnet mask: 0.0.0.0	
	gateway IP address: 0.0.0.0	
	MAC address: see type label	
Note on interfaces	CC-C (Conformance Class C)	
	Netload Class III	
	IRT capability	
	SNMP (Simple Network Management Protocol)	
	MRP (Media Redundancy Protocol)	
IO-Link Master	Supported network topologies: line	
	ring	
	Transmission type	COM1 (4,8 kBaud); COM2 (38,4 kBaud); COM3 (230,4 kBaud)
	IO-Link revision	1.1
Number of ports class A	8	
Operating conditions		
Ambient temperature [°C]	-25...60	
Storage temperature [°C]	-25...85	
Max. relative air humidity [%]	90	
Protection	IP 65; IP 66; IP 67	
Degree of soiling	2	

# AL1102



## IO-Link master with PROFINET interface

IO-Link Master SL PN 8P IP67

Tests / approvals	
EMC	EN 61000-6-2 EN 61000-6-4
Shock resistance	DIN EN 60068-2-27
Vibration resistance	DIN EN 60068-2-64 2009-04 DIN EN 60068-2-6 2008-10
MTTF [years]	78

Mechanical data	
Weight [g]	396
Materials	housing: PA; socket: brass nickel-plated
Sealing material	FKM / FKM

Remarks	
Remarks	For further information please see the operating instructions.
Pack quantity	1 pcs.

### Electrical connection - Ethernet

Connector: M12; Sealing: FKM

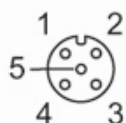


### IN / OUT X21, X22

1	TX +
2	RX +
3	TX -
4	RX -
5	not used

### Electrical connection - Process connection

Connector: M12; Sealing: FKM





## IO-Link master with PROFINET interface

IO-Link Master SL PN 8P IP67

### IO-Link Port Class A X01...X08

1	Sensor supply (US) L+
2	digital input
3	Sensor supply (US) L-
4	C/Q IO-Link
5	not used

### Electrical connection - voltage supply

Connector: M12



### X31

1	+ 24 V DC (US)
2	not used
3	GND (US)
4	not used