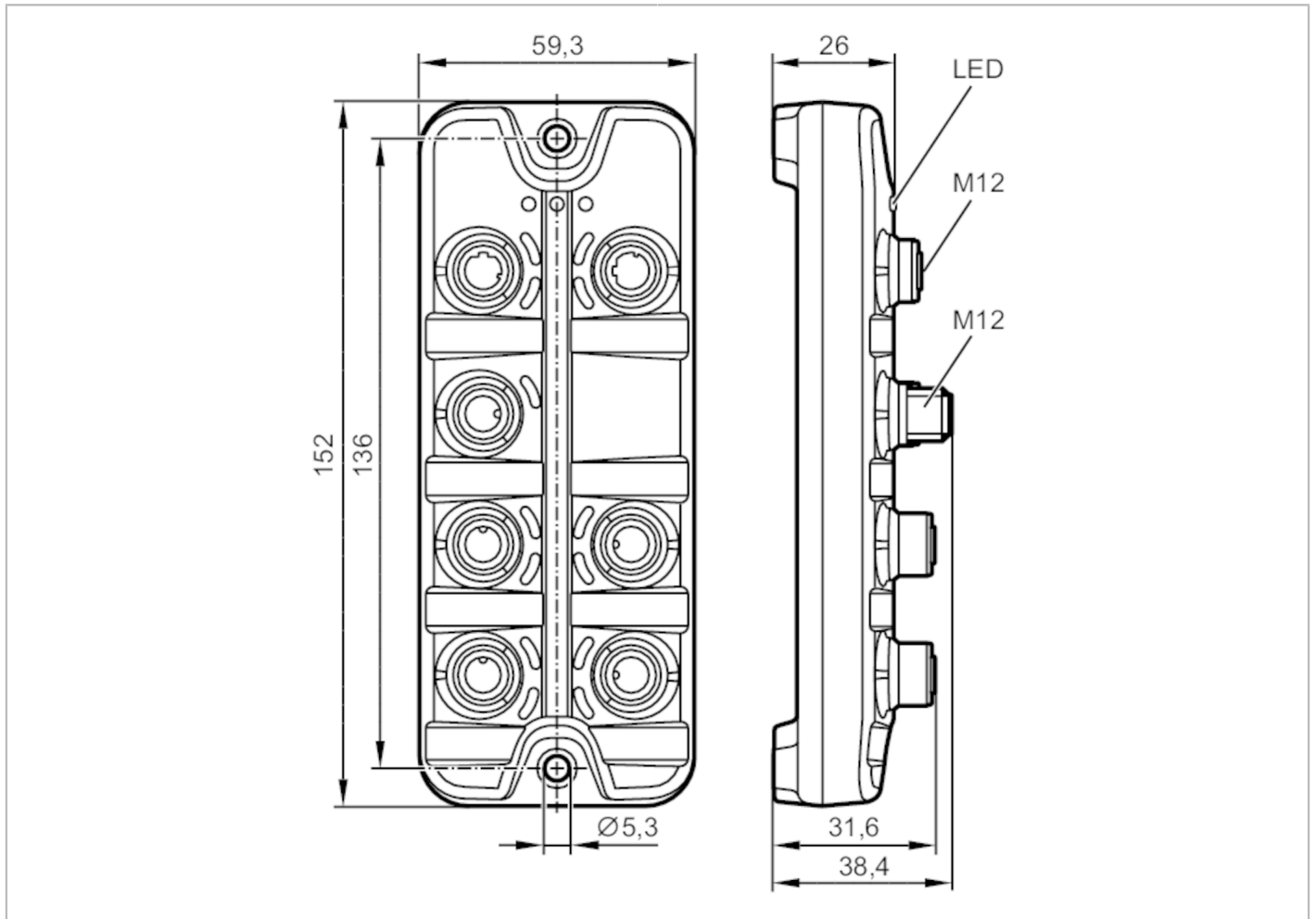


# AL1351



## IO-Link master with IoT interface

IO-Link Master DL IoT 4P IP69K



| Application                        |   |
|------------------------------------|---|
| Application                        | hygienic systems; I/O modules for field applications      |
| Daisy-chain function               | fieldbus interface  |
| Electrical data                    |   |
| Operating voltage [V]              | 20...28 DC; (US; to SELV/PELV)                            |
| Current consumption [mA]           | 300...3900; (US)  |
| Protection class                   | III   |
| Sensor supply US                   |   |
| Max. current load total [A]        | 3.6   |
| Inputs / outputs                   |   |
| Total number of inputs and outputs | 8; (configurable)   |
| Number of inputs and outputs       | Number of digital inputs: 8; Number of digital outputs: 4 |



## IO-Link master with IoT interface

IO-Link Master DL IoT 4P IP69K

| Inputs  |   |
|---|---|
| Number of digital inputs                        | 8; (IO-Link Port Class A: 4 x 2)  |
| Switching level high [V]                        | 11...30   |
| Switching level low [V]                         | 0...5   |
| Digital inputs protected against short circuits | yes   |
| Outputs   |   |
| Number of digital outputs                       | 4; (IO-Link Port Class A: 4 x 1)  |
| Max. current load per output [mA]               | 300   |
| Short-circuit proof                             | yes   |
| Interfaces                                      |   |
| Communication interface                         | Ethernet; IO-Link   |
| Ethernet - Internet of Things                   |   |
| Transmission standard                           | 10Base-T; 100Base-TX  |
| Transmission rate                               | 10; 100   |
| Protocol  | MQTT JSON   |
| Factory settings                                | IP address: 169.254.x.x   |
|   | subnet mask: 255.255.0.0  |
|   | gateway IP address: 0.0.0.0   |
|   | MAC address: see type label   |
| Note on interfaces                              | Secure protocol: HTTPS  |
| IO-Link Master                                  |   |
| Transmission type                               | COM1 (4,8 kBaud); COM2 (38,4 kBaud); COM3 (230,4 kBaud)                               |
| IO-Link revision                                | 1.1   |
| Number of ports class A                         | 4   |
| Operating conditions                            |   |
| Ambient temperature [°C]                        | -25...60  |
| Storage temperature [°C]                        | -25...85  |
| Max. relative air humidity [%]                  | 90  |
| Protection                                      | IP 65; IP 66; IP 67; IP 69K; (operation with stainless steel protective caps: IP 69K) |
| Degree of soiling                               | 2   |
| Tests / approvals                               |   |
| EMC   | EN 61000-6-2  |
|   | EN 61000-6-4  |
| Shock resistance                                | DIN EN 60068-2-27   |
| Vibration resistance                            | DIN EN 60068-2-64 2009-04   |
|   | DIN EN 60068-2-6 2008-10  |
| MTTF [years]                                    | 126   |
| Mechanical data                                 |   |
| Weight [g]                                      | 304.5   |
| Materials                                       | housing: PA grey; socket: stainless steel (1.4404 / 316L)                             |
| Sealing material                                | EPDM / EPDM   |

# AL1351



## IO-Link master with IoT interface

IO-Link Master DL IoT 4P IP69K

### Remarks

|               |  |
|---------------|--|
| Remarks       | For further information please see the operating instructions. |
| Pack quantity | 1 pcs.   |

### Electrical connection - Ethernet

Connector: M12; Sealing: EPDM

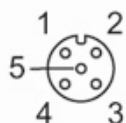


### IoT X21, X22

|   |          |
|---|----------|
| 1 | TX +     |
| 2 | RX +     |
| 3 | TX -     |
| 4 | RX -     |
| 5 | not used |

### Electrical connection - Process connection

Connector: M12; Sealing: EPDM



### IO-Link Port Class A X01...X04

|   |                       |
|---|-----------------------|
| 1 | Sensor supply (US) L+ |
| 2 | digital input         |
| 3 | Sensor supply (US) L- |
| 4 | C/Q IO-Link           |
| 5 | not used              |

### Electrical connection - voltage supply

Connector: M12



# AL1351



## IO-Link master with IoT interface

IO-Link Master DL IoT 4P IP69K

### X31

|   |                |
|---|----------------|
| 1 | + 24 V DC (US) |
| 2 | not used       |
| 3 | GND (US)       |
| 4 | not used       |