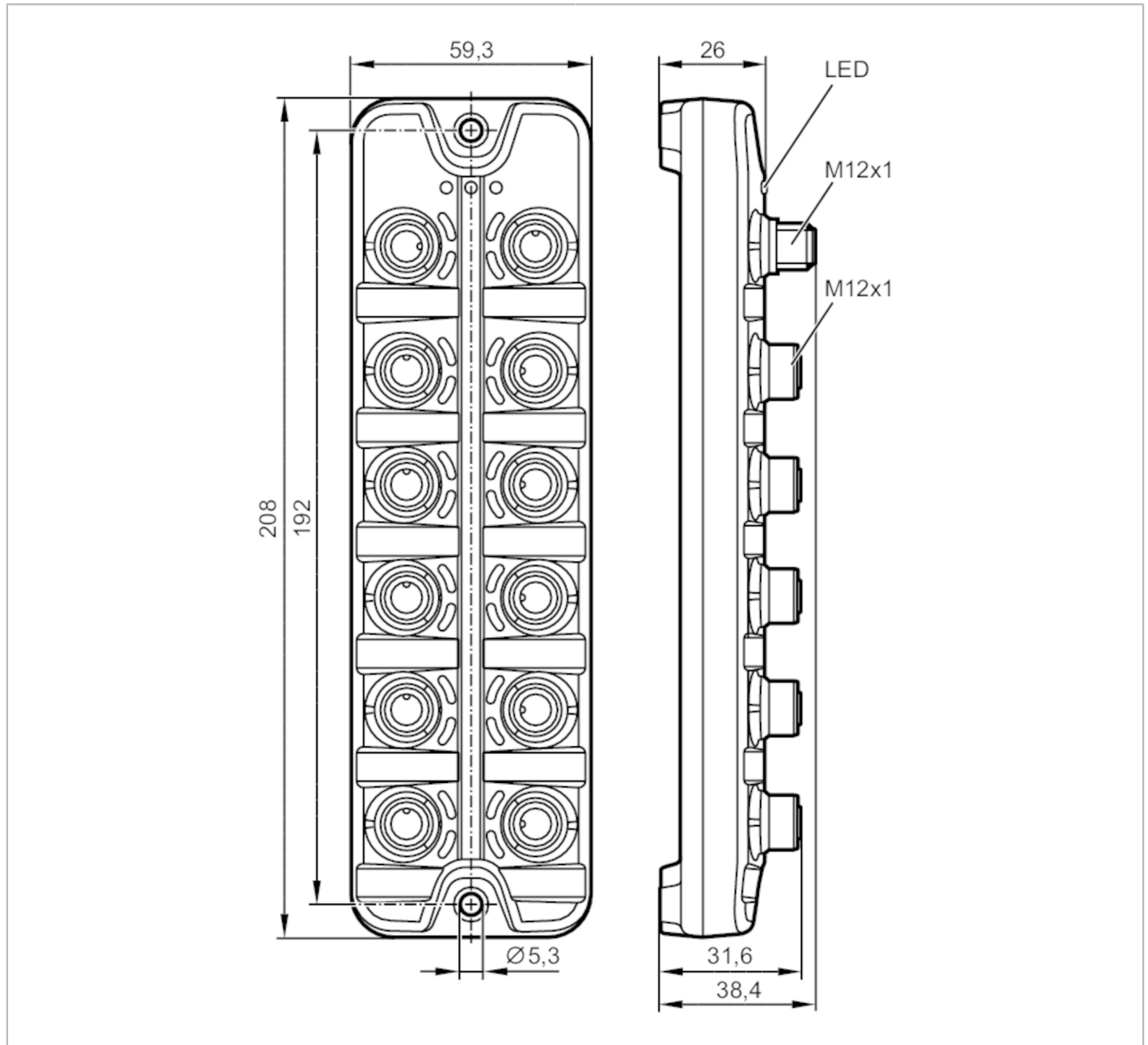


# AL2231



## IO-Link CompactLine module

IO-Link Module 10x2 DO M12 IP69K



Electrical data		
Operating voltage	[V]	18...30 DC; (US)
Current consumption	[mA]	50; (US)
Protection class		III
Additional voltage supply	[V]	18...28 DC; (UA)
Max. current consumption from additional supply	[mA]	3600; (UA)
Inputs / outputs		
Number of inputs and outputs		Number of digital outputs: 20



## IO-Link CompactLine module

IO-Link Module 10x2 DO M12 IP69K

Outputs		
Number of digital outputs		20; (10 x 2)
Circuit		PNP
Output function		transistor
Max. current load per output [mA]		1800
Max. current load outputs total [A]		3.6; (Max. current load per output side: 1800 mA)
Electrically separated		yes
Interfaces		
Communication interface		IO-Link
Supported DeviceIDs	Type of operation	DeviceID
	Default	893
IO-Link Device		
Transmission type		COM2 (38,4 kBaud)
IO-Link revision		1.1
SDCI standard		IEC 61131-9
SIO mode		no
Min. process cycle time [ms]		5.6
Operating conditions		
Ambient temperature [°C]		-25...60
Storage temperature [°C]		-25...70
Max. relative air humidity [%]		90
Max. height above sea level [m]		2000
Protection		IP 65; IP 67; IP 69K; (operation with stainless steel protective caps: IP 69K)
Degree of soiling		2
Tests / approvals		
EMC	EN 61000-6-2	
	EN 61000-6-3	
	IEC 61131-9	
Shock resistance	DIN EN 60068-2-27	
Vibration resistance	DIN EN 60068-2-64	
	DIN EN 60068-2-6	
MTTF [years]		41
Mechanical data		
Weight [g]		422.8
Dimensions [mm]		26 x 59.3 x 208
Materials		housing: PA grey; socket: stainless steel (1.4404 / 316L)
Sealing material		EPDM
Displays / operating elements		
Display	operation	LED, green
	errors	LED, red
	function	LED, yellow
Accessories		
Accessories (optional)		Protective caps M12

# AL2231



## IO-Link CompactLine module

IO-Link Module 10x2 DO M12 IP69K

### Remarks

Pack quantity

1 pcs.

### Electrical connection - IO-Link

Connector: M12

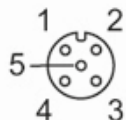


### X1

1	+ 24 V DC (US)
2	not used
3	GND (US)
4	IO-Link

### Electrical connection - Outputs

Connector: M12; Sealing: EPDM



### X1.0...X1.9

1	not used
2	DO2
3	GND (UA)
4	DO1
5	not used

### Electrical connection - voltage supply

Connector: M12



# AL2231



## IO-Link CompactLine module

IO-Link Module 10x2 DO M12 IP69K

### X31

1	+ 24 V DC (UAL)
2	GND (UAR)
3	GND (UAL)
4	+ 24 V DC (UAR)