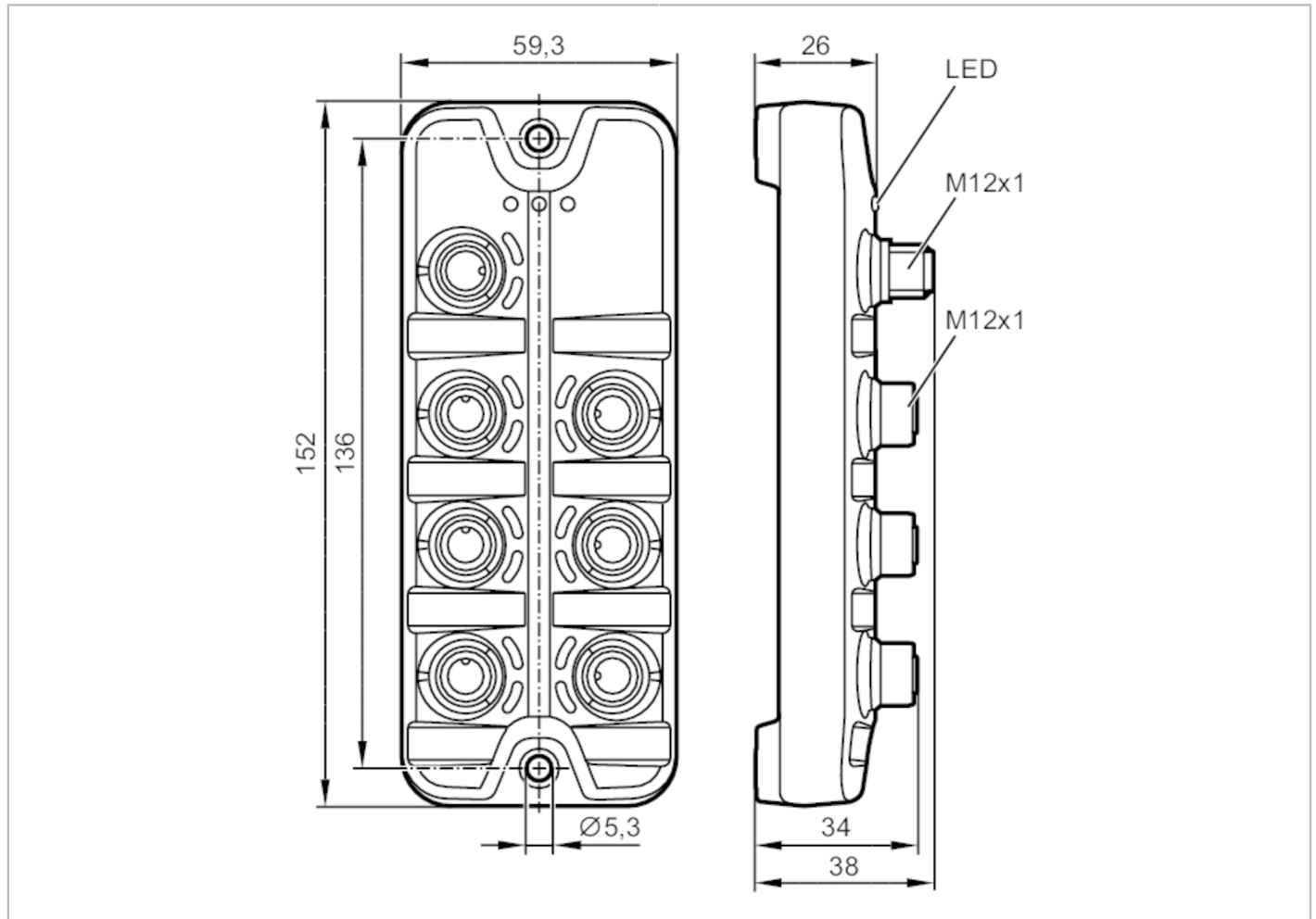


AL2240



IO-Link input module

IO-Link Module 6x2 DI M12 IP69K



Electrical data	
Operating voltage	[V] 18...30 DC
Current consumption	[mA] 100...700; (US)
Protection class	III
Sensor supply US	
Current rating per port	[A] 0.1
Inputs / outputs	
Number of inputs and outputs	Number of digital inputs: 12
Inputs	
Number of digital inputs	12; (6 x 2 PNP type 2 according to IEC 61131-2)
Sensor supply of the inputs	IO-Link
Voltage supply	[V] 16...30

AL2240



IO-Link input module

IO-Link Module 6x2 DI M12 IP69K

Interfaces		
Communication interface	IO-Link	
SDCI standard	IEC 61131-9	
Transmission type	COM2 (38,4 kBaud)	
IO-Link revision	1.1	
SIO mode	no	
Required master port type	A	
Min. process cycle time [ms]	4.3	
Supported DeviceIDs	Type of operation	DeviceID
	Default	995
Operating conditions		
Ambient temperature [°C]	-25...60	
Storage temperature [°C]	-25...70	
Max. relative air humidity [%]	75; (5...75)	
Max. height above sea level [m]	2000	
Protection	IP 65; IP 67; IP 69K; (operation with stainless steel protective caps: IP 69K)	
Degree of soiling	2	
Tests / approvals		
EMC	EN 61000-6-2	
	EN 61000-6-3	
	IEC 61131-9	
Shock resistance	DIN EN 60068-2-27	
Vibration resistance	DIN EN 60068-2-64	
	DIN EN 60068-2-6	
MTTF [years]	197	
Mechanical data		
Weight [g]	300	
Materials	housing: PA grey; socket: stainless steel (1.4404 / 316L)	
Sealing material	EPDM	
Displays / operating elements		
Display	operation	1 x LED, green
	fault	1 x LED, red
	function	1 x LED, yellow
Accessories		
Accessories (optional)	protective cap for M12 sockets	
Remarks		
Pack quantity	1 pcs.	
Electrical connection - IO-Link		
Connector: 1 x M12		

AL2240



IO-Link input module

IO-Link Module 6x2 DI M12 IP69K

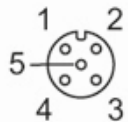


X1

1	+ 24 V DC (US)
2	not used
3	GND (US)
4	IO-Link

Electrical connection - Inputs

Connector: 6 x M12; Sealing: EPDM



X1.0...X1.5

1	Sensor supply + 24 V DC (US)
2	digital input DI2
3	Sensor supply GND (US)
4	digital input DI1
5	not used