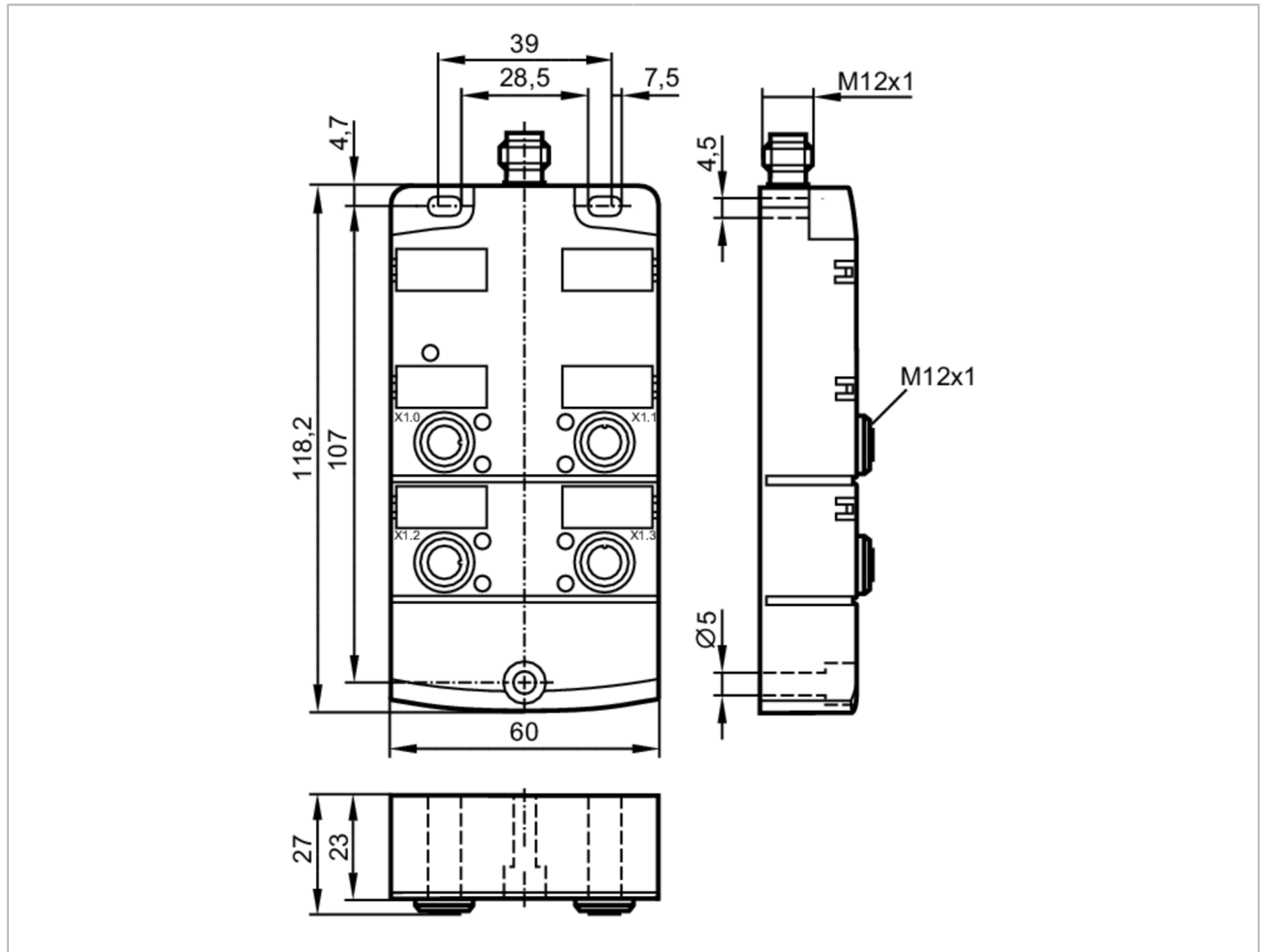


# AL2400



## IO-Link CompactLine module

IO-Link module 4 x 2 DI IP 67



| Electrical data              |   |
|------------------------------|---|
| Operating voltage            | [V] 18...30 DC; ("supply class 2" to cULus) |
| Current consumption          | [mA] < 50                                   |
| Sensor supply US             |   |
| Current rating per port      | [A] 0.1                                     |
| Inputs / outputs             |   |
| Number of inputs and outputs | Number of digital inputs: 8                 |

# AL2400



## IO-Link CompactLine module

IO-Link module 4 x 2 DI IP 67

| Inputs  |                   |   |
|---|-------------------|---|
| Number of digital inputs                        |                   | 8; (4 x 2)  |
| Input circuit of digital inputs                 |                   | PNP   |
| Sensor supply of the inputs                     |                   | IO-Link   |
| Input current limitation [mA]                   |                   | 15  |
| Input current High [mA]                         |                   | 6...10  |
| Input current Low [mA]                          |                   | 0...2   |
| Min. switching level high signal [V]            |                   | 11  |
| Digital inputs protected against short circuits |                   | yes   |
| Interfaces                                      |                   |   |
| Communication interface                         |                   | IO-Link   |
| Supported DeviceIDs                             | Type of operation | DeviceID  |
|   | Default           | 554   |
| IO-Link Device                                  |                   |   |
| Transmission type                               |                   | COM2 (38,4 kBaud)   |
| IO-Link revision                                |                   | 1.1   |
| SDCI standard                                   |                   | IEC 61131-9   |
| SIO mode  |                   | no  |
| Process data analogue                           |                   | 1   |
| Process data binary                             |                   | 12  |
| Min. process cycle time [ms]                    |                   | 2.9   |
| Operating conditions                            |                   |   |
| Ambient temperature [°C]                        |                   | -25...70  |
| Protection                                      |                   | IP 67   |
| Tests / approvals                               |                   |   |
| EMC   | EN 61000-6-2      |   |
|   | EN 61000-6-3      |   |
|   | IEC 61131-9       |   |
| Mechanical data                                 |                   |   |
| Weight [g]                                      |                   | 300   |
| Materials                                       |                   | PA; socket: brass nickel-plated; O-ring: FKM  |
| Sealing material                                |                   | FKM   |
| Displays / operating elements                   |                   |   |
| Display   | operation         | LED, green  |
|   | errors            | LED, red  |
|   | function          | LED, yellow   |
| Accessories                                     |                   |   |
| Accessories (optional)                          |                   | Stainless steel sleeve, for installation in case of high mechanical stress , E70402 |
| Remarks   |                   |   |
| Remarks   |                   | For use in NFPA 79 applications only  |
|   |                   | The device is to be operated to IO-Link specification V1.1.2.                       |
|   |                   | The maximum cable length of the IO-Link cable is 20 m.                              |
| Pack quantity                                   |                   | 1 pcs.  |



## IO-Link CompactLine module

IO-Link module 4 x 2 DI IP 67

### Electrical connection - IO-Link

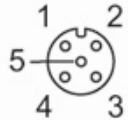
Connector: M12



|   |          |
|---|----------|
| 1 | UB +     |
| 2 | not used |
| 3 | UB -     |
| 4 | IO-Link  |

### Electrical connection - Process connection

Connector: M12; Sealing: FKM



|   |                     |
|---|---------------------|
|   | Inputs X1.0...X1.3  |
| 1 | Sensor supply +24 V |
| 2 | IN 2                |
| 3 | Sensor supply 0 V   |
| 4 | IN 1                |
| 5 | not used            |