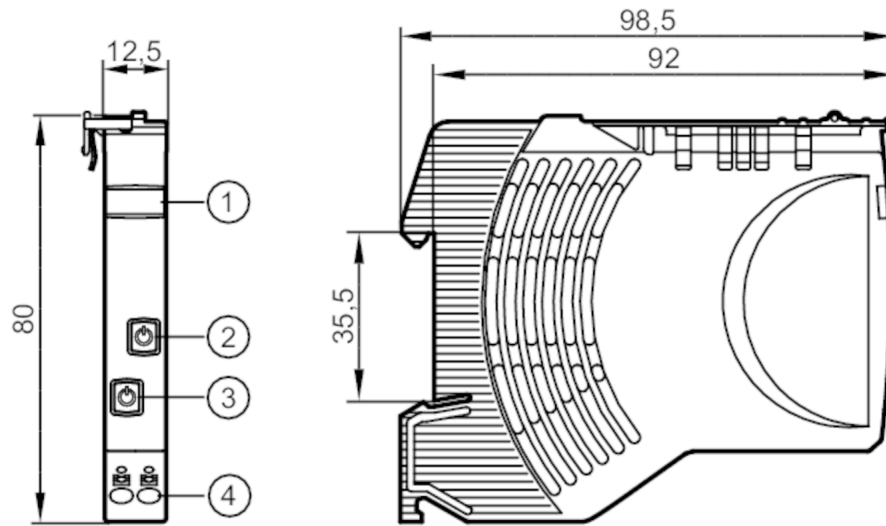


DF1220



Circuit protection module for an uninterrupted power supply

Fuse/Standard/24VDC/2x1-10A



- 1 panel for labelling
- 2 pushbutton on / off / reset status LED 2
- 3 pushbutton on / off / reset status LED 1
- 4 push-in terminals Outputs 1/2



Application

Installation rail TH35; according to EN 60715

Electrical data

Operating voltage [V]	to SELV/PELV
Nominal voltage DC [V]	24
Input voltage DC [V]	19.2...30
Protection class	III
Reverse polarity protection	yes
Mains buffering time (nominal voltage 24 V DC) [ms]	10
Closed-circuit current [mA]	12
Number of channels	2
Nominal current [A]	1...10
Nominal current (Fail Safe Element) [A]	10

Outputs

Load capacitance, total [mF] 20

Operating conditions

Ambient temperature [°C]	-25...60
Storage temperature [°C]	-40...70
Protection	IP 20; (on the front)
Degree of soiling	2

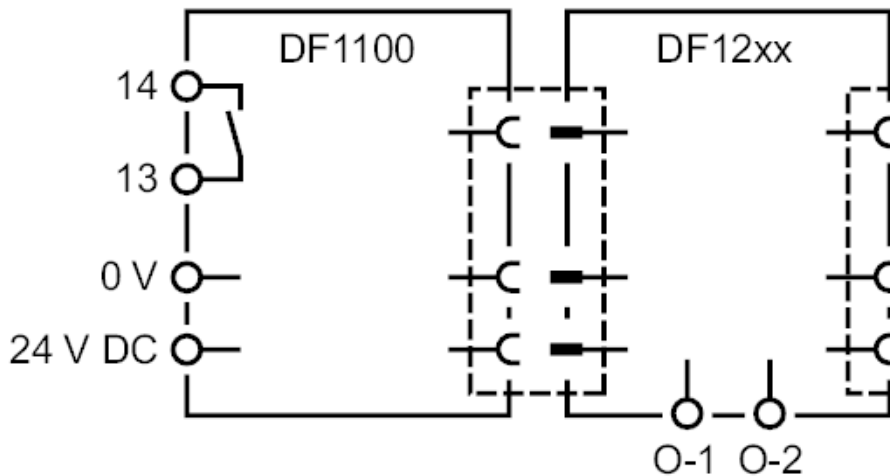
DF1220



Circuit protection module for an uninterrupted power supply

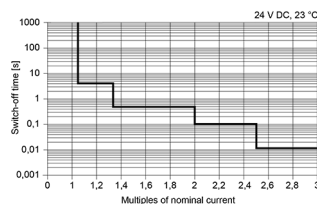
Fuse/Standard/24VDC/2x1-10A

Tests / approvals		
EMC	EN 61000-6-3	radiation of interference
	EN 61000-6-2	immunity
Mechanical data		
Weight	[g]	73.5
Dimensions	[mm]	80 x 12.5 x 98
Displays / operating elements		
Display	status	2 x LED, red / green / orange
Operating elements	2 x	pushbutton
Electrical connection		
push-in terminals:		
contact lever/strip:		
Connection		



Diagrams and graphs

output characteristics



time-current characteristics