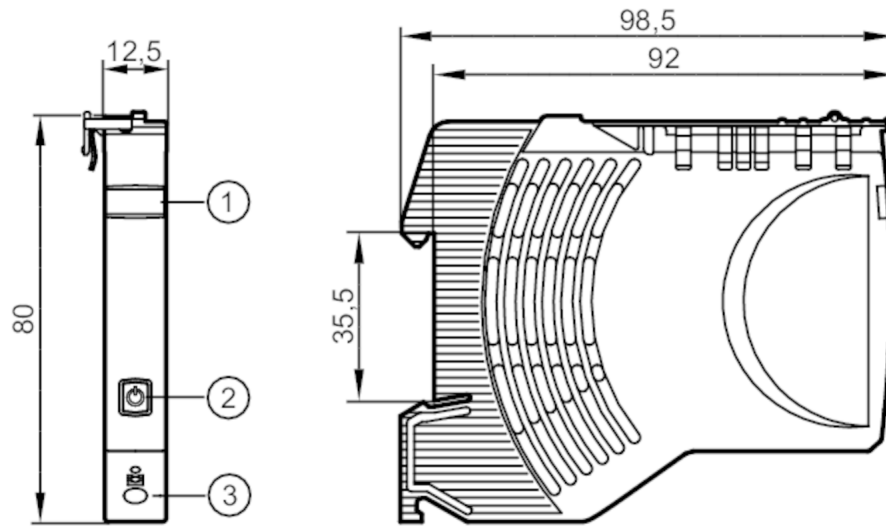


DF2208



Electronic circuit breaker

Fuse/IO-Link/24VDC/8A



- 1 panel for labelling
- 2 pushbutton on / off / reset status LED 1
- 3 push-in terminal Output 1



Electrical data

Operating voltage	[V]	to SELV/PELV
Nominal voltage DC	[V]	24
Input voltage DC	[V]	18...30
Protection class		III
Mains buffering time (nominal voltage 24 V DC)	[ms]	10
Closed-circuit current	[mA]	10
Number of channels		1
Nominal current	[A]	8
Nominal current (Fail Safe Element)	[A]	8

Outputs

Load capacitance, total	[mF]	20
-------------------------	------	----

Operating conditions

Ambient temperature	[°C]	-25...60
Storage temperature	[°C]	-40...70
Protection		IP 20; (on the front)
Degree of soiling		2

Tests / approvals

EMC	EN 61000-6-3	radiation of interference
	EN 61000-6-2	immunity

Mechanical data

Weight	[g]	71.5
Dimensions	[mm]	80 x 12.5 x 98.5

DF2208



Electronic circuit breaker

Fuse/IO-Link/24VDC/8A

Displays / operating elements

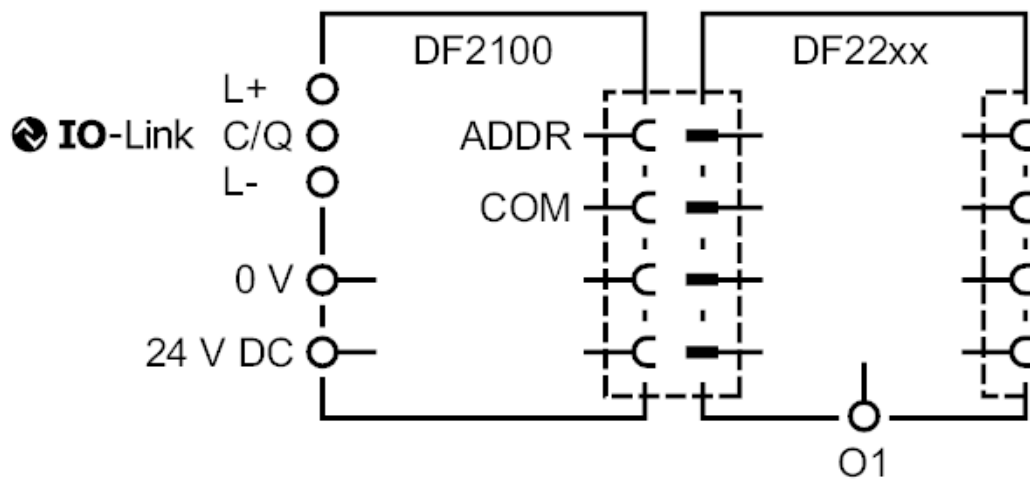
Display	status	1 x LED, red / green / orange
Operating elements	1 x	pushbutton

Electrical connection

push-in terminals:

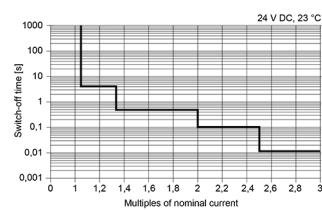
contact lever/strip:

Connection



Diagrams and graphs

output characteristics



time-current characteristics