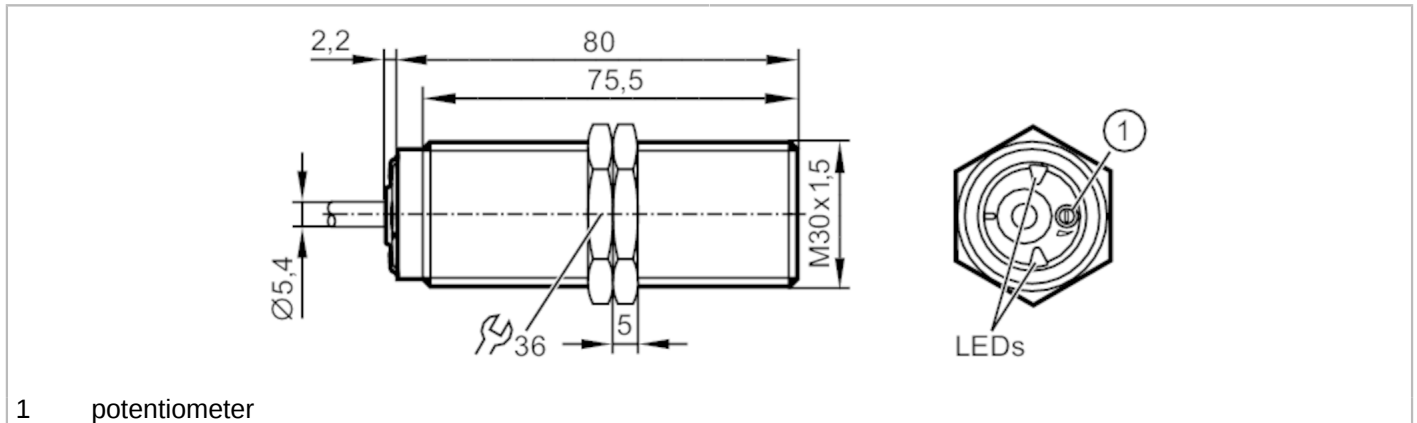


DI0104



Compact evaluation unit for speed monitoring

DIA2010-ZROA/5-3600 I/MIN/OAU



1 potentiometer



Product characteristics	
Output function	normally open
Sensing range [mm]	10
Housing	threaded type
Dimensions [mm]	M30 x 1.5 / L = 80
Application	
Application	simple evaluation of rotating and linear movement with regard to underspeed; blocking
Electrical data	
Nominal voltage AC [V]	20...250
Nominal voltage DC [V]	20...250
Nominal frequency AC [Hz]	45...65
Protection class	II
Reverse polarity protection	yes
Outputs	
Total number of outputs	1
Output function	normally open
Max. voltage drop switching output DC [V]	7.5
Minimum load current [mA]	6
Max. leakage current [mA]	1.5
Permanent current rating of switching output AC [mA]	350
Permanent current rating of switching output DC [mA]	100
Short-time current rating of switching output [mA]	2200; ((20 ms / 0,5 Hz))
Short-circuit proof	no
Overload protection	no

DI0104



Compact evaluation unit for speed monitoring

DIA2010-ZROA/5-3600 I/MIN/OAU

Detection zone		
Sensing range	[mm]	10
Sensing range adjustable		no
Real sensing range Sr	[mm]	10 ± 10 %
Operating distance	[mm]	0...8.1
Measuring/setting range		
Setting range	[Imp/min]	5...3600
Accuracy / deviations		
Correction factor		steel: 1 / stainless steel: 0.8 / brass: 0.5 / aluminium: 0.5 / copper: 0.4
Hysteresis	[% of Sr]	10
Response times		
Start-up delay	[s]	< 0.5
Max. damping frequency	[Imp/min]	4800
Software / programming		
Adjustment of the switch point		multiturn potentiometer
Operating conditions		
Ambient temperature	[°C]	-25...80
Storage temperature	[°C]	-25...80
Protection		IP 65; IP 67
Tests / approvals		
EMC		EN 60947-5-2
Mechanical data		
Weight	[g]	297
Housing		threaded type
Mounting		flush mountable
Dimensions	[mm]	M30 x 1.5 / L = 80
Thread designation		M30 x 1.5
Materials		brass special coating; PA; TPE-U
Tightening torque	[Nm]	50
Displays / operating elements		
Display	switching status	2 x LED, yellow
Electrical connection		
Required protection		miniature fuse to IEC60127-2 sheet 1; ≤ 2 A; fast acting
Accessories		
Items supplied		lock nuts: 2
Remarks		
Remarks		Recommendation Check the safe functioning of the unit after a short circuit.

DI0104



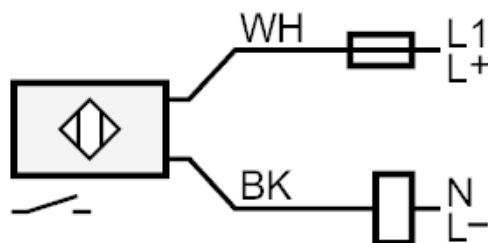
Compact evaluation unit for speed monitoring

DIA2010-ZROA/5-3600 I/MIN/OAU

Electrical connection

Cable: 2 m, PUR; 2 x 0.5 mm²

Connection



Note miniature fuse to IEC60127-2 sheet 1 \leq 2 A (fast acting)

Core colours :

BK = black

WH = white