

DI5004



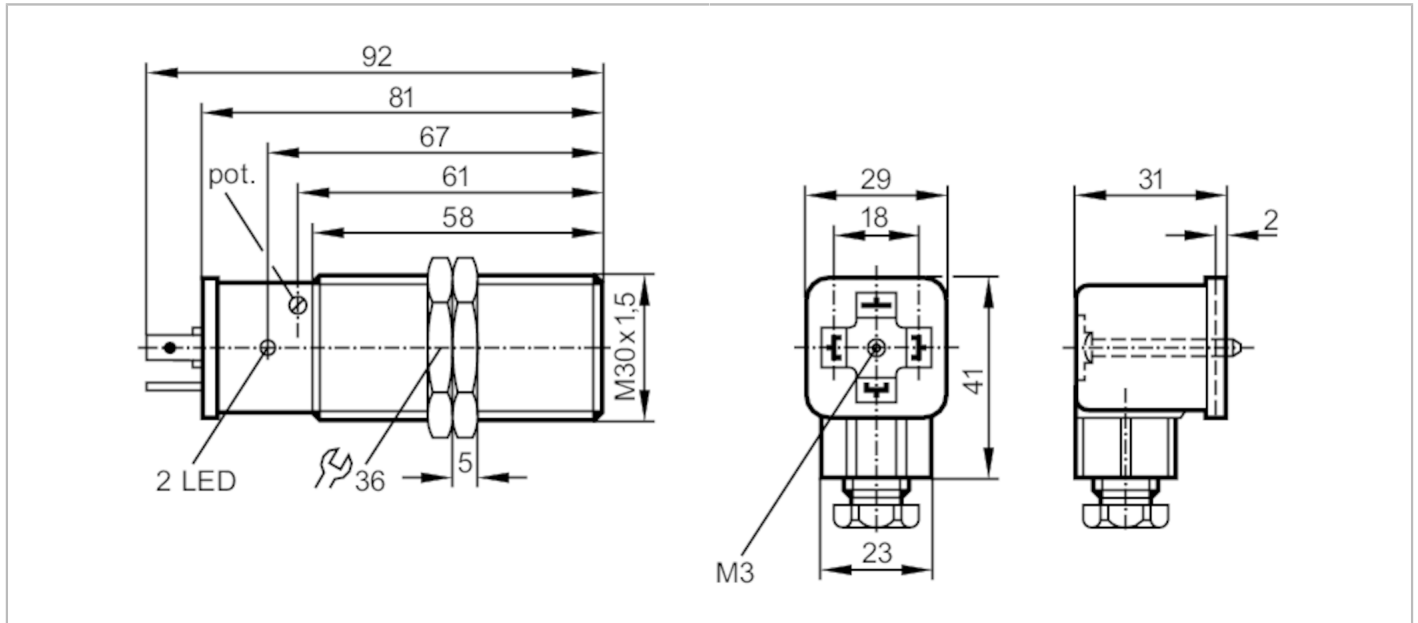
Compact evaluation unit for speed monitoring

DIA3010-ZPKG/SS-000-K

discontinued article

Alternative articles: DI5023 + E30436

When selecting an alternative article and accessories please note that technical data may differ!



Product characteristics

Electrical design		PNP
Output function		normally open
Sensing range	[mm]	10
Housing		threaded type
Dimensions	[mm]	M30 x 1.5 / L = 81

Application

Application	simple evaluation of rotating and linear movement with regard to underspeed; blocking
-------------	---

Electrical data

Nominal voltage DC	[V]	10...36
Current consumption	[mA]	< 15
Reverse polarity protection		yes

DI5004



Compact evaluation unit for speed monitoring

DIA3010-ZPKG/SS-000-K

Outputs		
Total number of outputs		1
Electrical design		PNP
Output function		normally open
Max. voltage drop switching output DC [V]		2.5
Permanent current rating of switching output DC [mA]		250
Short-time current rating of switching output [mA]		250
Short-circuit proof		yes
Overload protection		yes
Detection zone		
Sensing range [mm]		10
Sensing range adjustable		no
Measuring/setting range		
Setting range [Imp/min]		5...300
Accuracy / deviations		
Correction factor		steel: 1 / stainless steel: 0.7 / brass: 0.5 / aluminium: 0.4 / copper: 0.3
Hysteresis [% of Sr]		10
Response times		
Start-up delay [s]		15
Max. damping frequency [Imp/min]		15000
Software / programming		
Adjustment of the switch point		multiturn potentiometer
Operating conditions		
Ambient temperature [°C]		-25...80
Protection		IP 67
Tests / approvals		
MTTF [years]		898
Mechanical data		
Weight [g]		200
Housing		threaded type
Mounting		flush mountable
Dimensions [mm]		M30 x 1.5 / L = 81
Thread designation		M30 x 1.5
Materials		brass special coating; PBT
Tightening torque [Nm]		50
Displays / operating elements		
Display	switching status	1 x LED, green
Accessories		
Items supplied	valve plug type A.; DIN EN 175301-803	

DI5004

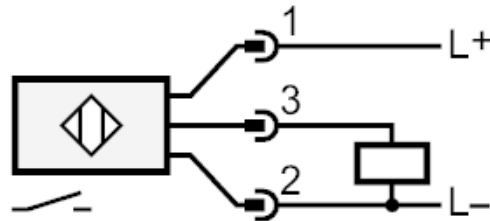


Compact evaluation unit for speed monitoring

DIA3010-ZPKG/SS-000-K

Electrical connection

Connection



Connector: 1 x SS plug-and-socket connection