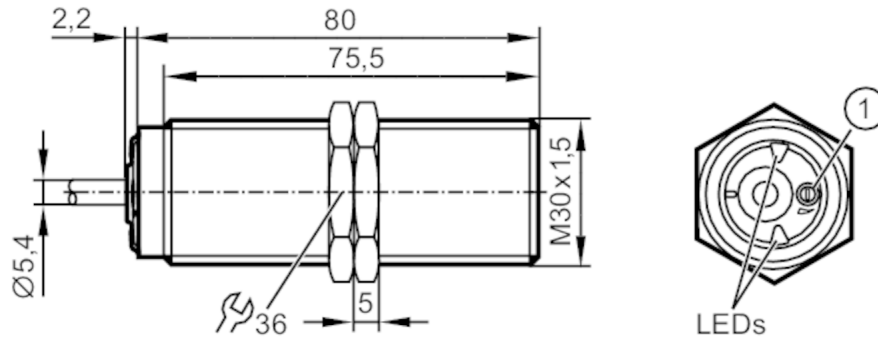


DI5026



Compact evaluation unit for speed monitoring

DIA3010-WRKG/IO



1 potentiometer



Product characteristics

Electrical design	PNP/NPN
Output function	normally open / normally closed; (parameterisable)
Sensing range [mm]	10
Communication interface	IO-Link
Housing	threaded type
Dimensions [mm]	M30 x 1.5 / L = 80

Application

Application	simple evaluation of rotating and linear movement with regard to underspeed; blocking
-------------	---------------------------------------------------------------------------------------

Electrical data

Nominal voltage DC [V]	10...36
Current consumption [mA]	< 22
Protection class	III
Reverse polarity protection	yes

Outputs

Electrical design	PNP/NPN
Output function	normally open / normally closed; (parameterisable)
Max. voltage drop switching output DC [V]	2.5
Permanent current rating of switching output DC [mA]	250
Short-time current rating of switching output [mA]	250
Short-circuit proof	yes
Overload protection	yes

Detection zone

Sensing range [mm]	10
Sensing range adjustable	no
Operating distance [mm]	0...8.1

Measuring/setting range

Setting range [Imp/min]	5...3600
-------------------------	----------

DI5026



Compact evaluation unit for speed monitoring

DIA3010-WRKG/IO

Accuracy / deviations		
Correction factor	steel: 1 / stainless steel: 0.7 / brass: 0.5 / aluminium: 0.4 / copper: 0.3	
Hysteresis [% of Sr]	10	
Response times		
Start-up delay [s]	0...30	
Max. damping frequency [Imp/min]	18000	
Software / programming		
Adjustment of the switch point	Multiturn potentiometer or IO-Link	
Interfaces		
Communication interface	IO-Link	
Operating conditions		
Ambient temperature [°C]	-25...80	
Storage temperature [°C]	-25...80	
Protection	IP 65; IP 67	
Tests / approvals		
MTTF [years]	656	
Mechanical data		
Weight [g]	302.5	
Housing	threaded type	
Mounting	flush mountable	
Dimensions [mm]	M30 x 1.5 / L = 80	
Thread designation	M30 x 1.5	
Materials	brass special coating; PA; TPE-U	
Tightening torque [Nm]	50	
Displays / operating elements		
Display	switching status	1 x LED, green
Accessories		
Items supplied	lock nuts: 2	

DI5026



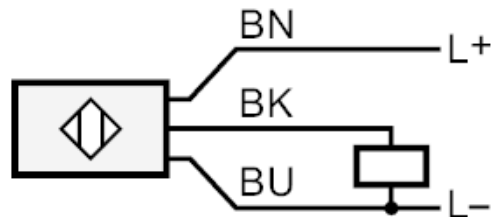
Compact evaluation unit for speed monitoring

DIA3010-WRKG/IO

Electrical connection

Cable: 2 m, PUR; 3 x 0.5 mm²

Connection



BK: OUT / IO-Link

Core colours :

BK = black

BN = brown

BU = blue