

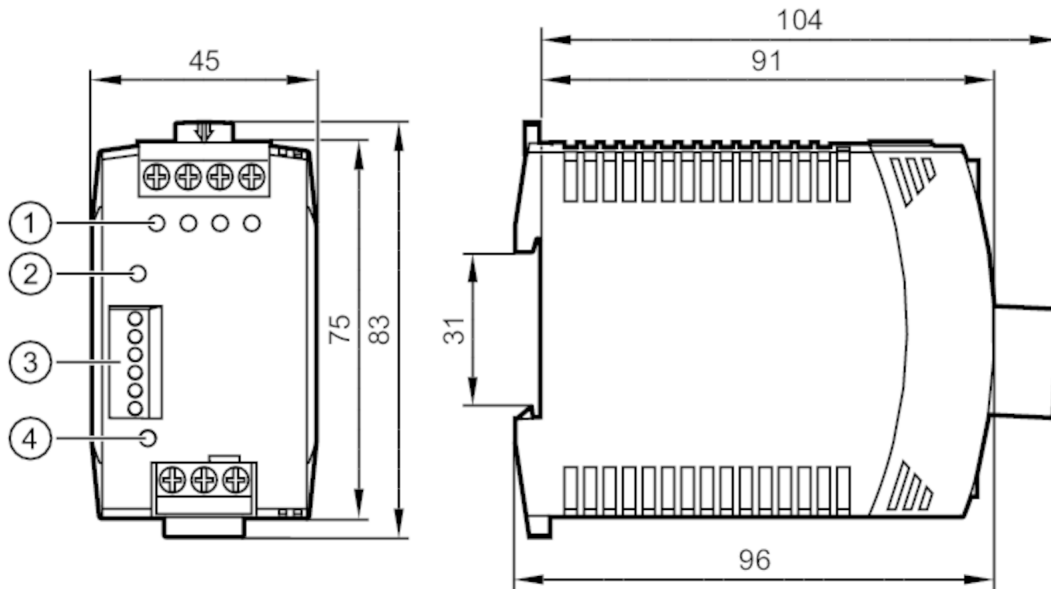
# DN0302



## Circuit protection module for an uninterrupted power supply

PSU-FUSE MODULE/24VDC/4x4A

discontinued article



- 1 LEDs errors
- 2 pushbutton on / off / reset
- 3 signal connector
- 4 status LED



### Electrical data

Nominal voltage DC	[V]	24
Input voltage DC	[V]	18...30
Protection class		III
Reverse polarity protection		no
Max. output current at min. output voltage	[A]	4
Note on max. output current		4 x 4
Input current (nominal voltage 24 V DC)	[A]	16
Input voltage required for switching on the outputs	[V]	21.4
Closed-circuit current	[mA]	43
Power loss (nominal voltage 24 V DC)	[W]	1.8
Power loss in open-circuit operation	[W]	1
Back feeding protection	[V]	30

# DN0302



## Circuit protection module for an uninterrupted power supply

PSU-FUSE MODULE/24VDC/4x4A

Outputs		
Activation of the input voltage protection level	[V]	21.4
Output current, total	[A]	16
Output current limitation	[A]	19.9
Voltage drop between input and output	[mV]	101
Load capacitance per output	[mF]	57
Load capacitance, total	[mF]	57
Response times		
Switch-on delay of the outputs	[ms]	270
Switch-off times at 2 x nominal current	[s]	1
Tripping times in case of short circuits	[ms]	5
Operating conditions		
Ambient temperature	[°C]	-25...70
Storage temperature	[°C]	-40...85
Max. relative air humidity	[%]	95; (non condensing)
Protection		IP 20
Degree of soiling		2
Tests / approvals		
EMC	EN 61000-4-2 ESD	8 kV CD / 8 kV AD
	EN 61000-4-3 HF radiated	10 V/m 80...2700 MHz
	EN 61000-4-4 Burst	2 kV
	EN 61000-4-5 Surge	0,5 kV
	EN 61000-4-6 HF conducted	10 V 0,15...80 MHz
Vibration resistance	IEC 60028-2-6	2 g 17,8...500 Hz
Shock resistance	IEC 60068-2-27	30 g 6 ms / 20 g 11 ms
Mechanical data		
Weight	[g]	203
Dimensions	[mm]	75 x 45 x 91
Materials		PC
Displays / operating elements		
Display	output overload	4 x LED, red
	voltage supply	1 x LED, green
Accessories		
Items supplied	pluggable screw terminal., for signal wires	
Remarks		
Pack quantity	1 pcs.	
Electrical connection		
, signal cables: 0.25...1.5 mm <sup>2</sup>		

# DN0302



## Circuit protection module for an uninterrupted power supply

PSU-FUSE MODULE/24VDC/4x4A  
, supply wires: 0.25...6 mm<sup>2</sup>

### Connection

