

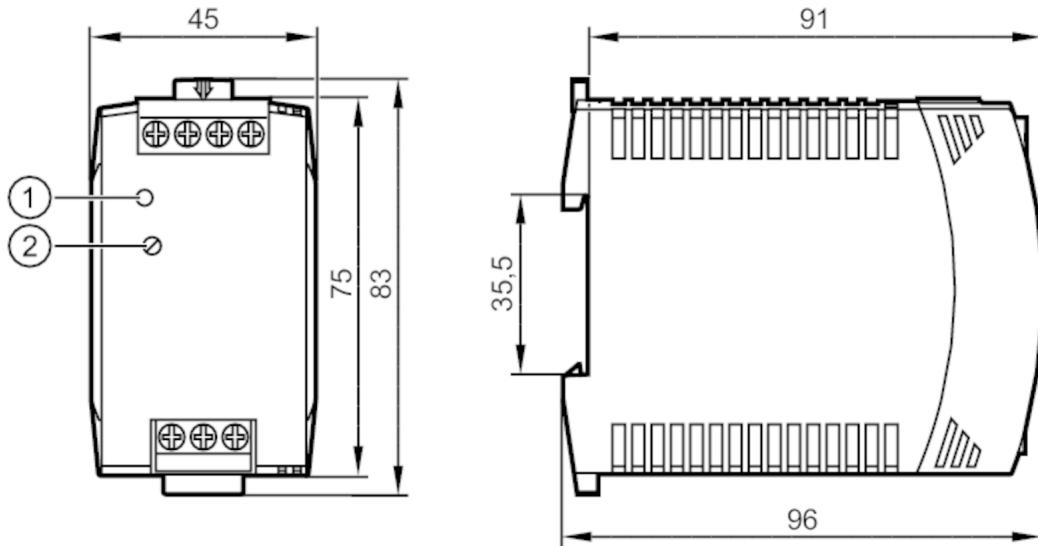
# DN1023



## Switched-mode power supply 12 V DC

PSU-1AC/12VDC-4.5A

discontinued article



- 1 LED DC ok
- 2 potentiometer



### Electrical data

Nominal voltage AC	[V]	100...240
Nominal frequency AC	[Hz]	50...60
Input voltage range AC	[V]	85...264
Output voltage DC	[V]	12...15
Protection class		I
Output voltage	[V]	adjustable
Output voltage tolerance	[%]	2
Max. output current at min. output voltage	[A]	4.5
Max. output current at max. output voltage	[A]	3.6
Number of output circuits		1
Max. residual ripple	[mV]	50
Efficiency (nominal voltage 230 V AC / 50 Hz)	[%]	87.2
Derating	[W/K]	1.4 (60...70 °C)
Mains buffering time (nominal voltage 230 V AC / 50 Hz)	[ms]	113

### Outputs

Short-circuit protection	yes
Overload protection	yes

### Operating conditions

Ambient temperature	[°C]	-10...70
Protection		IP 20

# DN1023



## Switched-mode power supply 12 V DC

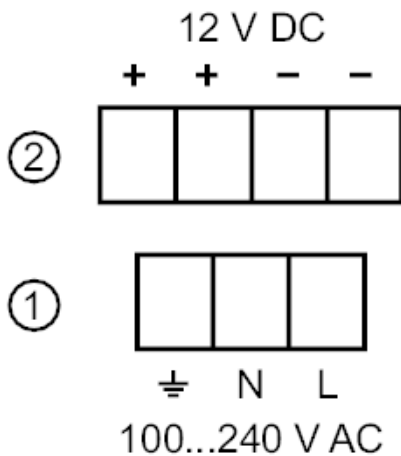
PSU-1AC/12VDC-4.5A

Tests / approvals		
EMC	EN 61000-6-1	immunity
	EN 61000-6-2	
	EN 61000-6-3	radiation of interference
	EN 61000-6-4	
Shock resistance	IEC 60068-2-27	
Mechanical data		
Weight	[g]	320
Type of mounting		rail; (TH35 (EN 60715))
Materials		PC
Displays / operating elements		
Display	function	LED, green
Remarks		
Pack quantity		1 pcs.

### Electrical connection

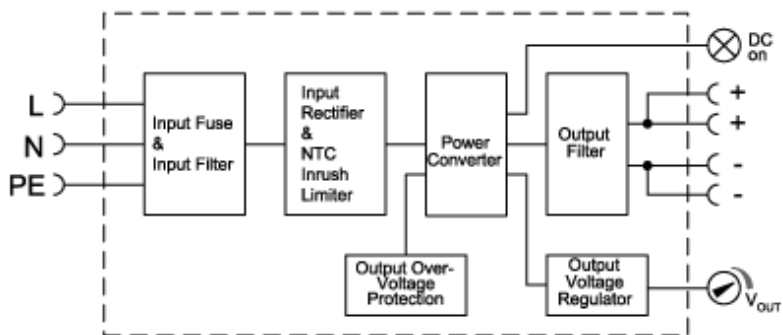
screw terminals: ...6 mm<sup>2</sup>

### Connection



### Diagrams and graphs

block diagram



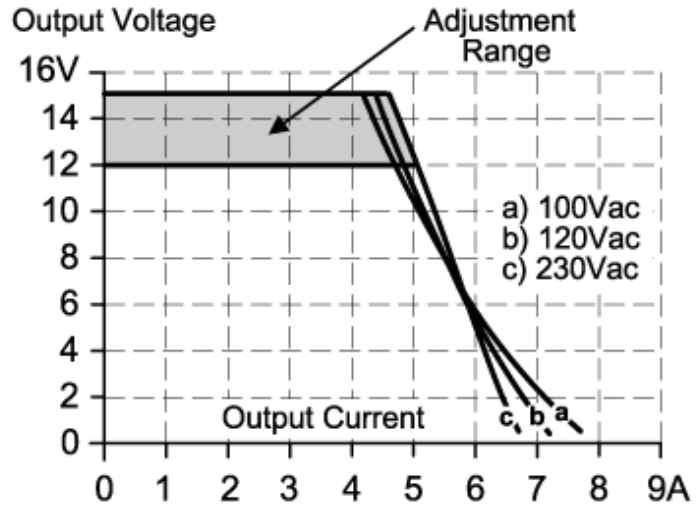
# DN1023



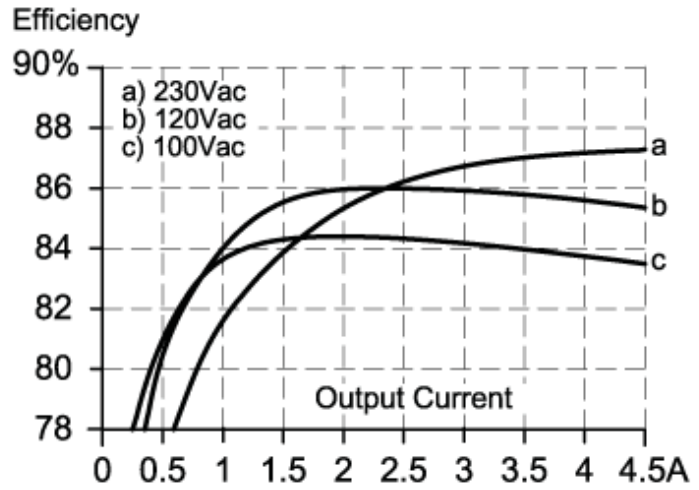
## Switched-mode power supply 12 V DC

PSU-1AC/12VDC-4.5A

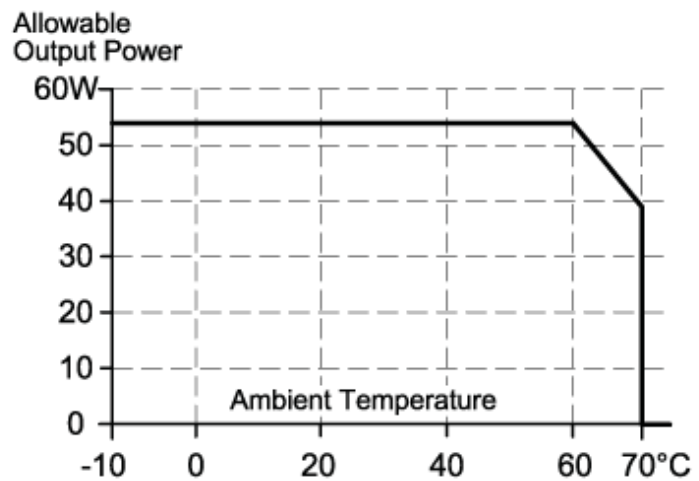
output characteristics



characteristic curve for degree of efficiency / power loss



characteristic line for derating



# DN1023



## Switched-mode power supply 12 V DC

PSU-1AC/12VDC-4.5A

characteristic line for mains buffering time

