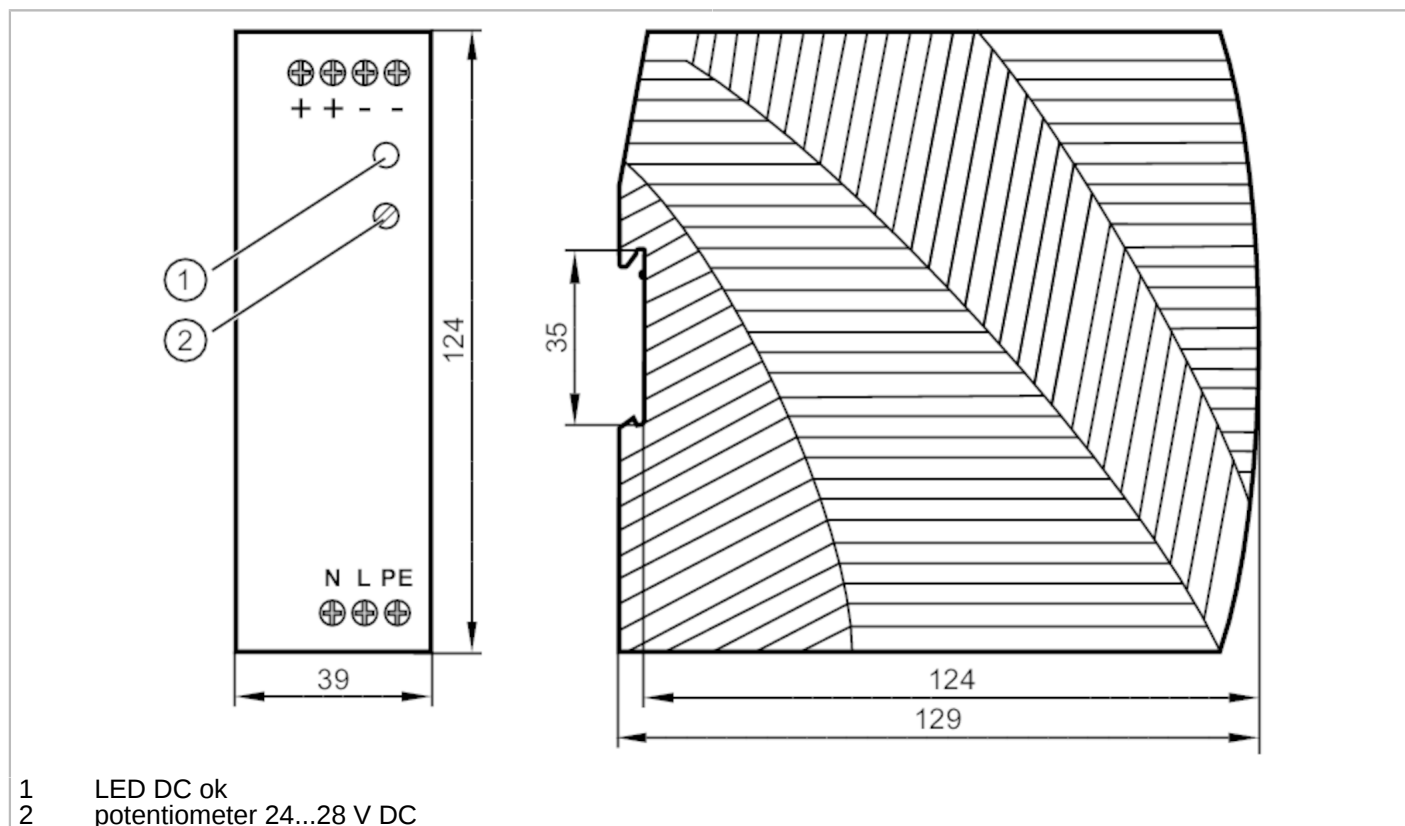


DN1042



Switched-mode power supply 24 V DC

PSU-1AC/200-240VAC/24VDC-5A





Switched-mode power supply 24 V DC

PSU-1AC/200-240VAC/24VDC-5A

Electrical data		
Frequency AC	[Hz]	47...63
Operating voltage tolerance	[%]	10
Nominal voltage AC	[V]	230
Input voltage range AC	[V]	200...240
Output voltage DC	[V]	24...28
Protection class		I; (IEC 61140)
Overvoltage protection		yes; (< 34 V DC)
Output voltage	[V]	adjustable; output voltage to SELV, PELV
Max. output current at min. output voltage	[A]	5
Max. output current at max. output voltage	[A]	4.3
Max. output current peak at min. output voltage	[A]	6
Max. output current peak at max. output voltage	[A]	5.1
Output power (permanent)	[W]	120
Power factor (nominal voltage 230 V AC / 50 Hz)		0.54
Number of output circuits		1
Max. residual ripple	[mV]	100
Switch-on peak current (nominal voltage 230 V AC / 50 Hz)	[A]	28
Efficiency (nominal voltage 230 V AC / 50 Hz)	[%]	90.5
External input protection		≤ B-10 A / ≤ C-6 A
Derating	[W/K]	3 (55...70 °C)
Mains buffering time (nominal voltage 230 V AC / 50 Hz)	[ms]	60
Input current (nominal voltage 230 V AC / 50 Hz)	[A]	1.06
Power loss (nominal voltage 230 V AC / 50 Hz)	[W]	12.6
Back feeding protection	[V]	35
Outputs		
Short-circuit proof		yes
Overload protection		yes
Overload performance		output current constant
Parallel connection of outputs possible		no
Series connection of outputs possible		yes

DN1042



Switched-mode power supply 24 V DC

PSU-1AC/200-240VAC/24VDC-5A

Operating conditions	
Ambient temperature [°C]	-10...70
Note on ambient temperature	observe the free space for convection (see operating instructions)
Storage temperature [°C]	-40...85
Max. relative air humidity [%]	95; (IEC 60068-2-30)
Protection	IP 20; (EN 60529)
Degree of soiling	2; (IEC 62103: conductive soiling not permitted)

Tests / approvals		
EMC	EN 61000-6-1	
	EN 61000-6-2	
	EN 61000-6-4	
Vibration resistance	IEC 60068-2-6	±1,6 mm 2...17,8 Hz / 2 g 17,8...500 Hz
Shock resistance	IEC 60068-2-27	30 g 6 ms / 20 g 11 ms

Mechanical data	
Weight [g]	372.5
Type of mounting	rail; (TH35 (EN 60715))
Dimensions [mm]	124 x 39 x 129
Materials	PC

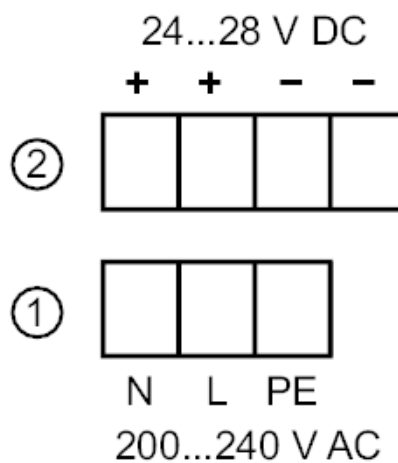
Displays / operating elements		
Display	DC ok	1 x LED

Remarks	
Remarks	Series connection of outputs only applies to identical units up to max. 150 V DC overall voltage UL 508 (Industrial Control Equipment)
Pack quantity	1 pcs.

Electrical connection

screw terminals:

Connection



- 1: primary
- 2: secondary

DN1042

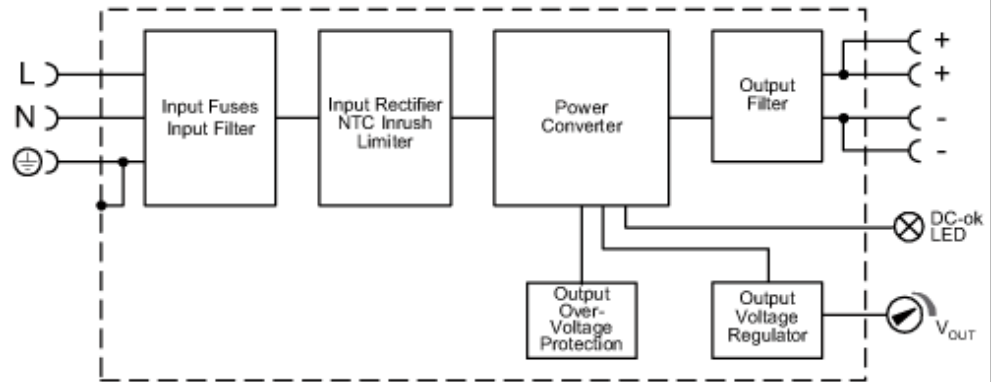


Switched-mode power supply 24 V DC

PSU-1AC/200-240VAC/24VDC-5A

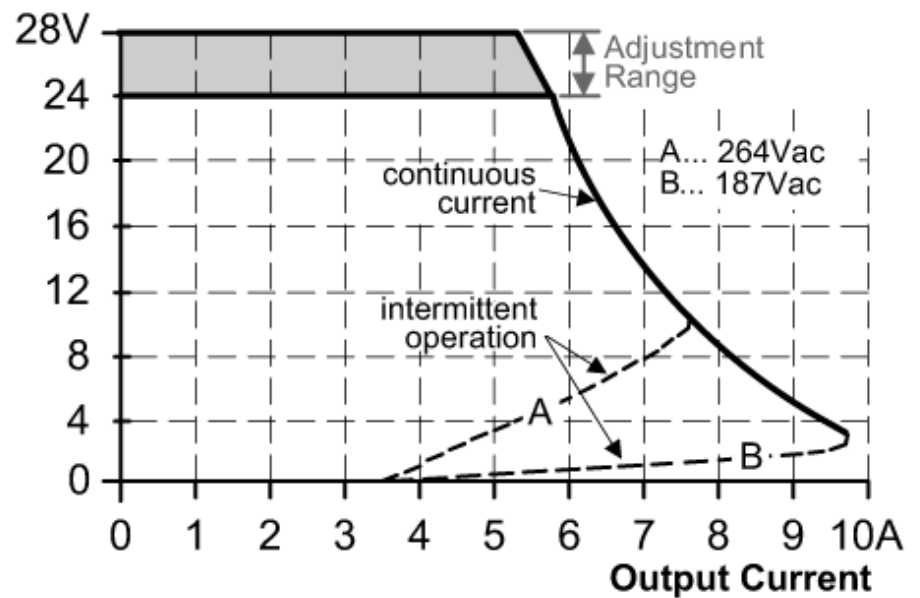
Diagrams and graphs

block diagram



output characteristics

Output Voltage



DN1042

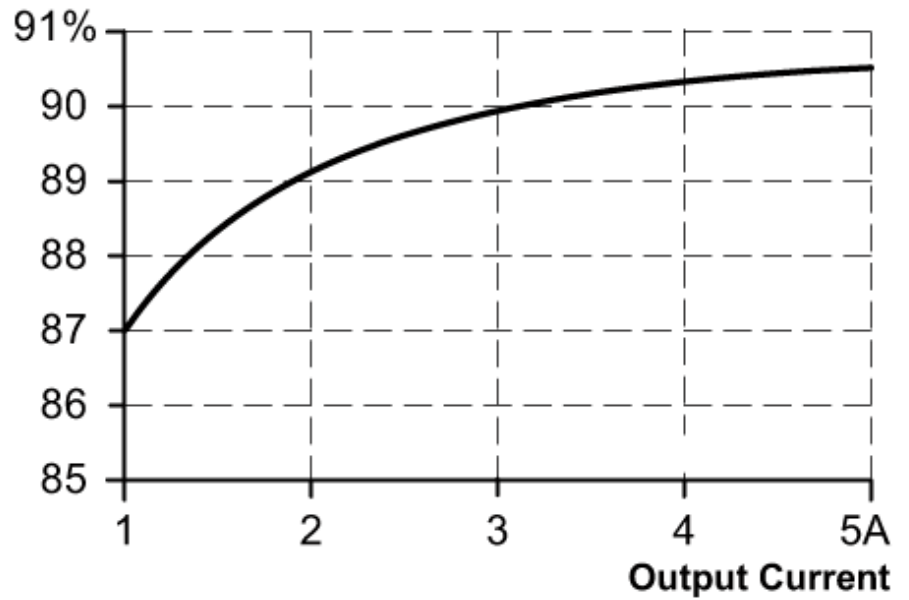


Switched-mode power supply 24 V DC

PSU-1AC/200-240VAC/24VDC-5A

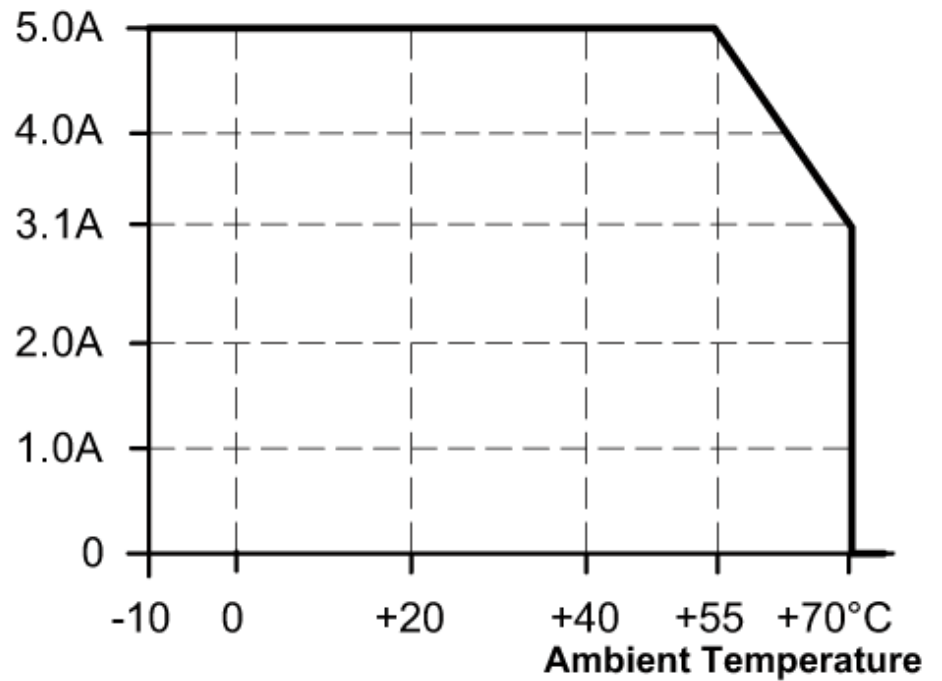
characteristic curve for degree of efficiency / power loss

Efficiency



characteristic line for derating

Allowed Output Current at 24V



DN1042



Switched-mode power supply 24 V DC

PSU-1AC/200-240VAC/24VDC-5A

characteristic line for mains buffering time

Hold-up Time at 24V

