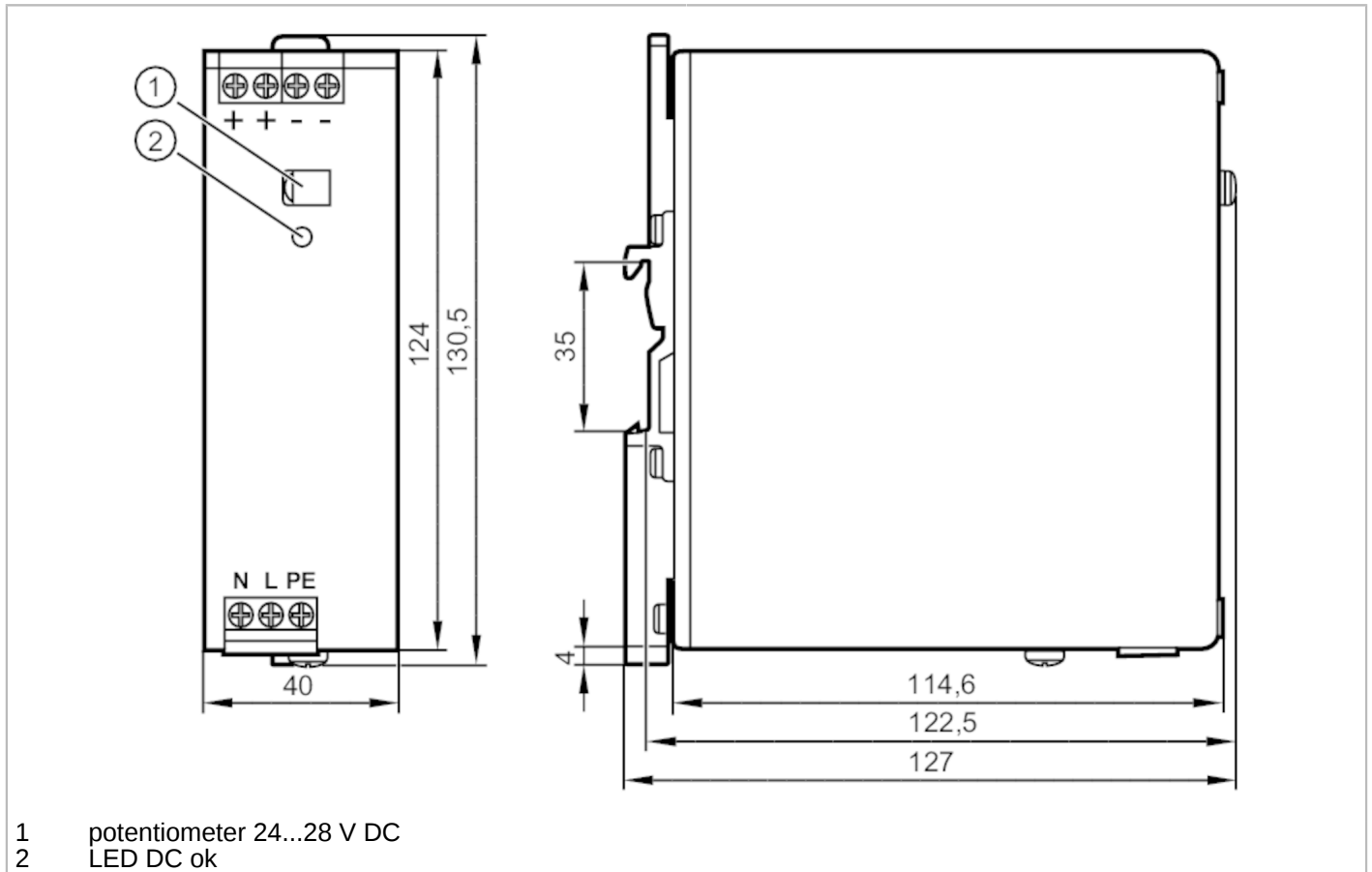


# DN4011



## Switched-mode power supply 24 V DC

PSU-1AC/24VDC-3,3A



Electrical data		
Frequency AC	[Hz]	47...64
Operating voltage tolerance	[%]	10
Operating voltage tolerance 2	[%]	20
Nominal voltage AC	[V]	< 230
Input voltage DC	[V]	110...300
Input voltage range AC	[V]	100...240
Output voltage DC	[V]	24...28
Protection class		I; (IEC 61140)
Overvoltage protection		yes; (< 39 DC)
Output voltage	[V]	adjustable; output voltage to SELV, PELV
Max. output current at min. output voltage	[A]	3.3
Max. output current at max. output voltage	[A]	2.7
Max. output current peak at min. output voltage	[A]	3.3
Max. output current peak at max. output voltage	[A]	2.7
Output power (permanent)	[W]	80
Output power (peak)	[W]	80

# DN4011



## Switched-mode power supply 24 V DC

PSU-1AC/24VDC-3,3A

Power factor (nominal voltage 120 V AC / 60 Hz)	0.61
Power factor (nominal voltage 230 V AC / 50 Hz)	0.56
Number of output circuits	1
Max. residual ripple [mV]	50
Switch-on peak current (nominal voltage 120 V AC / 60 Hz) [A]	23
Switch-on peak current (nominal voltage 230 V AC / 50 Hz) [A]	45
Inrush current limitation	yes
Efficiency (nominal voltage 120 V AC / 60 Hz) [%]	88
Efficiency (nominal voltage 230 V AC / 50 Hz) [%]	89.8
External input protection	$\leq B-10 A / \leq C-6 A$
Derating [W/K]	1.8 (60...70 °C)
Mains buffering time (nominal voltage 120 V AC / 60 Hz) [ms]	30
Mains buffering time (nominal voltage 230 V AC / 50 Hz) [ms]	128
Input current (nominal voltage 120 V AC / 60 Hz) [A]	1.24
Input current (nominal voltage 230 V AC / 50 Hz) [A]	0.68
Power loss (nominal voltage 120 V AC / 60 Hz) [W]	11.1
Power loss (nominal voltage 230 V AC / 50 Hz) [W]	9.1
Back feeding protection [V]	35
<b>Outputs</b>	
Overload protection	yes
Overload performance	output current constant
<b>Operating conditions</b>	
Ambient temperature [°C]	-25...70
Note on ambient temperature	observe the free space for convection (see operating instructions)
Storage temperature [°C]	-40...85
Max. relative air humidity [%]	95; (IEC 60068-2-30)
Protection	IP 20; (EN 60529)
Degree of soiling	2; (IEC 62103: conductive soiling not permitted)

# DN4011



## Switched-mode power supply 24 V DC

PSU-1AC/24VDC-3,3A

Tests / approvals		
EMC	EN 61000-6-1	
	EN 61000-6-2	
	EN 61000-6-3	
	EN 61000-6-4	
	EN 61000-3-2	Class A
Vibration resistance	IEC 60068-2-6	±1,6 mm 2...17,8 Hz / 2 g 17,8...500 Hz
Shock resistance	IEC 60068-2-27	30 g 6 ms / 20 g 11 ms
Power Factor Correction (PFC)	met	

Mechanical data		
Weight [g]	569	
Type of mounting	rail; (TH35 (EN 60715))	
Dimensions [mm]	124 x 40 x 122.5	
Materials	steel sheet	

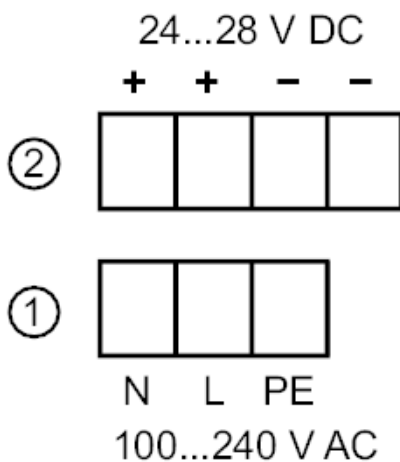
Displays / operating elements		
Display	DC ok	1 x LED

Remarks		
Remarks	Series connection of outputs only applies to identical units up to max. 150 V DC overall voltage	
Pack quantity	1 pcs.	

### Electrical connection

screw terminals:

### Connection



- 1: primary
- 2: secondary

# DN4011

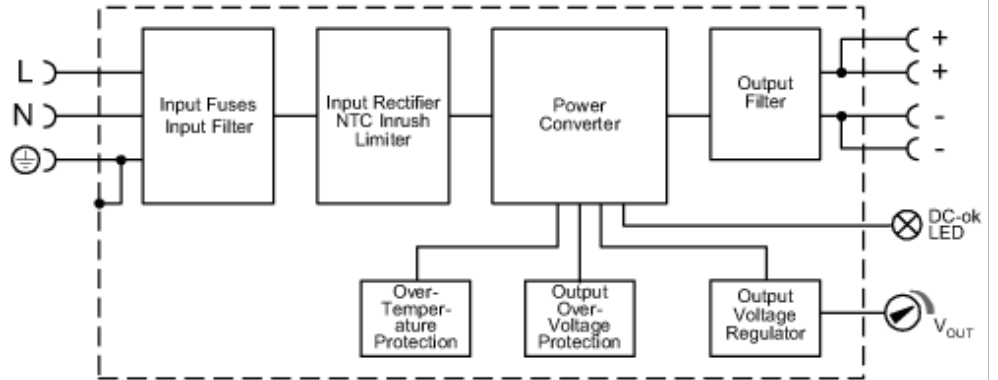


## Switched-mode power supply 24 V DC

PSU-1AC/24VDC-3,3A

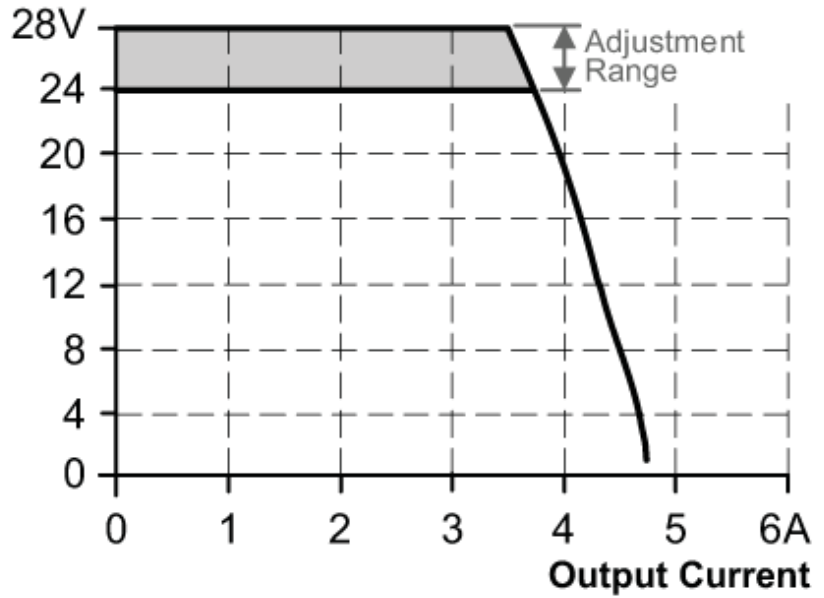
### Diagrams and graphs

block diagram



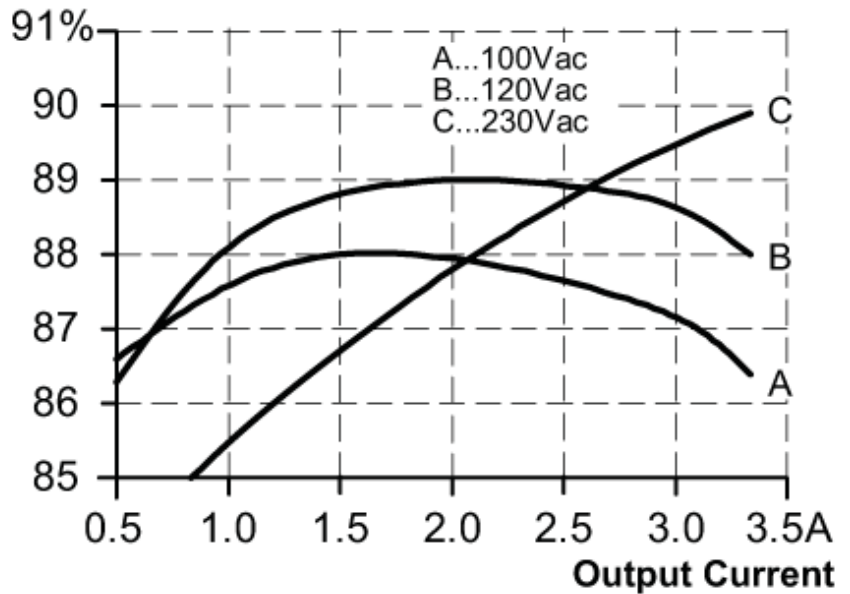
output characteristics

### Output Voltage



characteristic curve for degree of efficiency / power loss

### Efficiency



# DN4011

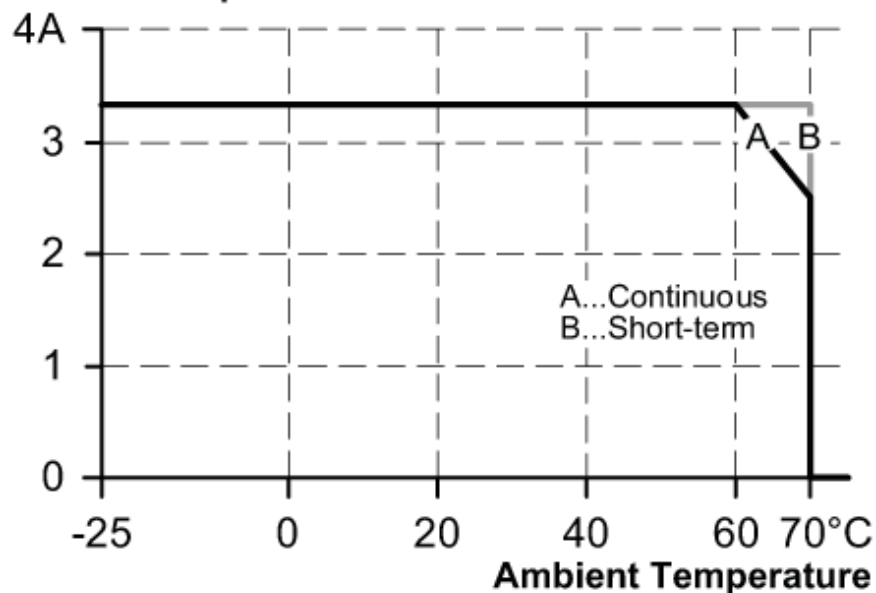


## Switched-mode power supply 24 V DC

PSU-1AC/24VDC-3,3A

characteristic line for derating

### Allowed Output Current at 24V



characteristic line for mains buffering time

### Hold-up Time at 24V

