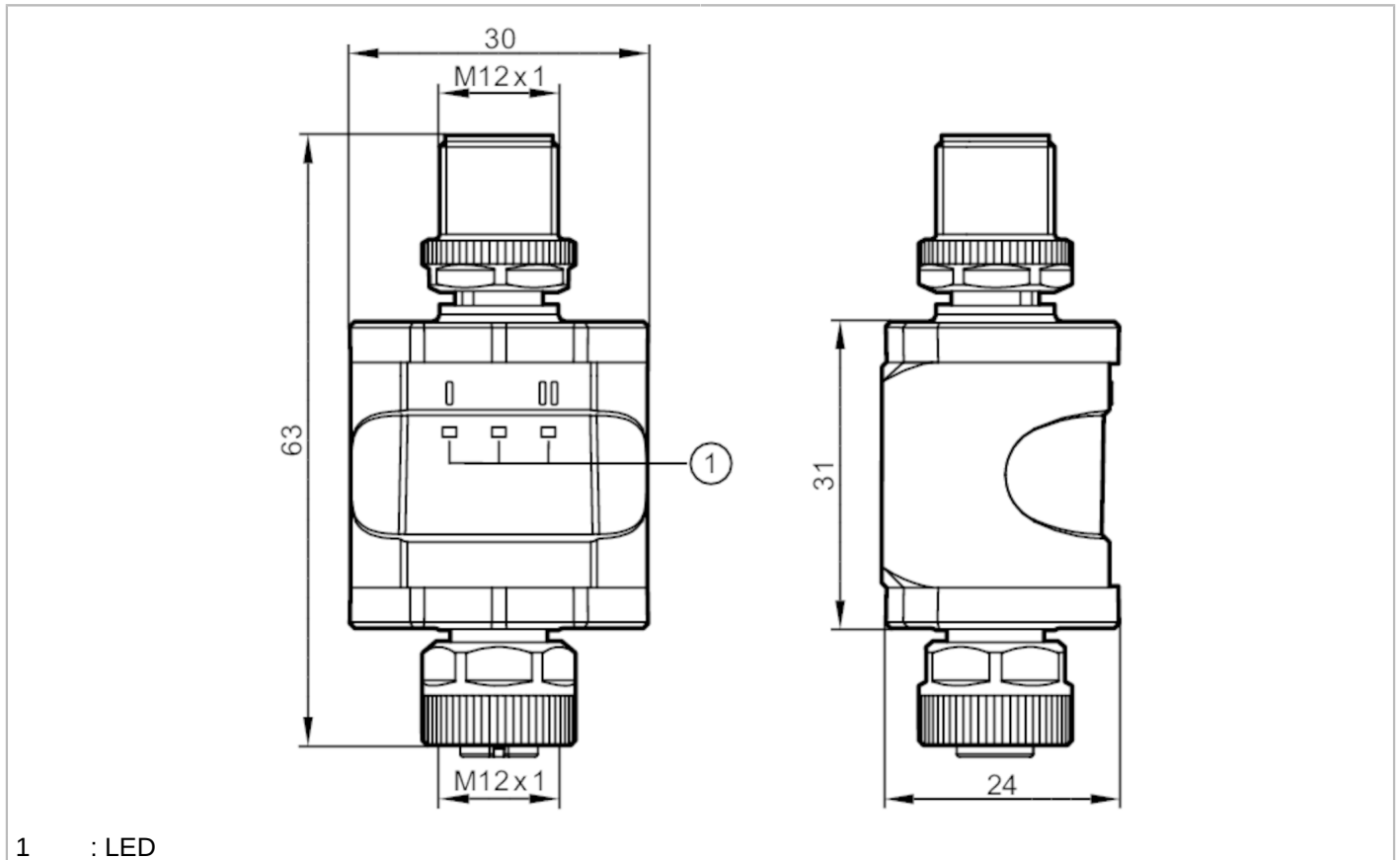


DP1213



Converter IO-Link - 4...20 mA

Converter IO-Link/2x4-20mA



Product characteristics

Number of inputs and outputs Number of analogue outputs: 2

Electrical data

| | | |
|-------------------------|------|----------------------------|
| Operating voltage | [V] | 18...30 DC; (to SELV/PELV) |
| Nominal voltage DC | [V] | 24 |
| Current consumption | [mA] | 300 |
| Max. current load total | [A] | 0.2 |

Inputs / outputs

Number of inputs and outputs Number of analogue outputs: 2

Outputs

| | | |
|----------------------------|------|--------|
| Number of analogue outputs | | 2 |
| Analogue current output | [mA] | 4...20 |
| Max. load | [Ω] | 300 |
| Precision analogue output | [%] | 0,25 |

DP1213



Converter IO-Link - 4...20 mA

Converter IO-Link/2x4-20mA

| Interfaces | | |
|------------------------------|-------------------|----------|
| Communication interface | IO-Link | |
| Transmission type | COM2 (38,4 kBaud) | |
| IO-Link revision | 1.1 | |
| SDCI standard | IEC 61131-9 | |
| Profiles | Smart Sensor | |
| SIO mode | no | |
| Required master port type | A/B | |
| Process data analogue | 2 | |
| Min. process cycle time [ms] | 3.6 | |
| Supported DeviceIDs | Type of operation | DeviceID |
| | Default | 612 |

| Operating conditions | | |
|---------------------------------|--|--|
| Ambient temperature [°C] | -25...70 | |
| Storage temperature [°C] | -25...70 | |
| Max. relative air humidity [%] | 90; (linearly decreasing to 50 % (40 °C) non condensing) | |
| Max. height above sea level [m] | 4000 | |
| Protection | IP 67 | |
| Degree of soiling | 2 | |

| Tests / approvals | | |
|-------------------|-----|--|
| MTTF [years] | 352 | |

| Mechanical data | | |
|-----------------|---------------|--|
| Weight [g] | 91.5 | |
| Materials | PA: polyamide | |

| Displays / operating elements | | |
|-------------------------------|-----------------|-----------------|
| Display | operation | 1 x LED, green |
| | analogue output | 2 x LED, yellow |

| Accessories | | |
|------------------------|---------------|--|
| Accessories (optional) | mounting clip | |

| Remarks | | |
|---------------|--|--|
| Remarks | For further information please see the operating instructions. | |
| Pack quantity | 1 pcs. | |

| Electrical connection - plug | | |
|---|--|--|
|  | | |

DP1213

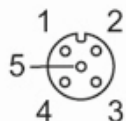


Converter IO-Link - 4...20 mA

Converter IO-Link/2x4-20mA

| | |
|----|-------------|
| 1: | L+ |
| 2: | not used |
| 3: | L- |
| 4: | C/Q IO-Link |

Electrical connection - socket



| | |
|----|-----------------------------|
| 1: | L+ |
| 2: | 4...20 mA analogue output 2 |
| 3: | L- |
| 4: | 4...20 mA analogue output 1 |
| 5: | not used |