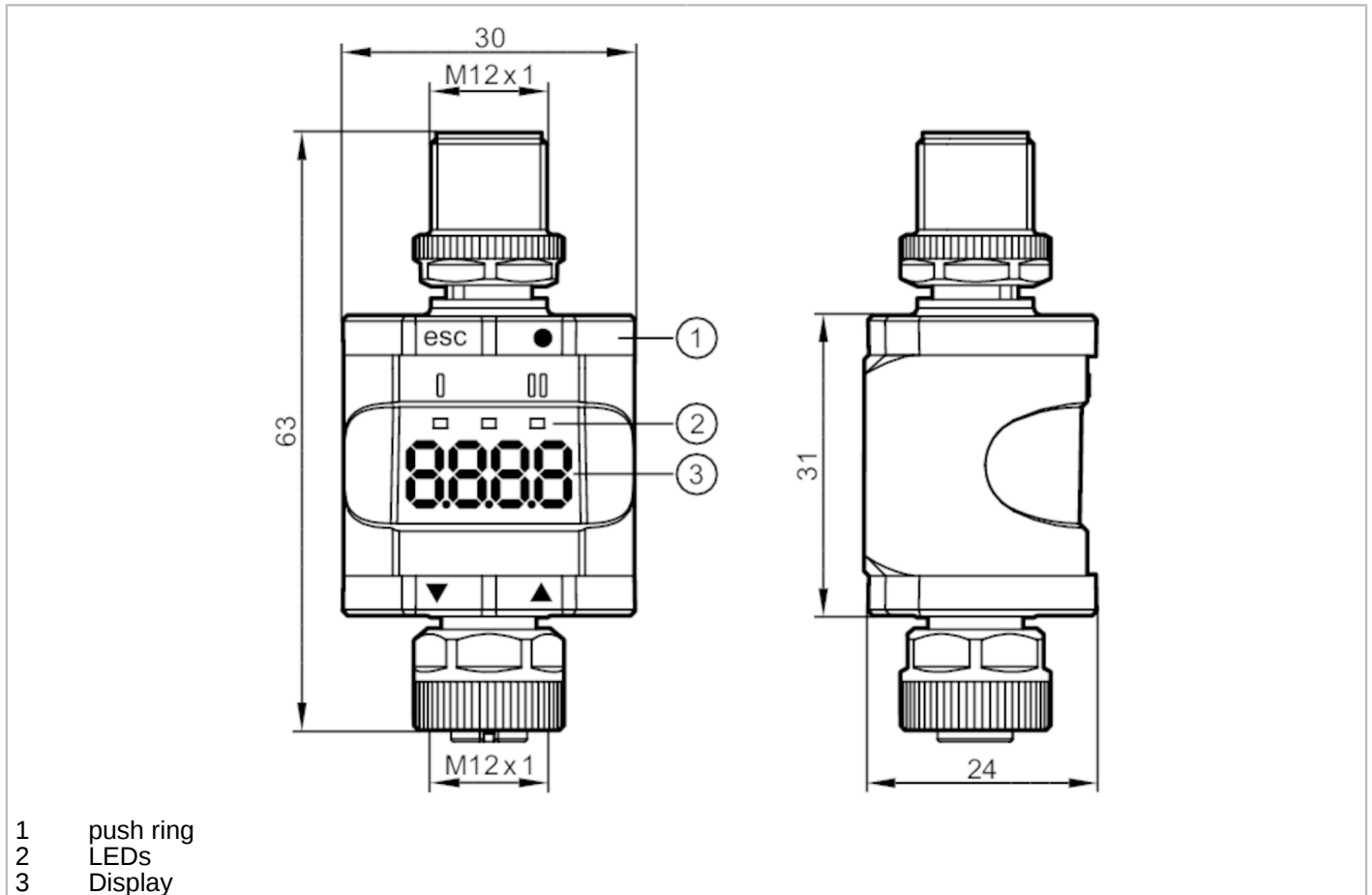


# DP2200



## Evaluation system and display for analogue signals

Analog Threshold Displ./4-20mA



Application	
Application	decentralised display, preprocessing and conversion of analogue signals
Electrical data	
Operating voltage [V]	18...30 DC; (to SELV/PELV)
Nominal voltage DC [V]	24
Current consumption [mA]	30...830; (24 V DC, full load)
Inputs / outputs	
Number of inputs and outputs	Number of analogue inputs: 1; Number of digital outputs: 1
Inputs	
Sensor supply of the inputs	24 V DC
Number of analogue inputs	1
Analogue input (current) [mA]	4...20



## Evaluation system and display for analogue signals

Analog Threshold Displ./4-20mA

Outputs		
Number of digital outputs		1
Voltage range DC	[V]	10...30
Output function		normally open / normally closed; (parameterisable)
Max. current load per output	[mA]	50
Analogue current output	[mA]	4...20
Precision analogue output	[%]	0,5
Resolution of analogue output		10 Bit
Accuracy / deviations		
Measuring error		0,5
	[% of the final value]	
Interfaces		
Communication interface		IO-Link
Supported DeviceIDs	Type of operation	DeviceID
	Default	610
IO-Link Device		
Transmission type		COM2 (38,4 kBaud)
IO-Link revision		1.1
SDCI standard		IEC 61131-9
Profiles		Smart Sensor
SIO mode		yes
Required master port type		A
Process data analogue		1
Process data binary		1
Min. process cycle time	[ms]	3
Operating conditions		
Ambient temperature	[°C]	-25...60
Storage temperature	[°C]	-25...70
Max. relative air humidity	[%]	90; (linearly decreasing to 50 % (40 °C); non condensing)
Max. height above sea level	[m]	2000
Protection		IP 67
Tests / approvals		
MTTF	[years]	373
UL approval		File number UL E205959
Mechanical data		
Weight	[g]	108
Dimensions	[mm]	63 x 30 x 24
Materials		PA



## Evaluation system and display for analogue signals

Analog Threshold Displ./4-20mA

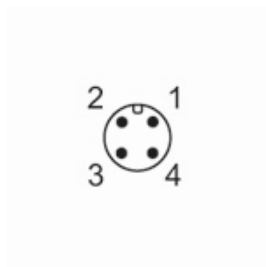
Displays / operating elements		
Display	switching status	LED, yellow
	operation	LED, green
		7-segment LED display, red/ green 4-digit parameterisable
		digit height 6,8 mm
		digit width 3,8 mm

Accessories	
Accessories (optional)	mounting clip

Remarks	
Remarks	For further information please see the operating instructions.
Pack quantity	1 pcs.

### Electrical connection - plug

Connector: M12

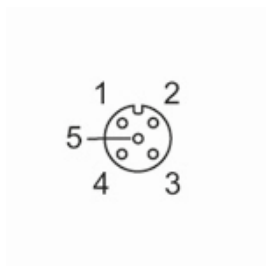


### Connection

1	L+ supply
2	OUT2 analogue output
3	L- supply
4	OUT1 IO-Link (C/Q)

### Electrical connection - socket

Connector: M12



### Connection

1	L+ Sensor supply
2	4...20 mA analogue input
3	L- Sensor supply
4	not used
5	not used