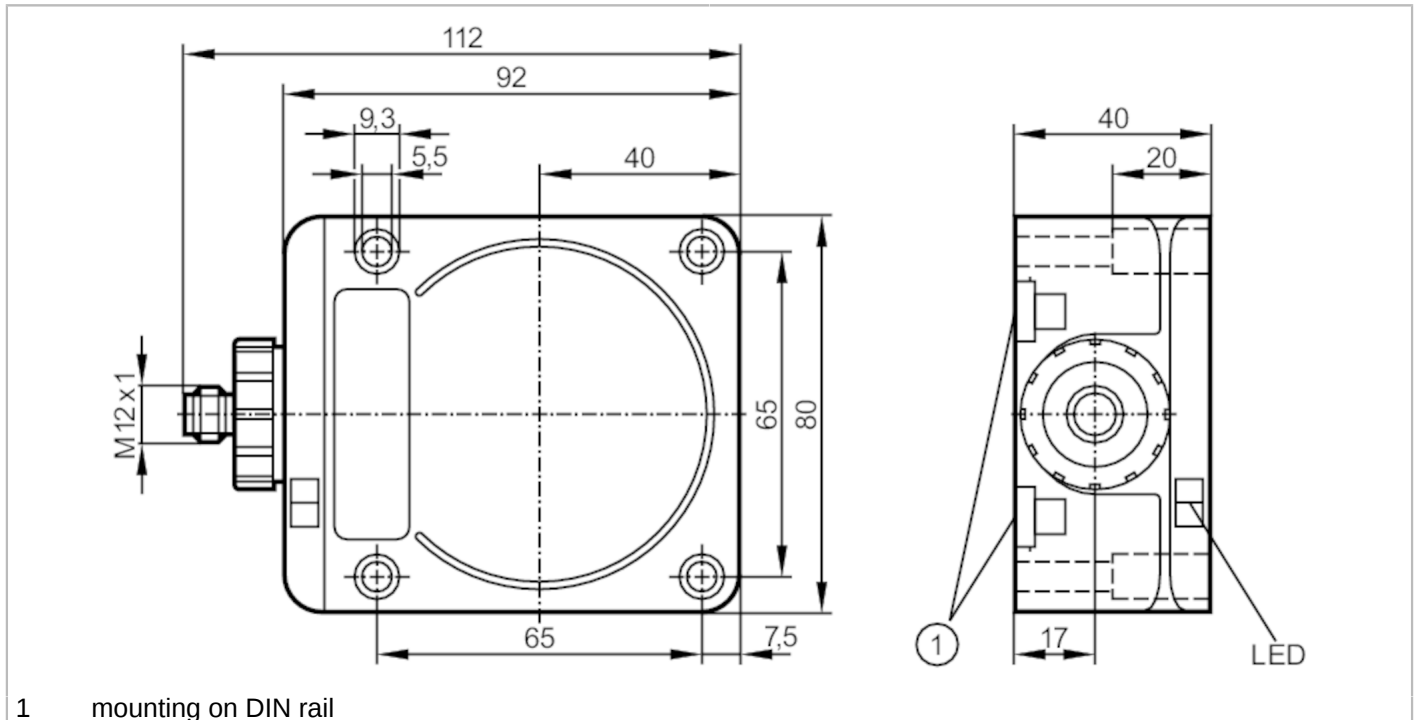


# DTA300



## RFID read head with AS-Interface

DTSLF DCRWASUS01



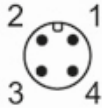
Application		
Application	detection of objects on transport equipment	
Radio approval for	EU; USA; Canada; Australia; Singapore	
Electrical data		
Operating voltage [V]	26.5...31.6 DC	
Current consumption [mA]	< 65	
Protection class	III	
Operating frequency [MHz]	0,125	
Outputs		
Electrical design	AS-i	
Detection zone		
Travel speed [m/s]	< 0.5	
Distance read/read head front	400	
Distance read/read head side	280	
Note on distance read/read head	referred to	:
	Read/write head	DTA300
	Read head	DTA301
Distance write/read head front [mm]	500	
Distance write/read head side [mm]	500	
Note on distance write/read head	referred to	:
	Read/write head	DTA300
	Read head	DTA301
Distance to the ID tag [mm]	read	≤ 80
	static	

# DTA300



## RFID read head with AS-Interface

DTSLF DCRWASUS01

Interfaces		
Communication interface		AS-i
Operating conditions		
Ambient temperature	[°C]	-20...60
Storage temperature	[°C]	-25...80
Protection		IP 67
Tests / approvals		
EMC	EN 50295	1999-03
Shock resistance	EN 60068-2-29	40 g 6 ms
	EN 60068-2-27	50 g 11 ms
Vibration resistance	EN 60068-2-6	20 g 10...55 Hz
MTTF	[years]	422
AS-i classification		
AS-i I/O configuration	[hex]	7
AS-i ID code	[hex]	4
AS-i certificate		83401
Mechanical data		
Weight	[g]	414
Housing		rectangular
Dimensions	[mm]	92 x 80 x 40
Materials		housing: PPE; metal parts: diecast zinc / brass nickel-plated
Displays / operating elements		
Display	Operating voltage	1 x LED, green
	tag communication	1 x LED, yellow
	error AS-i data communication	1 x LED, red
Remarks		
Remarks		For the distances to other ID tags see the respective data sheet (E803xx)
Pack quantity		1 pcs.
Electrical connection		
Connector: 1 x M12, rotatable		
		

# DTA300



## RFID read head with AS-Interface

DTSLF DCRWASUS01

### Connection

