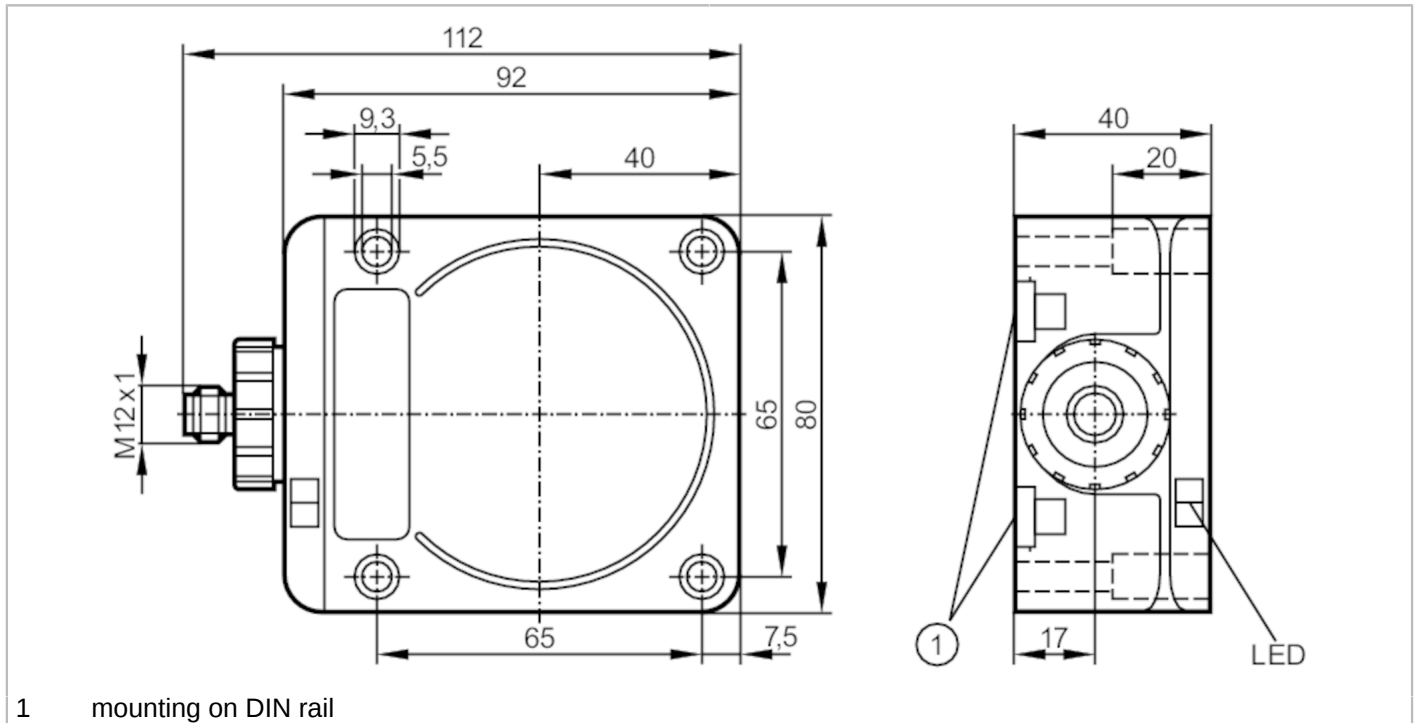


DTA301



RFID read/write head with AS-Interface

DTSLF DCROASUS01



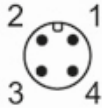
| Application | | | |
|-------------------------------------|---|---|--------|
| Application | detection of objects on transport equipment | | |
| Radio approval for | EU; USA; Canada; Australia; Singapore | | |
| Electrical data | | | |
| Operating voltage [V] | 26.5...31.6 DC; (operating voltage "supply class 2" according to cULus) | | |
| Current consumption [mA] | < 65 | | |
| Protection class | III | | |
| Operating frequency [MHz] | 0,125 | | |
| Outputs | | | |
| Electrical design | AS-i | | |
| Detection zone | | | |
| Travel speed [m/s] | < 0.5 | | |
| Distance read/read head front | 400 | | |
| Distance read/read head side | 280 | | |
| Note on distance read/read head | referred to | : | |
| | Read/write head | | DTA300 |
| | Read head | | DTA301 |
| Distance write/read head front [mm] | 500 | | |
| Distance write/read head side [mm] | 500 | | |
| Note on distance write/read head | referred to | : | |
| | Read/write head | | DTA300 |
| | Read head | | DTA301 |
| Distance to the ID tag [mm] | read | : | ≤ 80 |
| | static | | |

DTA301



RFID read/write head with AS-Interface

DTSLF DCROASUS01

| Interfaces | | |
|---|-------------------------------|---|
| Communication interface | | AS-i |
| Operating conditions | | |
| Ambient temperature | [°C] | -20...60 |
| Storage temperature | [°C] | -25...80 |
| Protection | | IP 67 |
| Tests / approvals | | |
| EMC | EN 50295 | 1999-03 |
| Shock resistance | EN 60068-2-29 | 40 g 6 ms |
| | EN 60068-2-27 | 50 g 11 ms |
| Vibration resistance | EN 60068-2-6 | 20 g 10...55 Hz |
| MTTF | [years] | 422 |
| AS-i classification | | |
| AS-i I/O configuration | [hex] | 7 |
| AS-i ID code | [hex] | 3 |
| AS-i certificate | | 83501 |
| Mechanical data | | |
| Weight | [g] | 413.5 |
| Housing | | rectangular |
| Dimensions | [mm] | 92 x 80 x 40 |
| Materials | | housing: PPE; metal parts: diecast zinc / brass nickel-plated |
| Displays / operating elements | | |
| Display | Operating voltage | 1 x LED, green |
| | tag communication | 1 x LED, yellow |
| | error AS-i data communication | 1 x LED, red |
| Remarks | | |
| Remarks | | For the distances to other ID tags see the respective data sheet (E803xx) |
| Pack quantity | | 1 pcs. |
| Electrical connection | | |
| Connector: 1 x M12, rotatable | | |
|  | | |

DTA301



RFID read/write head with AS-Interface

DTSLF DCROASUS01

Connection

