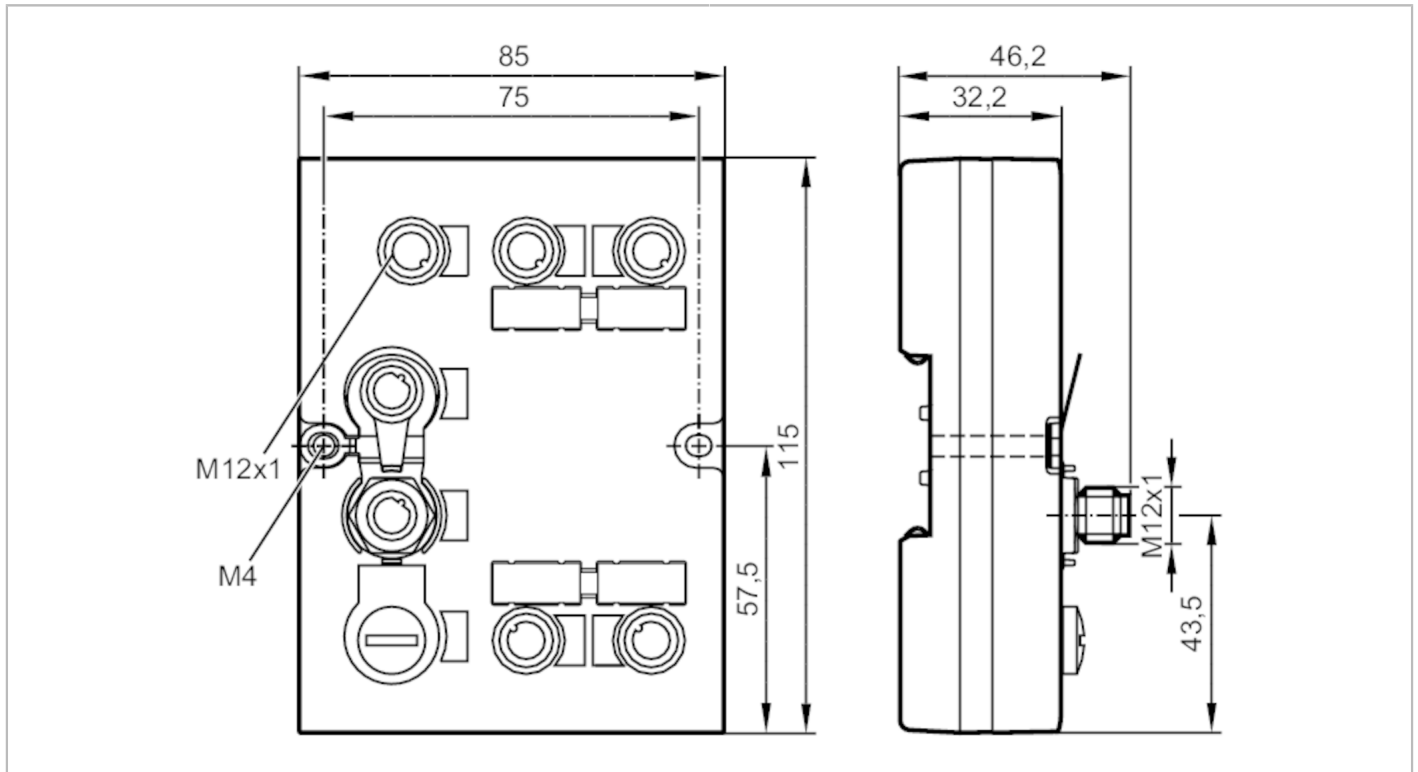


# DTE104



## RFID evaluation unit LF/HF

DTELF/HFABRWENUS00



Electrical data		
Operating voltage [V]	18...30 DC	
Current consumption [mA]	< 3000	
Outputs		
Max. current load per output [mA]	500; (IO 1,2; IO 3,4: 1000 mA)	
Interfaces		
Communication interface	Ethernet	
Factory settings	IP address: 192.168.0.79	
	subnet mask: 255.255.255.0	
	gateway IP address: 192.168.0.100	
Ethernet - TCP/IP		
Protocol	TCP/IP	
Operating conditions		
Ambient temperature [°C]	-20...60	
Storage temperature [°C]	-20...85	
Protection	IP 67	
Tests / approvals		
Shock resistance	IEC 60028-2-27	15 g 11 ms
Vibration resistance	IEC 60028-2-6	±1.6 mm (17...18 Hz) / 2 g (10...150 Hz)
MTTF [years]		108.28

# DTE104



## RFID evaluation unit LF/HF

DTELF/HFABRWENUS00

### Mechanical data

Weight	[g]	389
Dimensions	[mm]	115 x 46.2 x 85
Materials		upper part: PA Grivory GV5H orange; upper part: TPE; lower part: GD-ALSi12

### Displays / operating elements

Display	voltage supply	1 x LED, green
		1 x LED, yellow
	Ethernet TCP/IP	2 x LED, red/green
	Ethernet	1 x LED, green
		1 x LED, yellow
	Inputs / outputs	1 x LED, green
		1 x LED, yellow

### Accessories

Items supplied	Protective cap: M12, E73004
----------------	-----------------------------

### Remarks

Pack quantity	1 pcs.
---------------	--------

### Electrical connection - Ethernet

Connector: 2 x M12

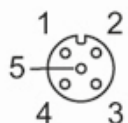


### Port 1/2

1	TD+
2	RD+
3	TD-
4	RD-

### Electrical connection - Process connection

Connector: 4 x M12



# DTE104



## RFID evaluation unit LF/HF

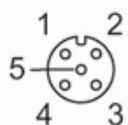
DTELF/HFABRWENUS00

### IO 1...4

1	L+
2	IN (I/Q)
3	L-
4	OUT (C/Qo); IN (C/Qi)
5	n.c.

### Electrical connection - voltage supply

Connector: 1 x M12



### AUX

1	24 V DC
2	n.c.
3	0 V
4	n.c.
5	n.c.