

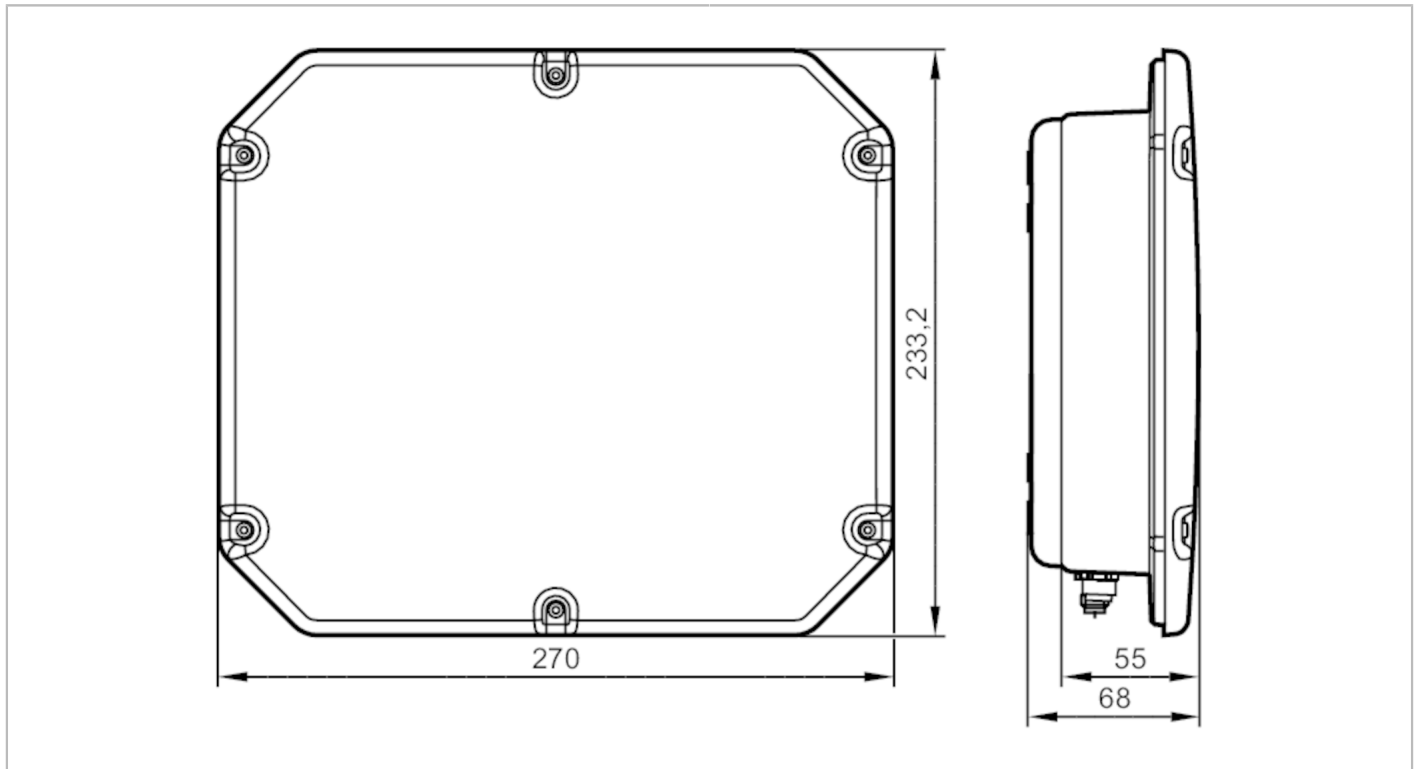
DTE910



RFID evaluation unit UHF

DTEUHFEA_ABRWEIUS04

Article no longer available - archive entry



Application	
Radio approval for	USA; Canada; Indonesia
Electrical data	
Operating voltage [V]	24 DC
Current consumption [mA]	700
Operating frequency [MHz]	902...928 (FCC); (Singapore: 920...925 MHz The operating frequency is activated by setting the communication standard to Singapore.)
Antenna connections	4; (TNC Reverse)
RFID standard	EPC Class1 GEN2/ISO 18000-6C
Transmission power ERP [mW]	2000; (Singapore: ≤ 676 mW ERP The transmitter power must be limited manually by the user.)
Impedance [Ω]	50
Inputs / outputs	
Number of inputs and outputs	Number of digital inputs: 4; Number of digital outputs: 4
Inputs	
Number of digital inputs	4
Outputs	
Number of digital outputs	4
Max. current load per output [mA]	500
Software / programming	
Parameter setting options	Software

DTE910



RFID evaluation unit UHF

DTEUHFEA_ABRWEIUS04

Interfaces		
Communication interface		Ethernet
Ethernet		
Protocol		TCP/IP; IP
Operating conditions		
Ambient temperature	[°C]	-25...55
Storage temperature	[°C]	-25...85
Protection		IP 65
Mechanical data		
Weight	[g]	3125
Housing		rectangular
Dimensions	[mm]	233.5 x 270 x 68
Materials		housing: aluminium; Protective cover: plastics; TNC socket: brass / PTFE; connector: brass / plastic
Displays / operating elements		
Display	operation	1 x LED, red/green
Remarks		
Pack quantity		1 pcs.

Electrical connection - Ethernet

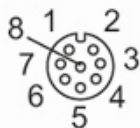
Connector: 1 x M12



1	TD+
2	RD+
3	TD-
4	RD-

Electrical connection - Process connection

Connector: 1 x M12



DTE910



RFID evaluation unit UHF

DTEUHFEA_ABRWEIUS04

1	switching output CMN
2	switching input 3 / switching input 0
3	switching input CMN
4	0 V
5	U+
6	switching output 3 / switching output 1
7	switching output 2 / switching output 0
8	switching input 2 / switching input 1

Electrical connection - supply

Connector: 1 x M12



1	U+
2	n.c.
3	0 V
4	n.c.